

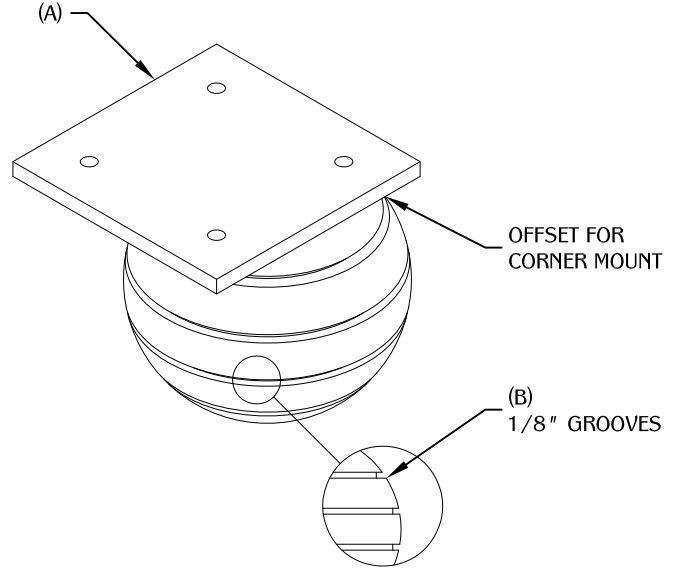
Select One:

(A.) FL22 Diameter

- |  |  |
|--|--|
| <input type="checkbox"/> FL22A = 2" DIA.<br>Top plate = 3" SQ.     | <input type="checkbox"/> FL22D = 3-1/2" DIA.<br>Top plate = 4" SQ. |
| <input type="checkbox"/> FL22B = 2-1/2" DIA.<br>Top plate = 3" SQ. | <input type="checkbox"/> FL22E = 4" DIA.<br>Top plate = 4" SQ.     |
| <input type="checkbox"/> FL22C = 3" DIA.<br>Top plate = 4" SQ.     | <input type="checkbox"/> FL22F = 5" DIA.<br>Top plate = 4" SQ.     |

(B.) Number of Grooves

- |       |                            |                            |                            |                            |                            |
|-------|----------------------------|----------------------------|----------------------------|----------------------------|----------------------------|
| FL22A | <input type="checkbox"/> 2 | <input type="checkbox"/> 3 | <input type="checkbox"/> 4 |                            |                            |
| FL22B | <input type="checkbox"/> 2 | <input type="checkbox"/> 3 | <input type="checkbox"/> 4 | <input type="checkbox"/> 5 |                            |
| FL22C | <input type="checkbox"/> 3 | <input type="checkbox"/> 4 | <input type="checkbox"/> 5 | <input type="checkbox"/> 6 | <input type="checkbox"/> 7 |
| FL22D | <input type="checkbox"/> 3 | <input type="checkbox"/> 4 | <input type="checkbox"/> 5 | <input type="checkbox"/> 6 | <input type="checkbox"/> 7 |
| FL22E | <input type="checkbox"/> 4 | <input type="checkbox"/> 5 | <input type="checkbox"/> 6 | <input type="checkbox"/> 7 |                            |
| FL22F | <input type="checkbox"/> 4 | <input type="checkbox"/> 5 | <input type="checkbox"/> 6 | <input type="checkbox"/> 7 |                            |



\*\* Leveling mechanism located in top plate.

(C.) Finish

- |                                |                                     |   |
|--------------------------------|-------------------------------------|---|
| <input type="checkbox"/> Black | <input type="checkbox"/> Satin Gray | <input type="checkbox"/> Satin Aluminum |
| <input type="checkbox"/> Other | _____                               |   |
- Specified Finish due to Inquiry pending approval.

(D.) Quantity

Company: \_\_\_\_\_ Phone: \_\_\_\_\_

Contact: \_\_\_\_\_ Fax: \_\_\_\_\_

email: \_\_\_\_\_ Date: \_\_\_\_\_

Signature: \_\_\_\_\_

**(Please note lead time is 5 to 8 weeks.)**

**\*\* *FL22s are made to your specifications and cannot be canceled once production begins.* \*\***