

MOCKETT

DOUG MOCKETT & COMPANY, INC

PO Box 3333

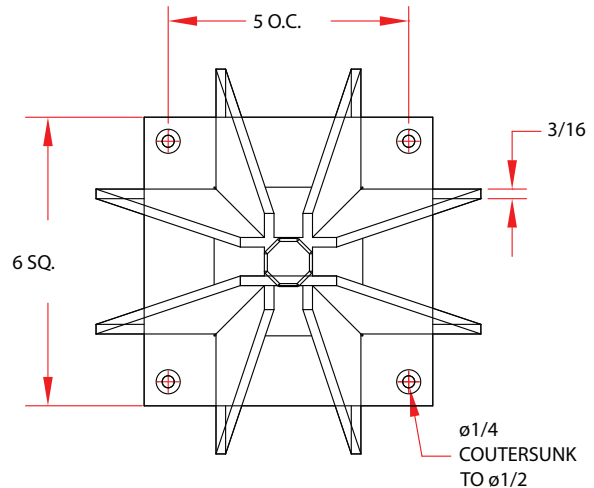
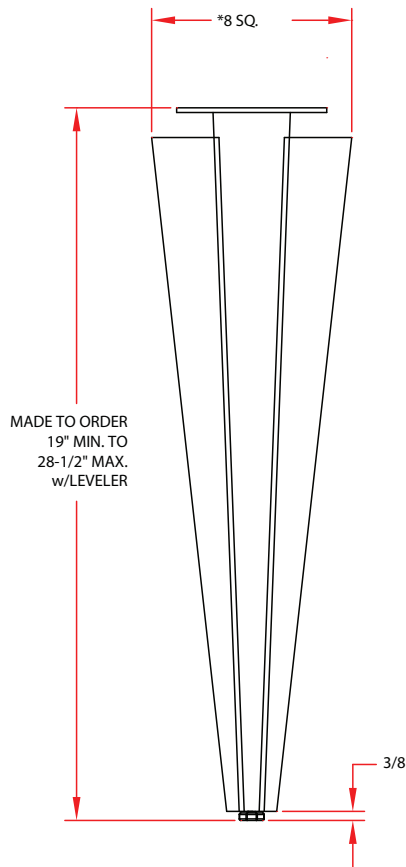
Manhattan Beach, CA 90266

Questions? Please call
(800) 523-1269

Complete form and send it to

custom@mockett.com or fax it to: **(310) 376-7650**

CUSTOM DEPARTMENT FORM - TL66



* These sizes are in reference to the 28-1/2" height leg. These will vary with custom size.

Please allow 6-8 weeks for production

Height

19" - 28-1/2"

Finish

Satin Stainless Steel

* Custom Color:

* Color sample needed to match

Quantity

Company: _____

Phone: _____

Contact: _____

Fax: _____

email: _____

Date: _____

Signature: _____

CREDIT CARD AUTHORIZATION

Visa

Mastercard

American Express

Discover

Cardholder's Name: _____

Credit Card Number: _____ Exp. Date: _____