

# MOCKETT

DOUG MOCKETT & COMPANY, INC

PO Box 3333

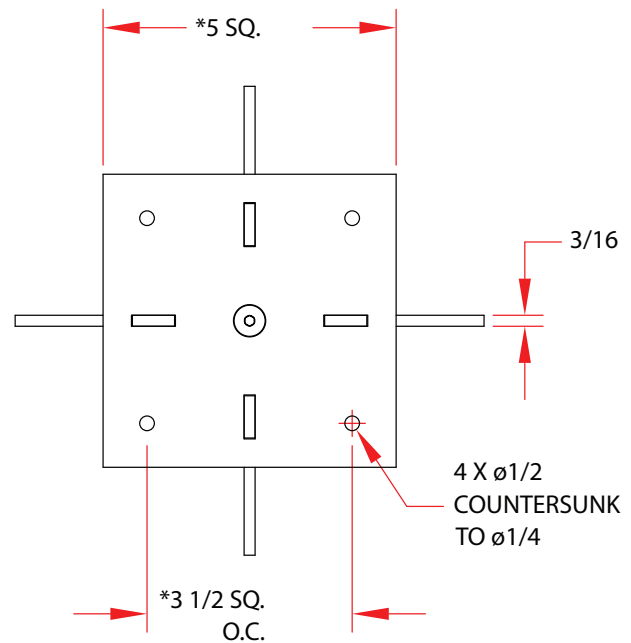
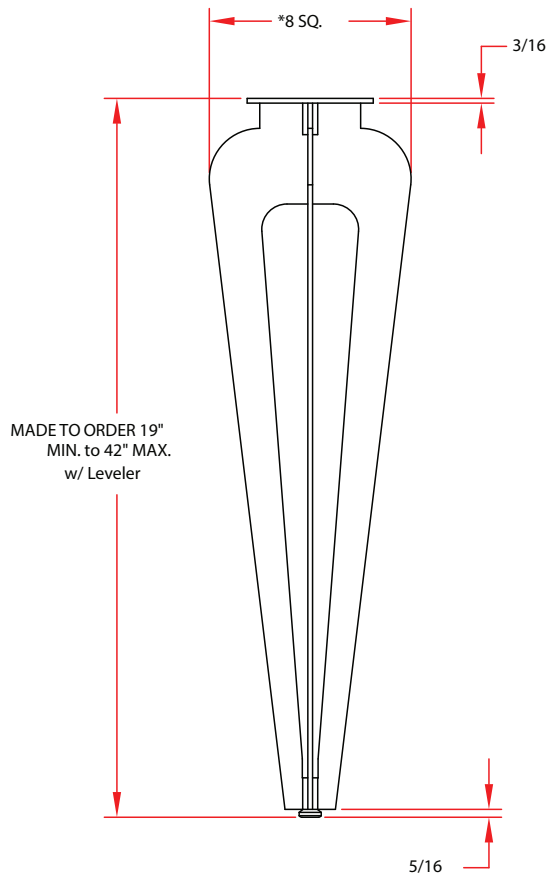
Manhattan Beach, CA 90266

Questions? Please call  
**(800) 523-1269**

Complete form and send it to

**custom@mockett.com** or fax it to: **(310) 376-7650**

## CUSTOM DEPARTMENT FORM - TL63



\* These sizes are in reference to the 28-1/2" height leg. These will vary with custom size.

Please allow 6-8 weeks for production

### Height

A.  
28-1/2"

B.  
Custom Height

### Finish

Polish Stainless Steel

Satin Stainless Steel

\* Custom Color:

\* Color sample needed to match

### Quantity

Company: \_\_\_\_\_

Phone: \_\_\_\_\_

Contact: \_\_\_\_\_

Fax: \_\_\_\_\_

email: \_\_\_\_\_

Date: \_\_\_\_\_

Signature: \_\_\_\_\_

### CREDIT CARD AUTHORIZATION

Visa

Mastecard

American Express

Discover

Cardholder's Name: \_\_\_\_\_

Credit Card Number: \_\_\_\_\_ Exp. Date: \_\_\_\_\_