

Select One:

(A.) Length

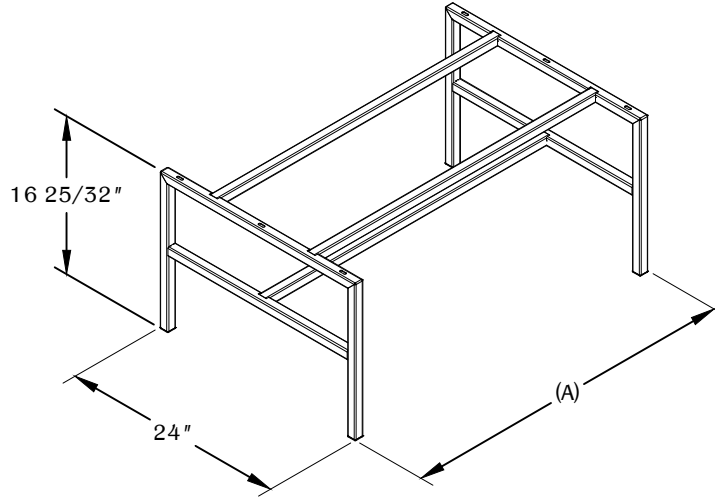
48in

46in

36in

14in

12in



**Weight capacity is 114 lbs.

(B) Finish

Black

Metallic Silver

White

Custom

Specify Finish: _____

Quantity

Company: _____

Phone: _____

Contact: _____

Fax: _____

email: _____

Date: _____

Signature: _____

(Please note lead time is 5 to 8 weeks.)

**** TABLES are made to your specifications and cannot be canceled once production begins. ****