

Select One:

(A.) Length

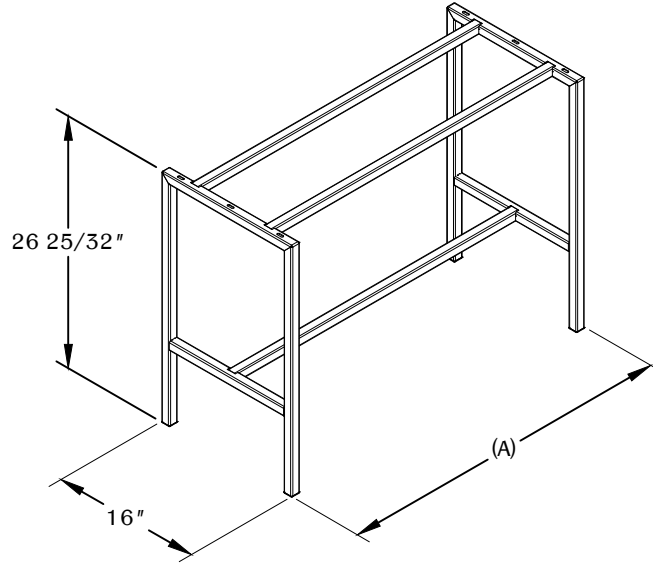
48in

46in

36in

14in

12in



\*\*Weight capacity is 150 lbs.

(B) Finish

Black

Metallic Silver

White

Custom

Specify Finish: \_\_\_\_\_

Quantity

\_\_\_\_\_

Company: \_\_\_\_\_

Phone: \_\_\_\_\_

Contact: \_\_\_\_\_

Fax: \_\_\_\_\_

email: \_\_\_\_\_

Date: \_\_\_\_\_

Signature: \_\_\_\_\_

**(Please note lead time is 5 to 8 weeks.)**

**\*\* TABLES are made to your specifications and cannot be canceled once production begins. \*\***