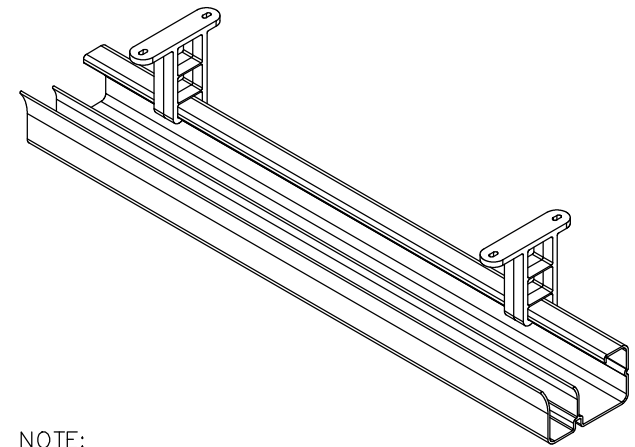
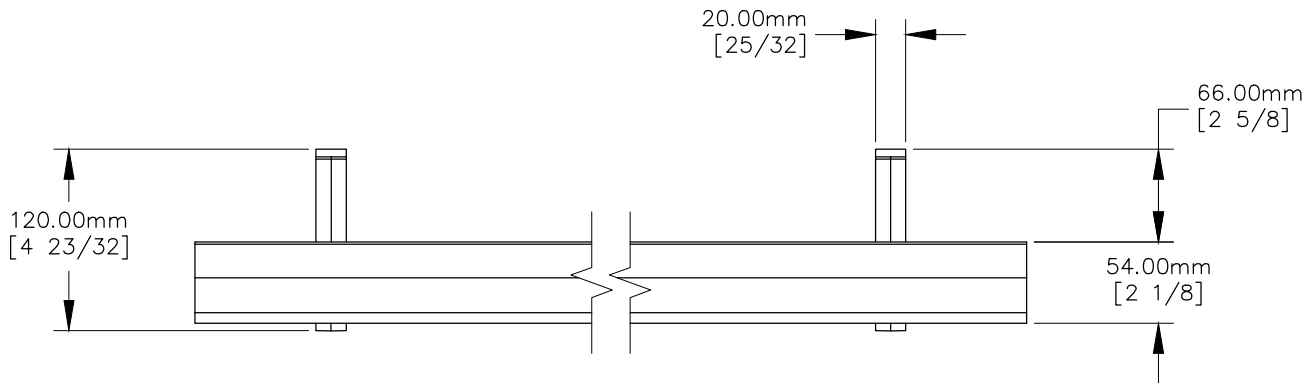


TOP VIEW

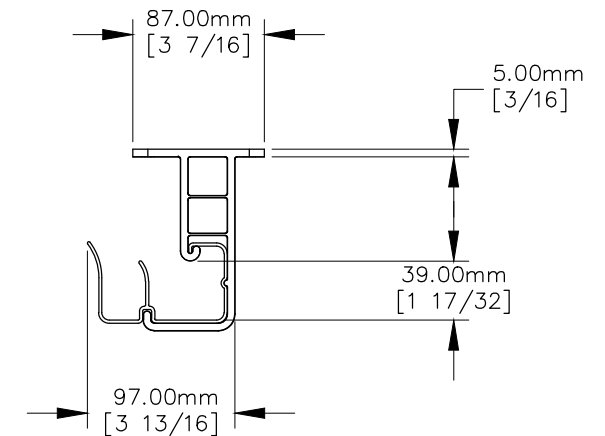


NOTE:

1. Weight capacity is 20 lbs.
2. WM45/Trough length is made to order at 305.00mm [12] MIN. to 1829.00mm [72] MAX.



FRONT VIEW



RIGHT VIEW