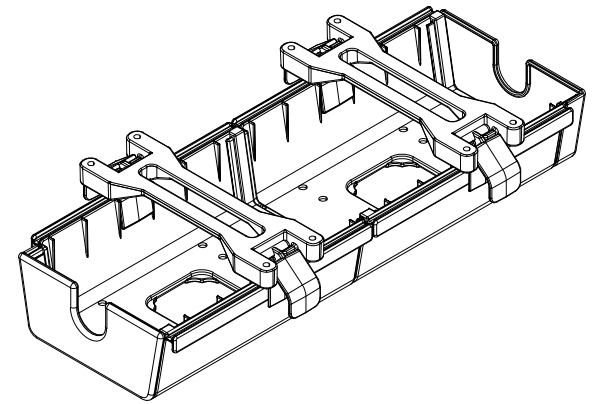
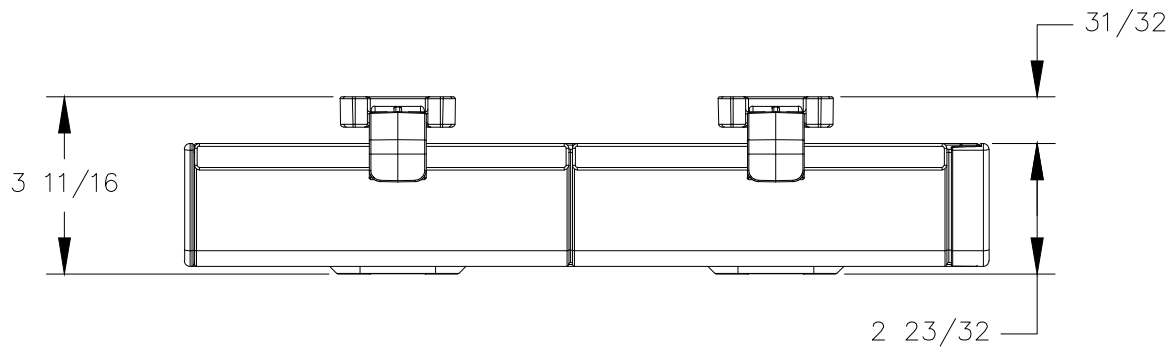


TOP VIEW

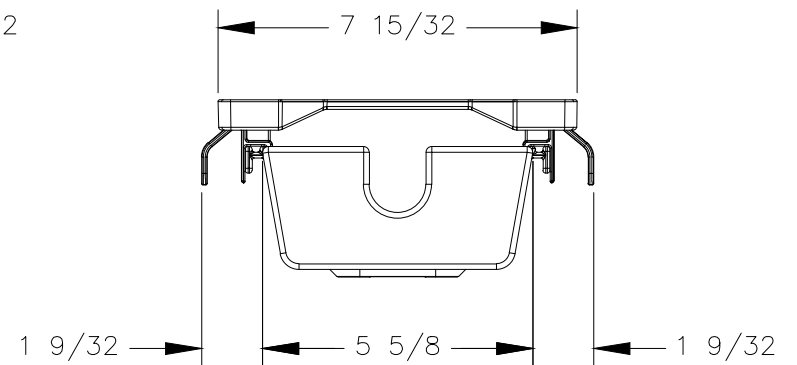


NOTES:

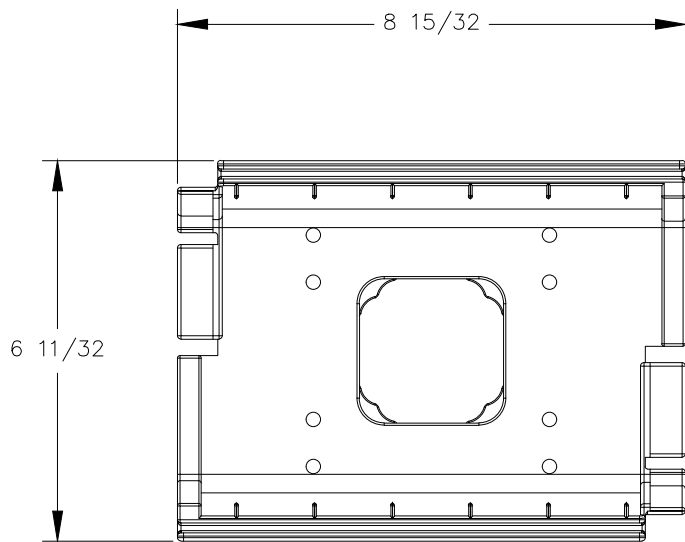
1. Recommended table thickness is 1".



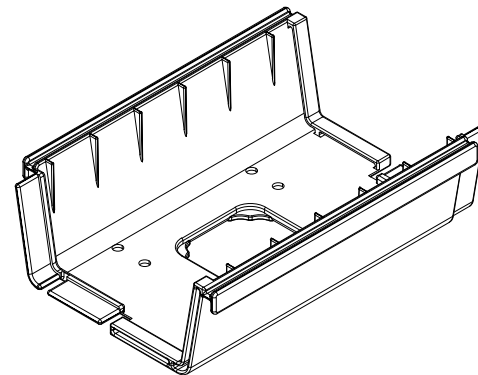
FRONT VIEW



RIGHT VIEW



TOP VIEW

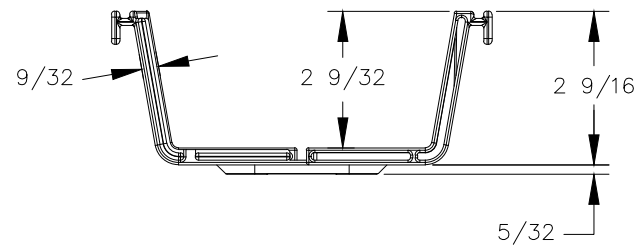


NOTE:

1. WM40 set is required.



FRONT VIEW



RIGHT VIEW