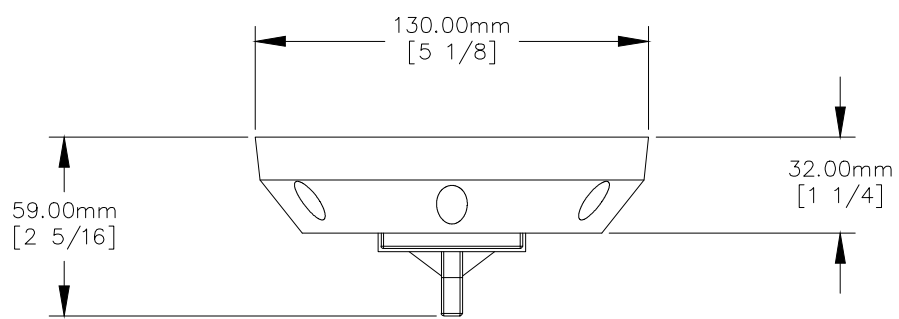


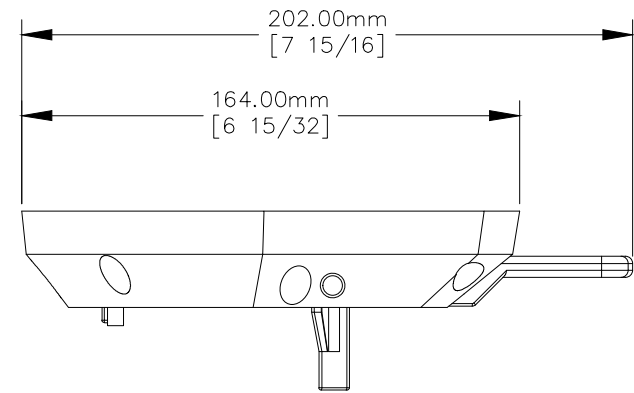
NOTE:

1. 1 MIN. to 2 13/32 MAX. DIA./SQ. leg size.

TOP VIEW



FRONT VIEW



SIDE VIEW



P.O. BOX 3333  
 MANHATTAN BEACH, CA 90266 USA  
 PHONE: 310.318.2491 FAX: 310.376.7650  
 email: info@mockett.com www.mockett.com

PROPRIETARY AND CONFIDENTIAL.  
 ALL DIMENSIONS HAVE A +/- 1/32" TOLERANCE UNLESS OTHERWISE SPECIFIED. WE DO NOT RECOMMEND DRILLING OR CUTTING ANY HOLES BEFORE RECEIVING A PRODUCT OR A PRODUCT SAMPLE.  
 ALL MEASUREMENTS ARE IN INCHES.

PART NAME: TP-FOLD		DRAWN BY: TWR	LAST EDITED: BP	REQUESTED BY: FM	SHEET: 1 OF 1
SCALE: N.T.S.	TOLERANCE: ± 1/16"	DATE: 2022.04.22	DATE: 2022.08.10	12:00am	APPROVED BY: -