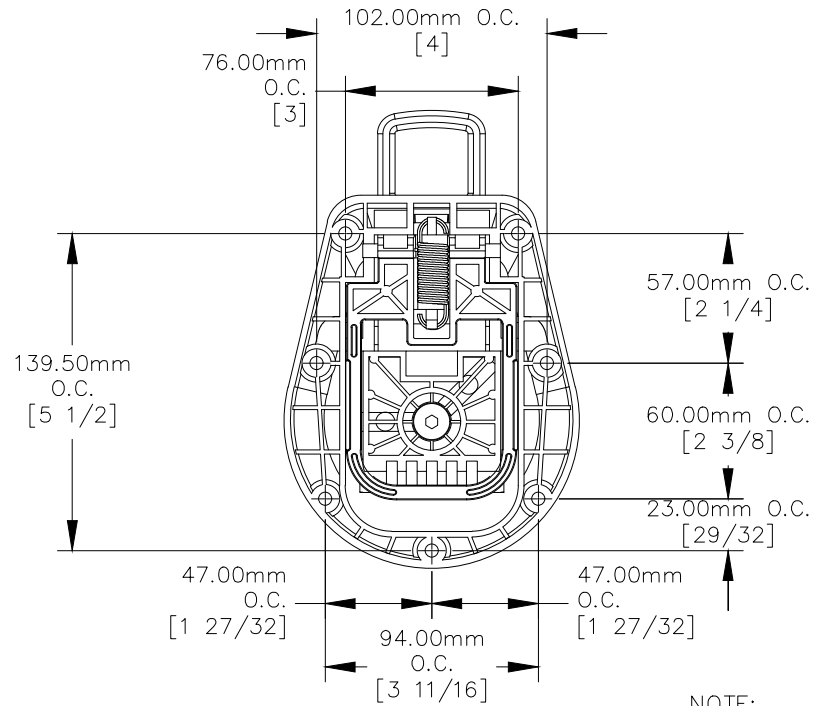
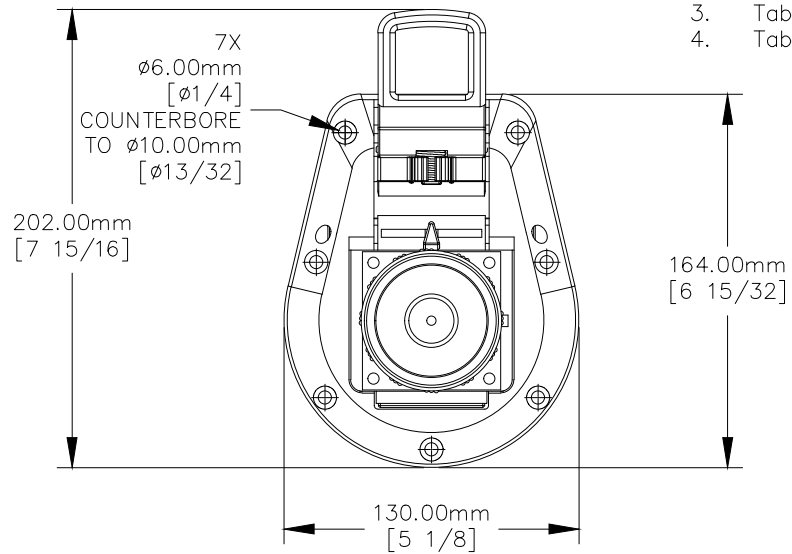


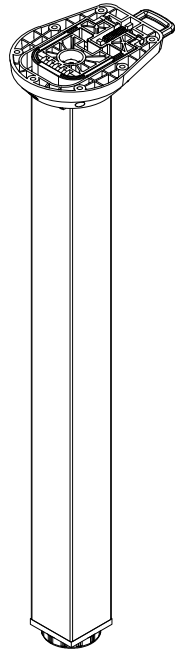
FRONT VIEW



TOP VIEW



BOTTOM VIEW



NOTE:

1. Weight capacity is 200 lbs. per leg.
2. Table thickness is 1 MIN.
3. Table width is 36 MAX.
4. Table length is 72 MAX.