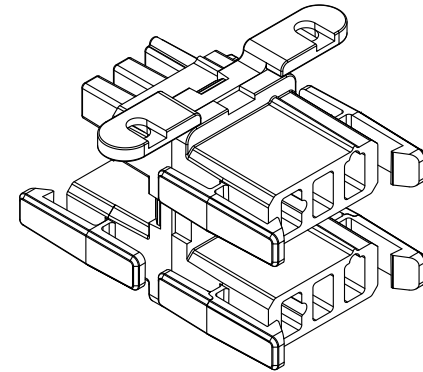
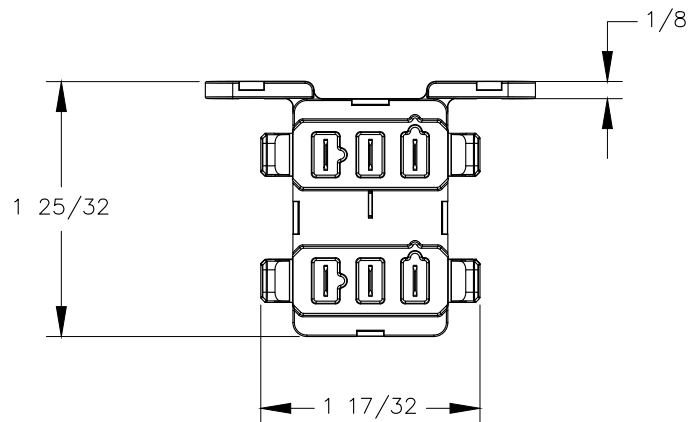


TOP VIEW

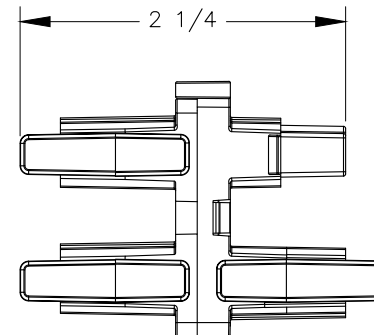


NOTE:

1. For use with PCS99B/UCDC daisy chain unit only.
2. Recommended table thickness 1 MIN.



FRONT VIEW



RIGHT VIEW