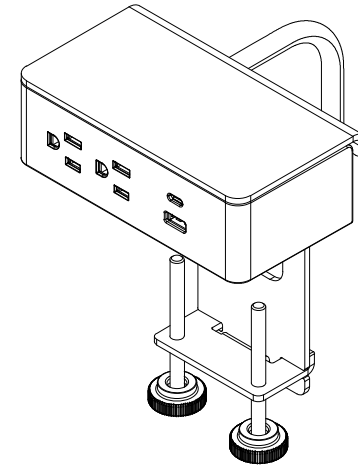
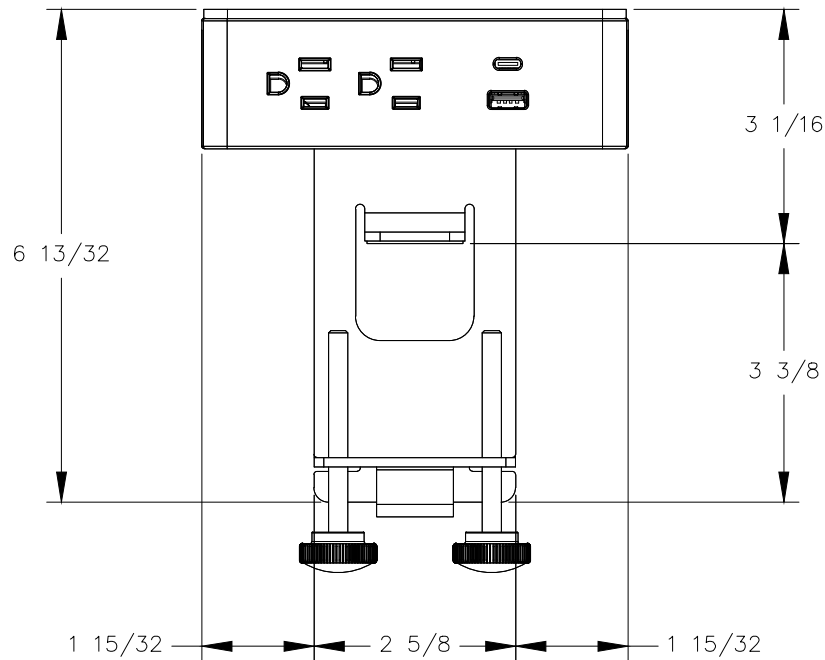


TOP VIEW

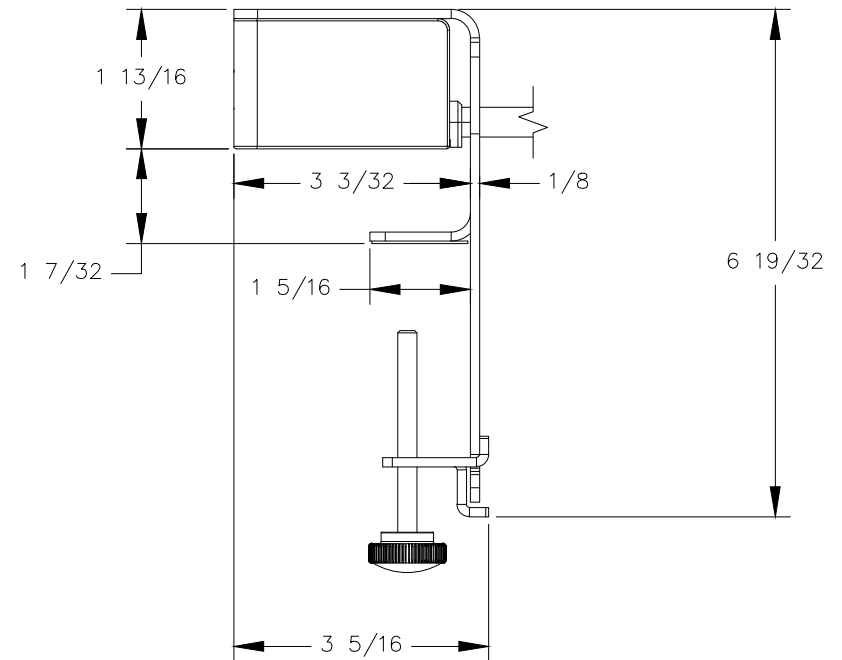


NOTE:

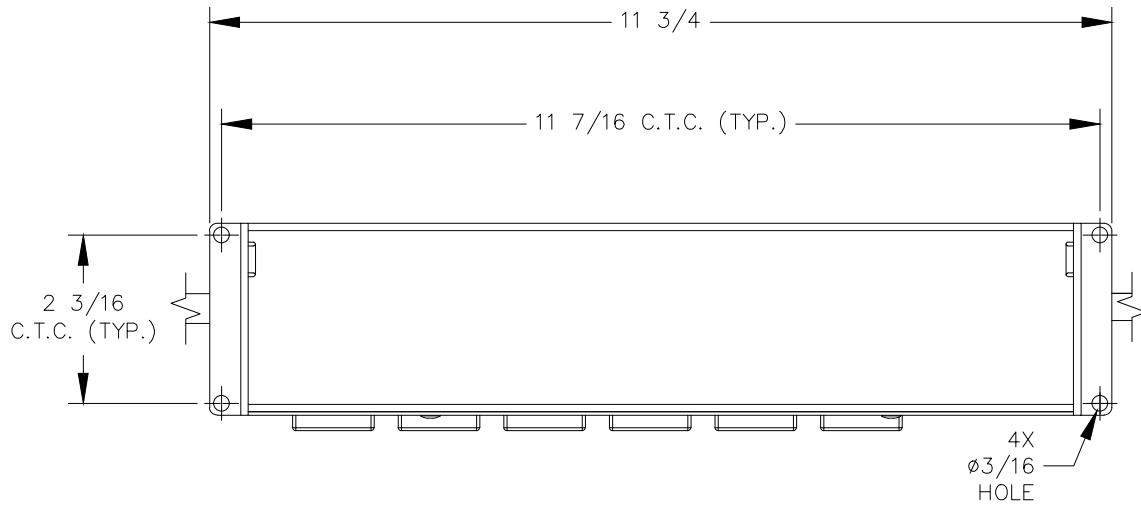
1. 2 ft. cord length between PCS98B and 6PWR.
2. 6 ft. cord length after 6PWR.
3. USB-A and USB-C ports are for charging use only.
4. Table thickness is 3/4 MIN. to 2 1/2 MAX.



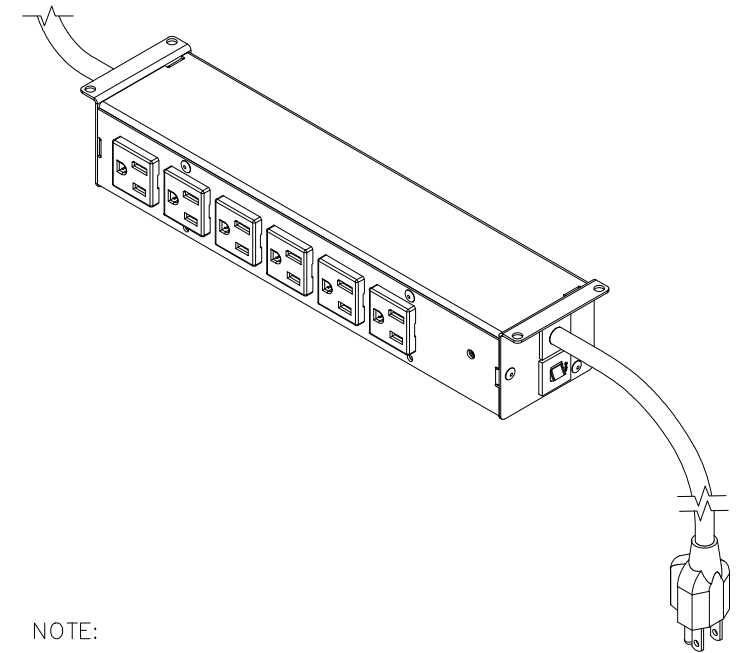
FRONT VIEW



SIDE VIEW

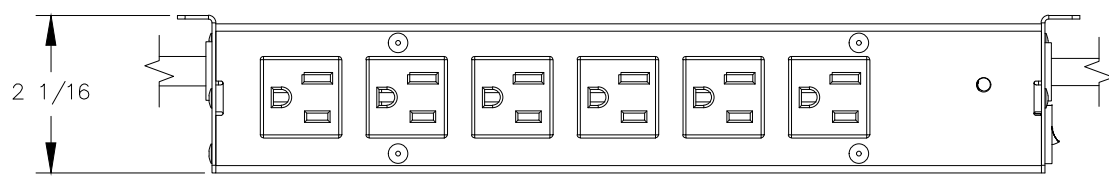


TOP VIEW

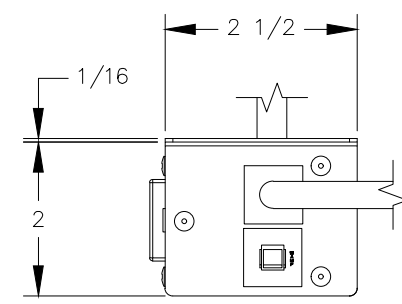


NOTE:

1. 2 ft. cord length between PCS98B and 6PWR.
2. 6 ft. cord length after 6PWR.
3. Table thickness is 3/4 MIN. to 2 1/2 MAX.



FRONT VIEW



SIDE VIEW



P.O. BOX 3333  
 MANHATTAN BEACH, CA 90266 USA  
 PHONE: 310.318.2491 FAX: 310.376.7650  
 email: info@mockett.com www.mockett.com

PROPRIETARY AND CONFIDENTIAL.  
 ALL DIMENSIONS HAVE A +/- 1/32" TOLERANCE UNLESS OTHERWISE SPECIFIED. WE DO NOT RECOMMEND DRILLING OR CUTTING ANY HOLES BEFORE RECEIVING A PRODUCT OR A PRODUCT SAMPLE.

PART NAME: 6PWR		DRAWN BY: BP		LAST EDITED: -		REQUESTED BY: JL		SHEET: 2 OF 2	
SCALE: N.T.S.	TOLERANCE: ± 1 / 16 "	DATE: 2023.11.28	DATE: 0000.00.00	DATE: 12:00am	APPROVED BY: -				