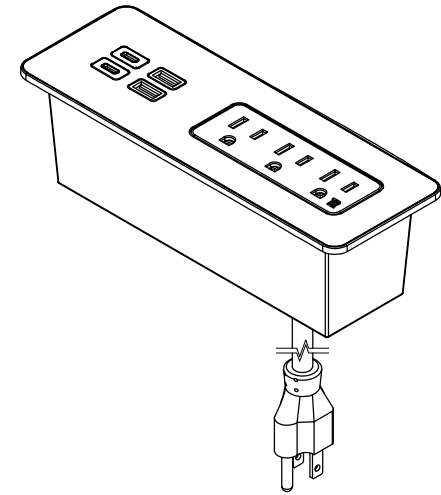
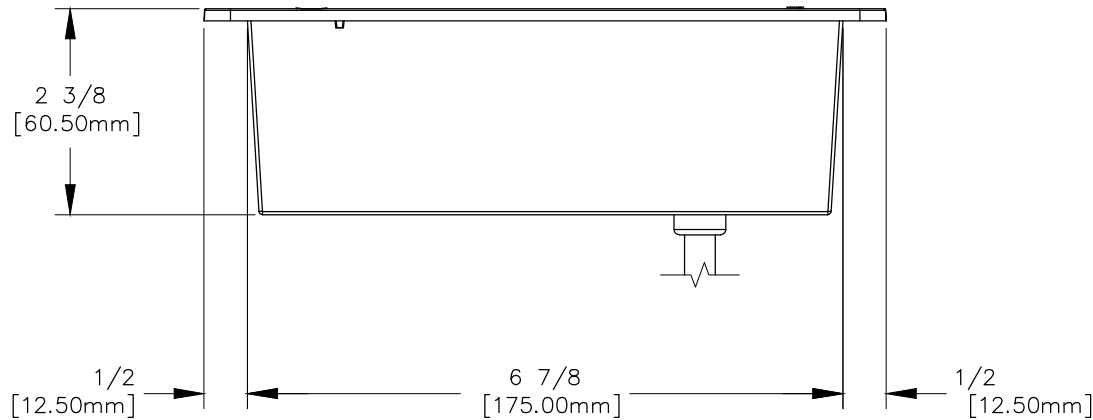


TOP VIEW

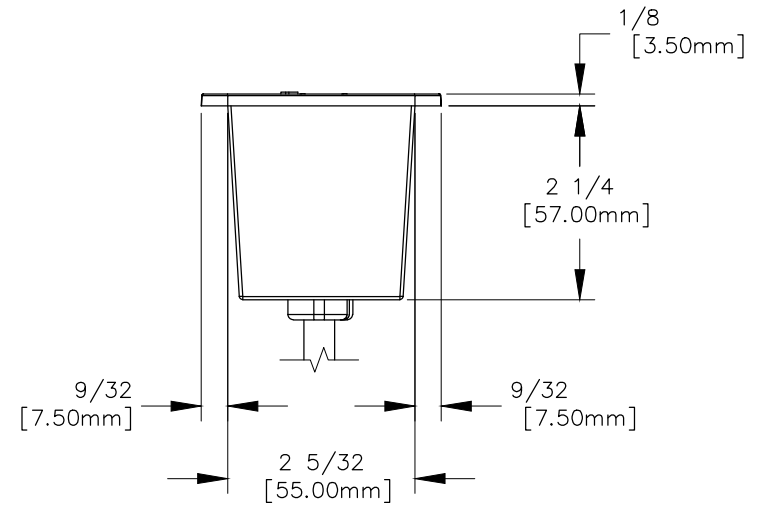


NOTE:

1. 5 ft. cord length.
2. USB-A and USB-C ports are for charging use only.
3. Recommended cutout is  $2 \frac{7}{32}$  [56.00mm] X  $6 \frac{15}{16}$  [176.00mm].
4. Recommended table thickness is  $\frac{3}{4}$  [19.00mm] MIN.



FRONT VIEW



RIGHT VIEW