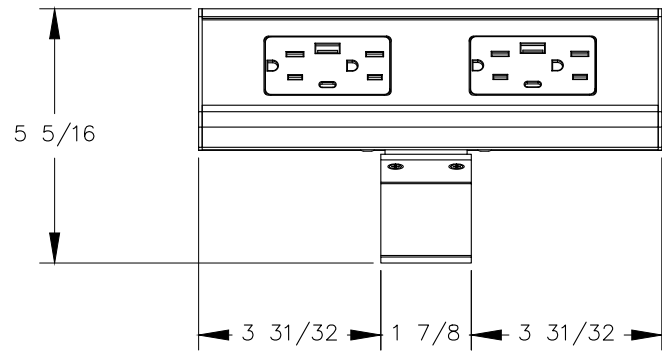
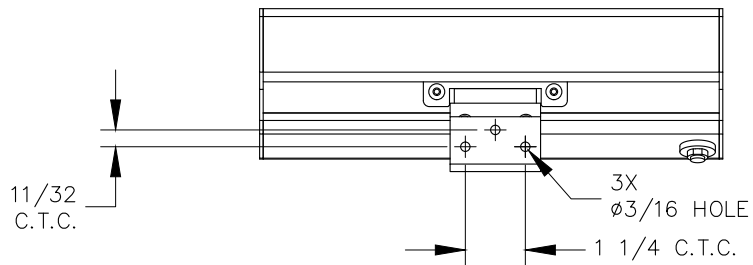


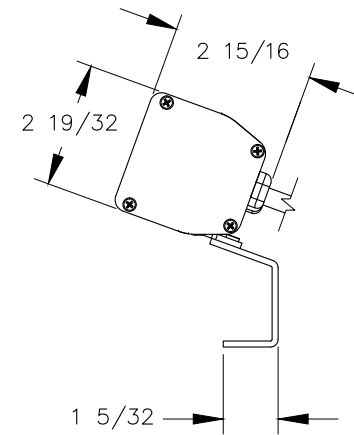
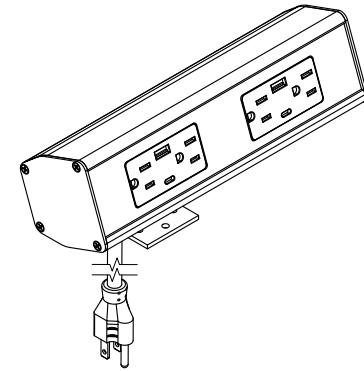
TOP VIEW



FRONT VIEW



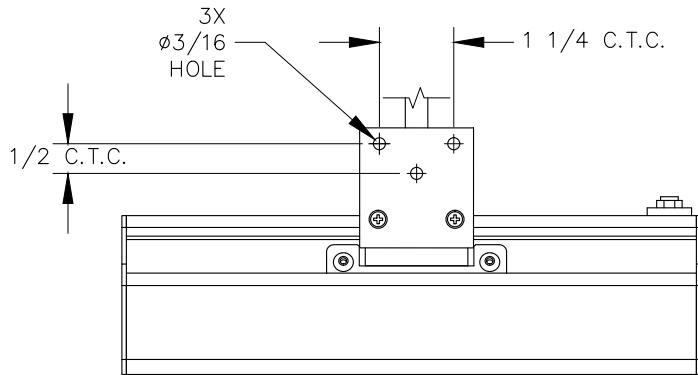
BOTTOM VIEW



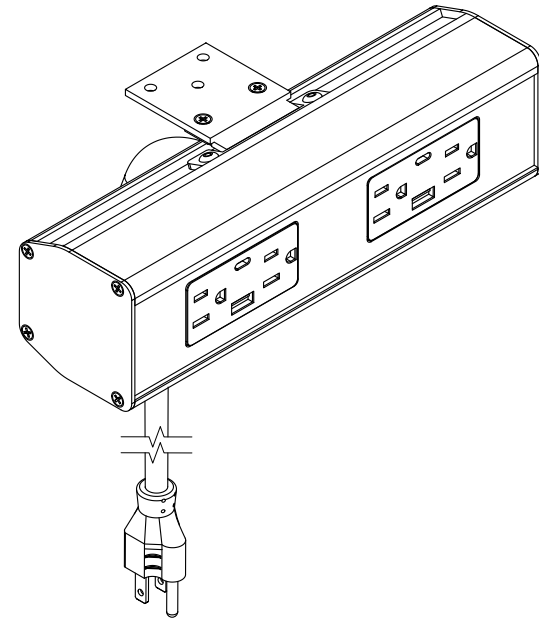
RIGHT VIEW

NOTE:

1. Cord length is 6 ft.
2. USB-A and USB-C ports are for charging use only.
3. Recommended Table thickness is 1 MIN. to 1 1/2 MAX.

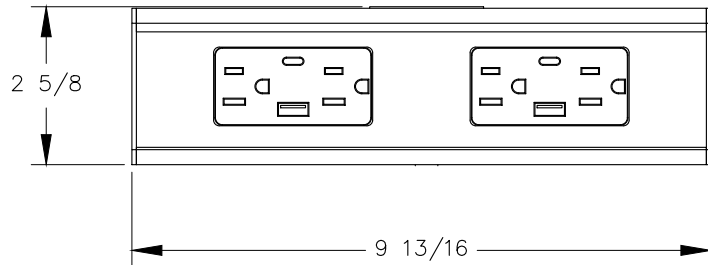


TOP VIEW

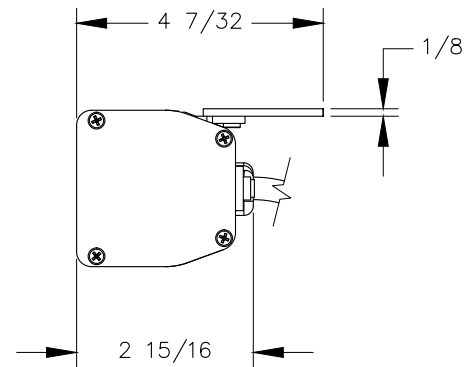


NOTE:

1. Cord length is 6 ft.
2. USB-A and USB-C ports are for charging use only.
3. Recommended table thickness is 1 MIN.



FRONT VIEW



RIGHT VIEW