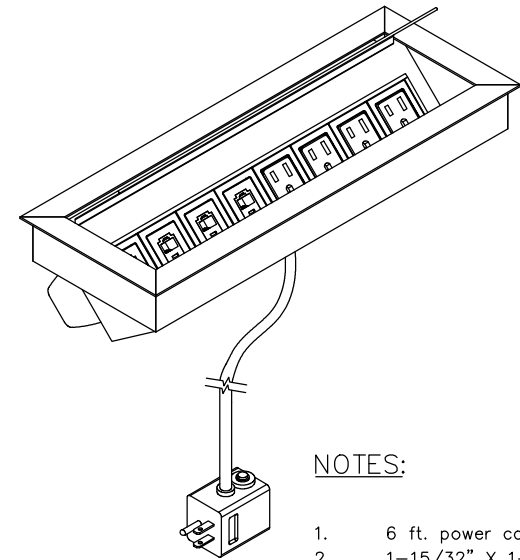
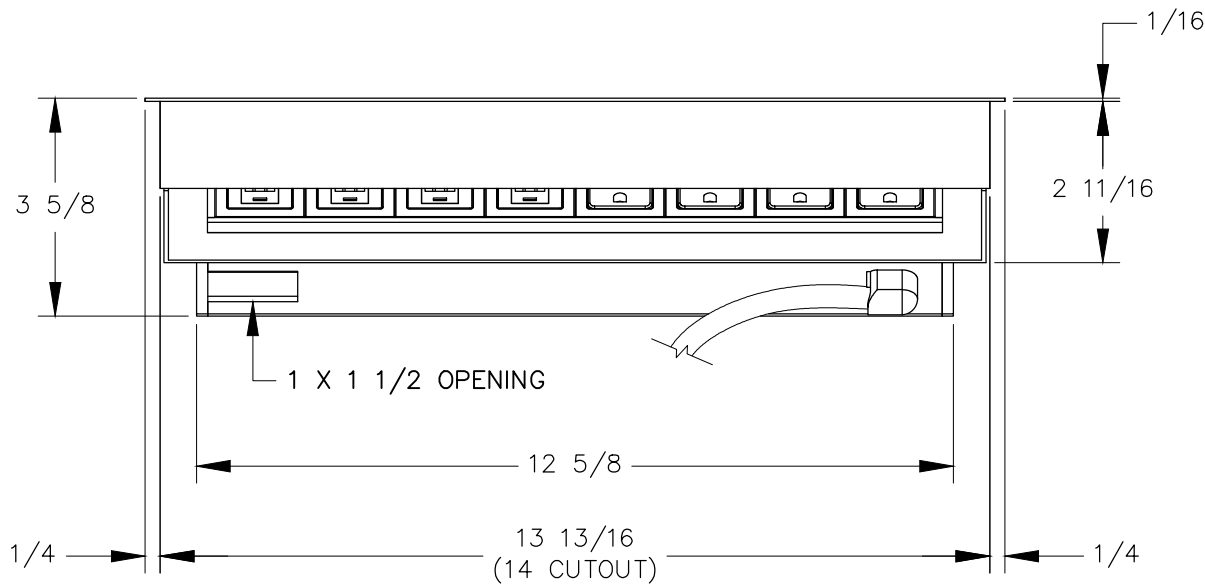


TOP VIEW

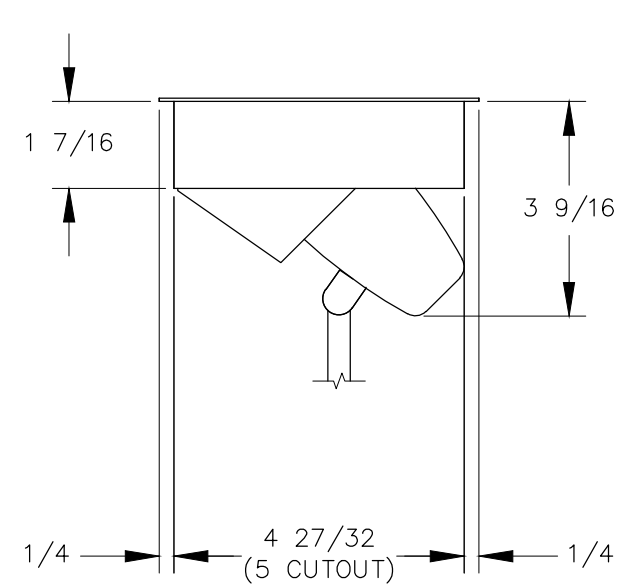


NOTES:

1. 6 ft. power cord.
2. 1-15/32" X 1-21/32" X 2-1/16" Circuit breaker plug.
3. Table thickness: 3/4" MIN. to 1-3/4" MAX.



FRONT VIEW



RIGHT VIEW



P.O. BOX 3333
 MANHATTAN BEACH, CA 90266 USA
 PHONE: 310.318.2491 FAX: 310.376.7650
 email: info@mockett.com www.mockett.com

PROPRIETARY AND CONFIDENTIAL.
 ALL DIMENSIONS HAVE A +/- 1/32" TOLERANCE UNLESS OTHERWISE SPECIFIED. WE DO NOT RECOMMEND DRILLING OR CUTTING ANY HOLES BEFORE RECEIVING A PRODUCT OR A PRODUCT SAMPLE.
 ALL MEASUREMENTS ARE IN INCHES.

PART NAME: PCSS54C		DRAWN BY: TWR	LAST EDITED: FM	REQUESTED BY: RN	SHEET: 1 OF 1
SCALE: N.T.S.	TOLERANCE: ± 1 / 16 "	DATE: 2019.11.18	DATE: 2020.02.06 12:00am	APPROVED BY: -	