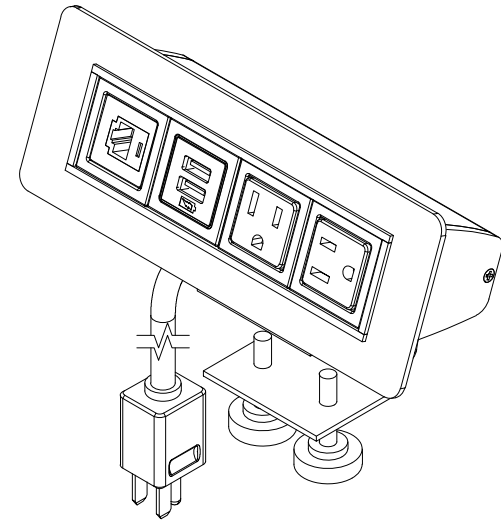
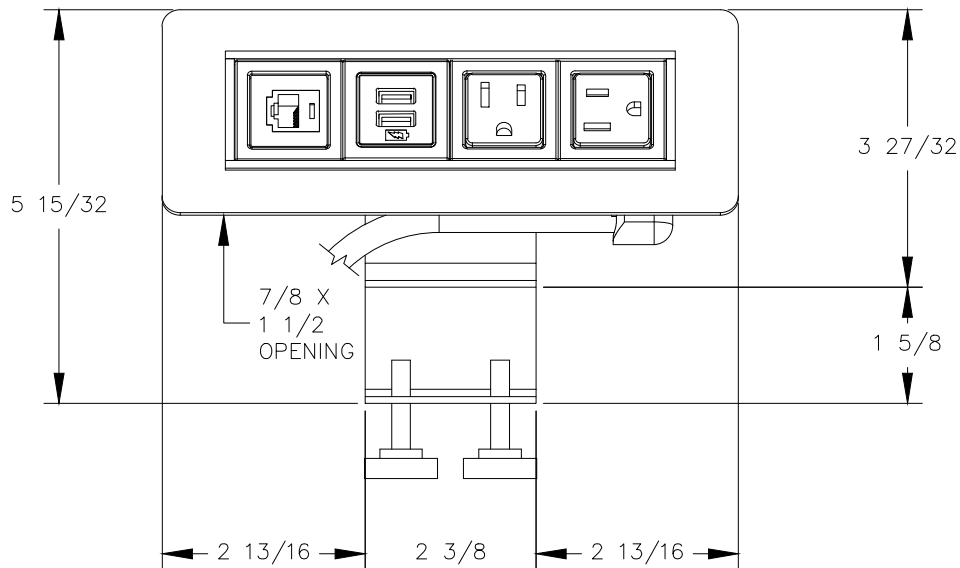


TOP VIEW

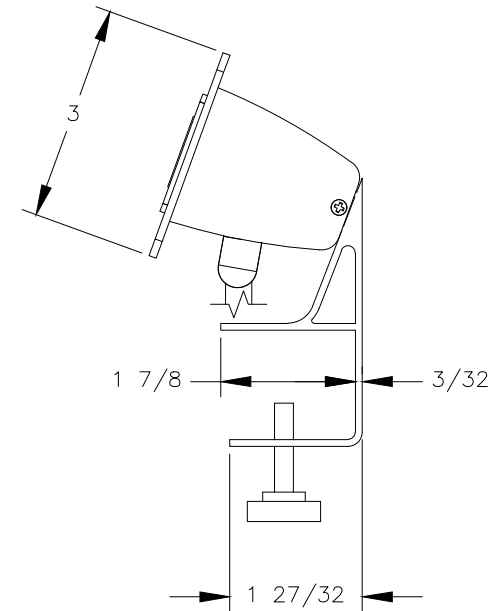


NOTE:

1. 6 ft. cord length.
2. Table thickness is 5/8 MIN. to 1 1/2 MAX.
3. Plug dimension is 1 11/32 X 1 1/32 X 7/8.
4. USB-A ports are for charging use only.



FRONT VIEW



SIDE VIEW