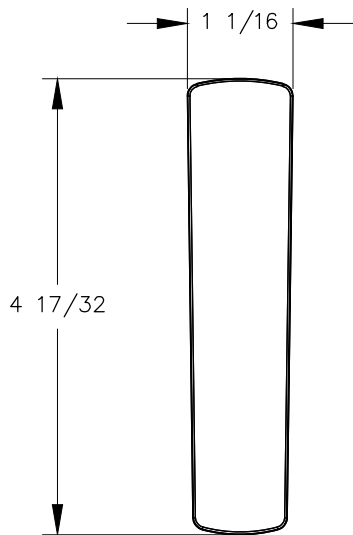
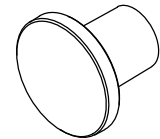
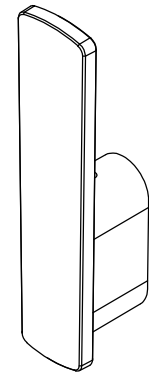


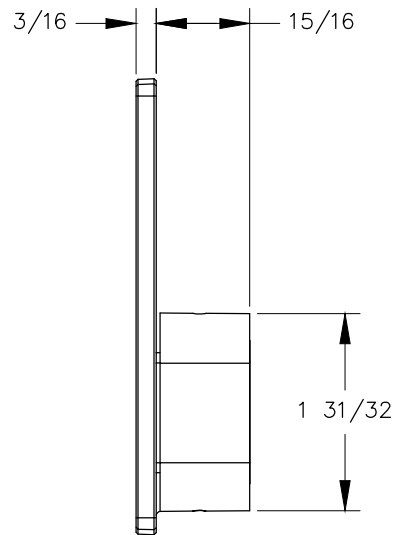
TOP VIEW

NOTE:

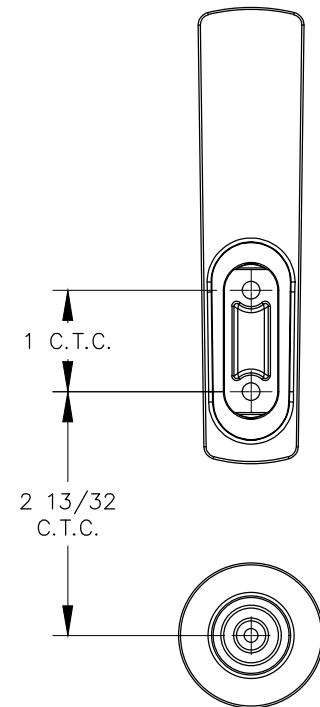
1. Weight capacity is 25 lbs. installed into drywall with metal anchors.
2. Weight capacity is 25 lbs. installed into studs.



FRONT VIEW



RIGHT VIEW



REAR VIEW

