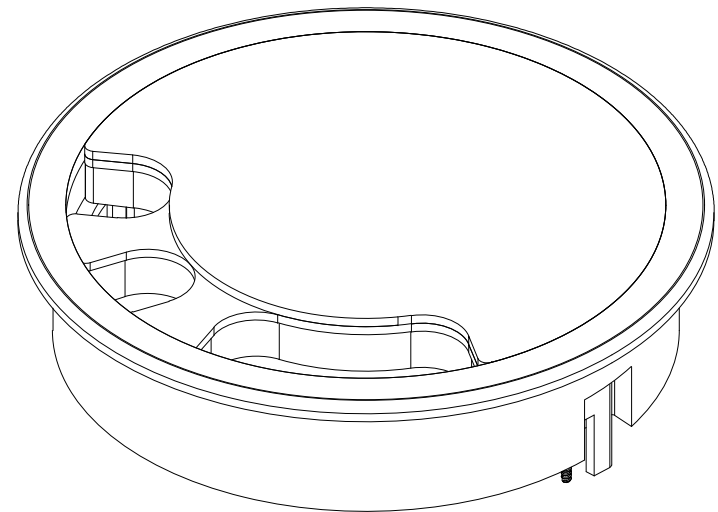
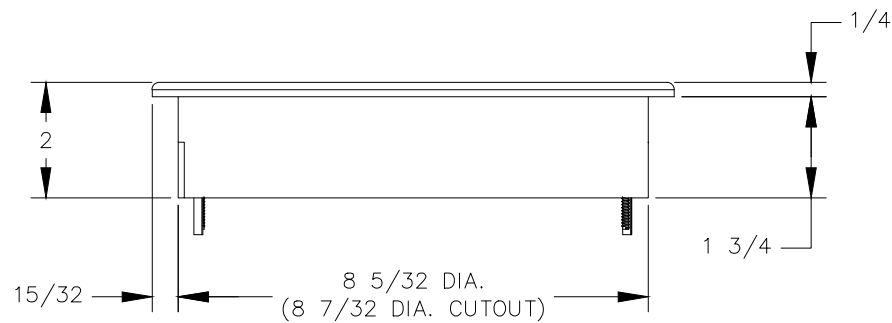


TOP VIEW



NOTE:

1. Floor thickness is 1 MIN. to 2 MAX. with a top wing lock orientation.
2. Floor thickness is  $\frac{1}{2}$  MIN. to  $1 \frac{1}{4}$  MAX. with a bottom wing lock orientation.



FRONT VIEW