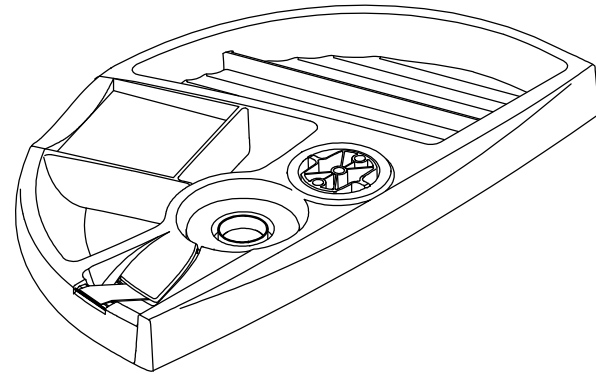
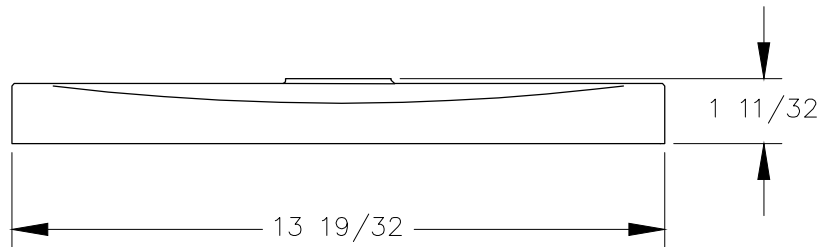


TOP VIEW

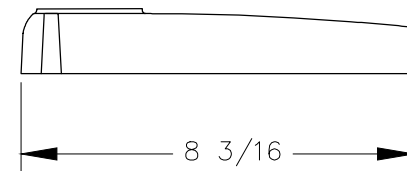


NOTE:

1. Weight capacity is 8 lbs. MAX.



FRONT VIEW



SIDE VIEW