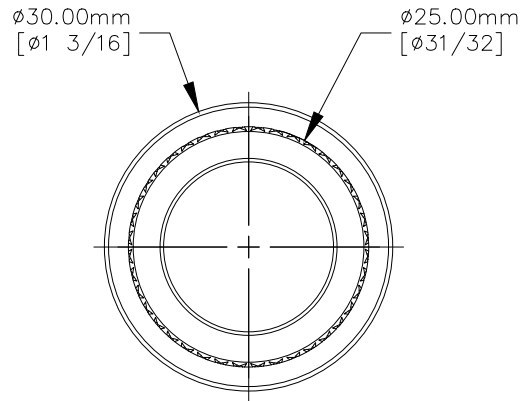
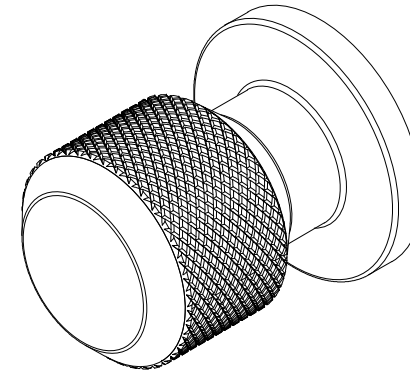


TOP VIEW



FRONT VIEW



NOTE:

1. M4 X 0.70 thread mounting hole.