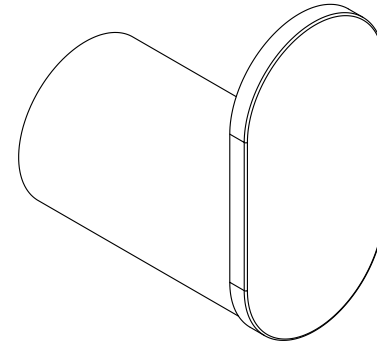
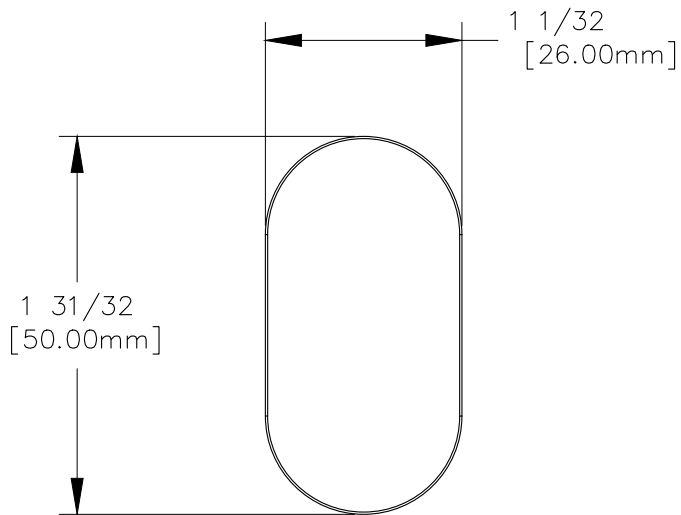


TOP VIEW

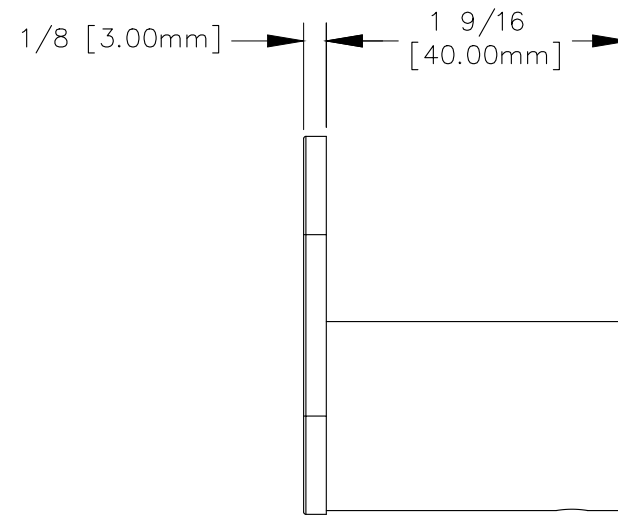


NOTE:

1. Weight capacity is 15 lbs. when installed in drywall using a drywall anchor.
2. Weight capacity is 30 lbs. when installed into studs.



FRONT VIEW



RIGHT VIEW