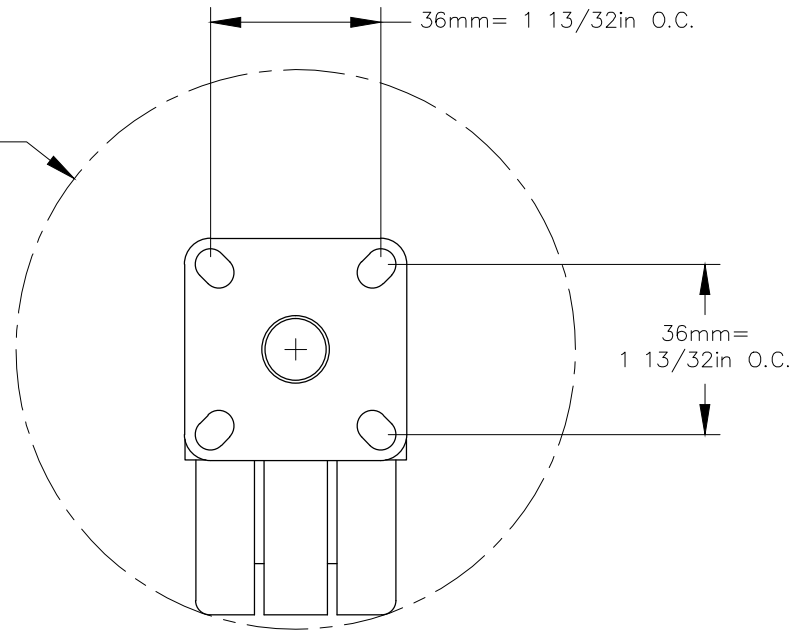
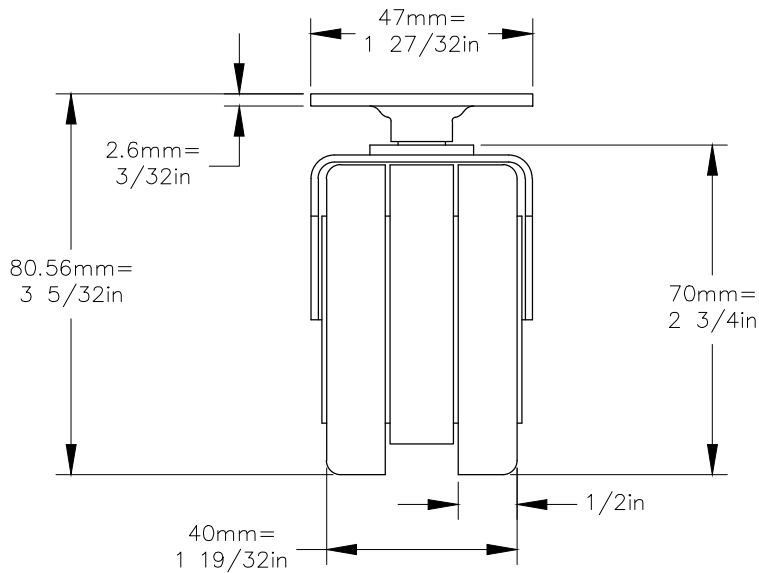
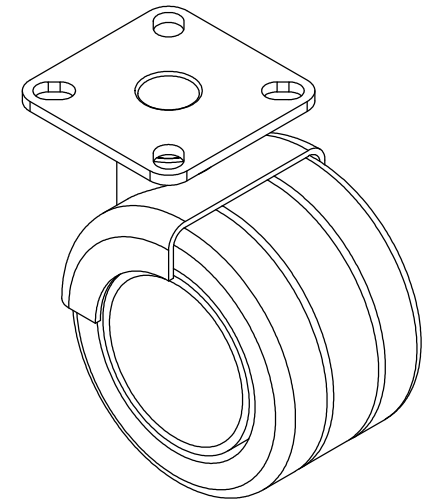


VENDOR=  $\varnothing 66\text{mm}$

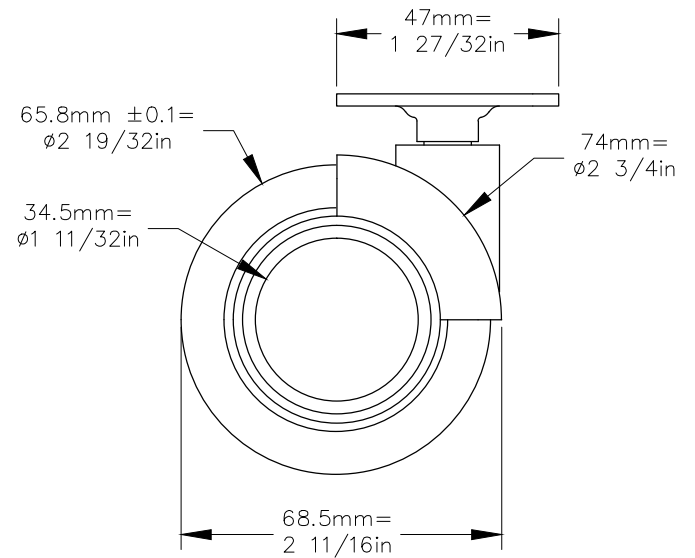
R2 11/32in  
TURNING  
RADIUS



TOP VIEW



FRONT VIEW



RIGHT VIEW