

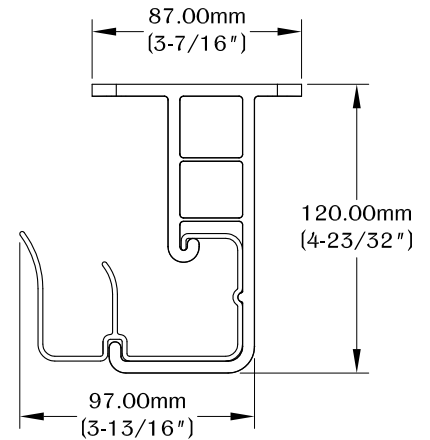
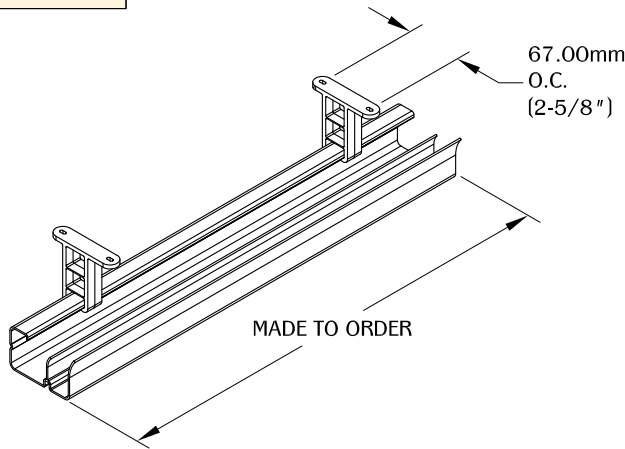
PART #

WM45

310.318.2491 • 800.523.1269 • www.mockett.com

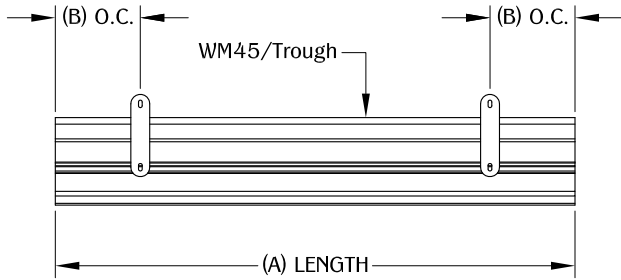
NOTE:

- Weight capacity is 20 lbs.
- WM45/Trough length is made to order at 305.00mm (12") MIN. to 1829.00mm (72") MAX.



RIGHT VIEW

1

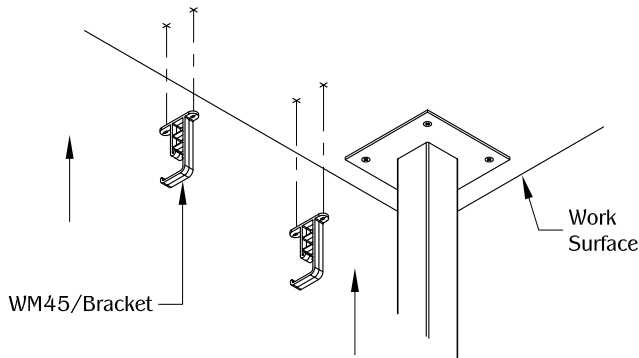


2

(A) Length	(B) O.C.
305.00mm (12")	51.00mm (2")
610.00mm (24")	101.00mm (4")
914.00mm (36")	152.00mm (6")
1219.00mm (48")	203.00mm (8")
1524.00mm (60")	254.00mm (10")
1829.00mm (72")	305.00mm (12")

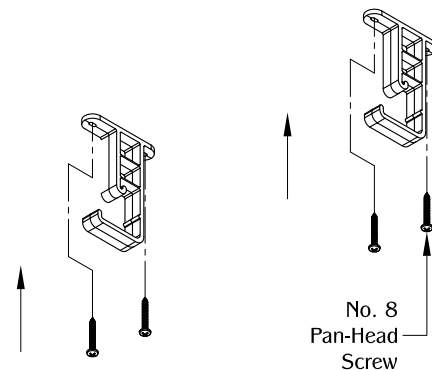
Determine the bracket placement position on the WM45/Trough. (Note: Add 51.00mm (2") for every 305.00mm (12") of length see chart on step 2.)

3



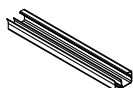
Determine the position and location of the bracket under the work surface. Bracket spacing depends on STEP 2. Mark the mounting holes of the WM45/Bracket on the work surface.

4



Use (4) No. 8 pan-head screws to secure the bracket under the work surface.

TABLE OF CONTENTS:



..... 1X WM45/Trough

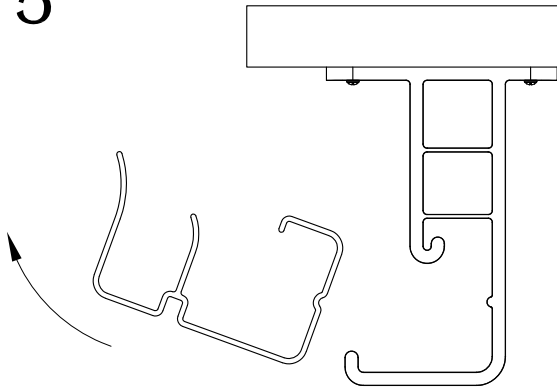


..... 2X WM45/Bracket



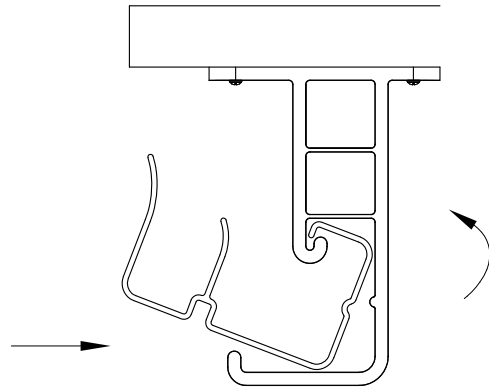
..... 4X 3/4"  
No. 8 Pan-head  
screw

5



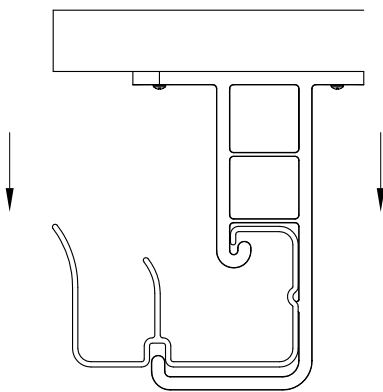
Install the WM45/Trough by slightly tilting it facing the front of the WM45/Bracket.

6



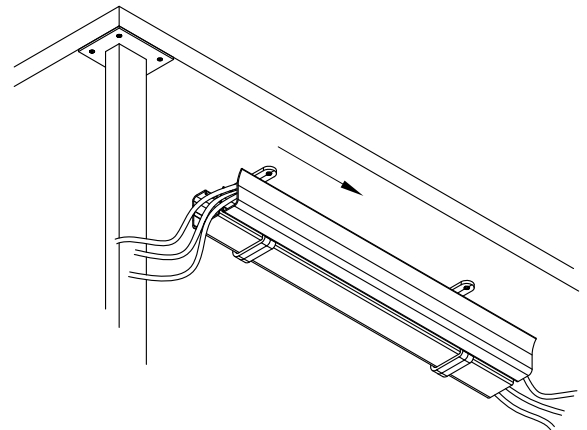
Tilt the WM45/Trough and hook it towards the back of the WM45/Bracket.

7



Once the WM45/Trough and WM45/Bracket are aligned pull down until you hear a snap. Do the reverse for step 5,6 and 7 to uninstall the WM45/Trough.

8



Place and guide wires into the WM45/Trough.