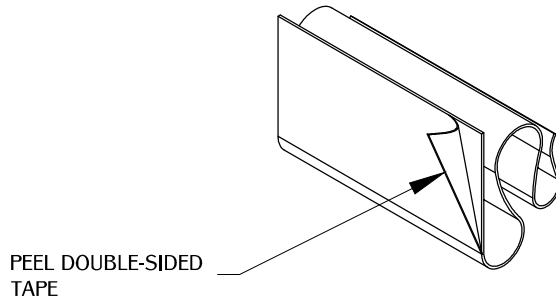
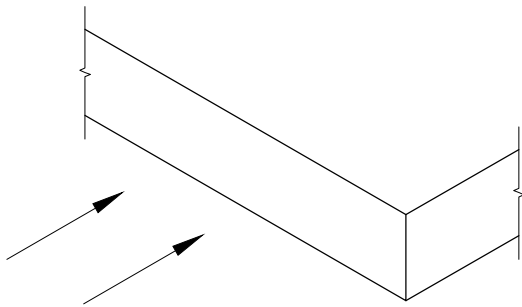


1



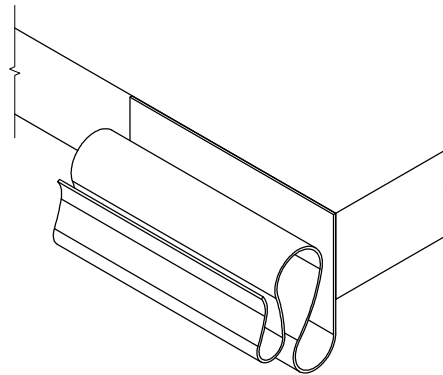
Determine whether the WM37 will be installed on the top or bottom of the work surface and peel double-sided tape as shown.

2



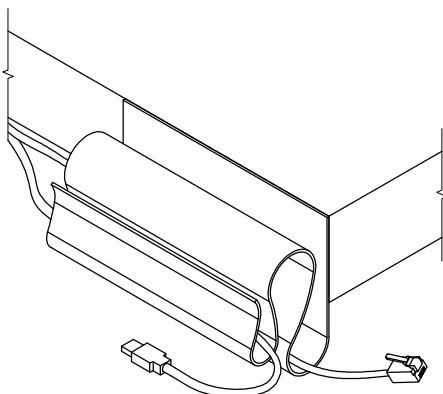
Determine the position and location on the work surface in which to apply the WM37.

3



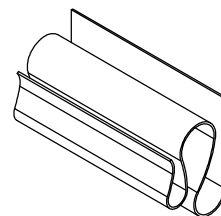
Apply pressure to the WM37 when placing against the work surface until it is held into position by the adhesive.

4



Place wires inside the WM37 by sliding them through the small opening.

TABLE OF CONTENTS:



..... WM37