

## WH1B

PROPRIETARY AND CONFIDENTIAL.  
ALL DIMENSIONS HAVE A +/- 1/16" TOLERANCE UNLESS OTHERWISE SPECIFIED. WE DO NOT RECOMMEND DRILLING OR CUTTING ANY HOLES BEFORE RECEIVING A PRODUCT OR A PRODUCT SAMPLE.


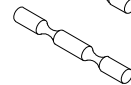





### ⚠ WARNING ⚠

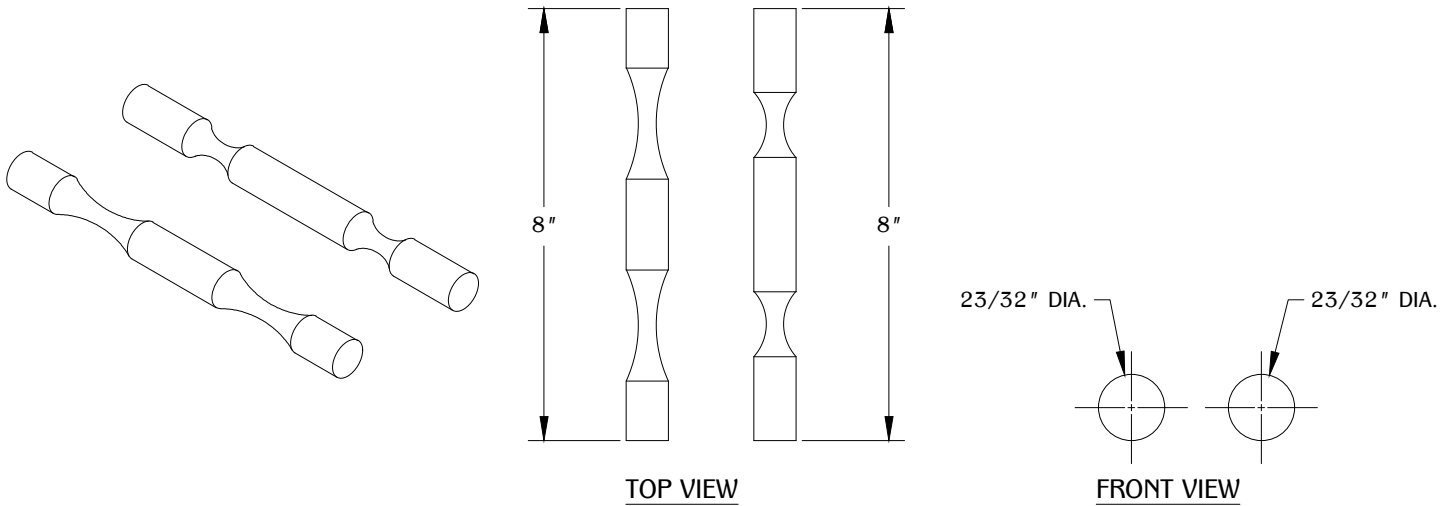
- Neck and base will not be level. This is to ensure that bottles are displayed as close to level as possible.
- Dimensions are based on general bottle measurements.
- Actual bottle measurements will vary based on type and manufacturer.

### SPECIFICATIONS

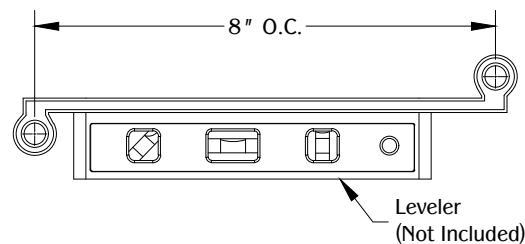
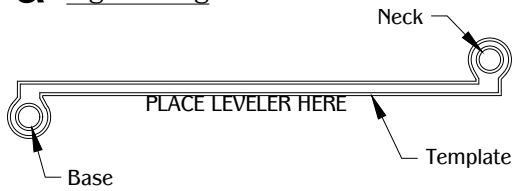
- Recommended bottle size is 750ml MAX.

### TABLE OF CONTENTS

	..... 1X WH1B Base
	..... 1X WH1B Neck
	..... 2X Rosette
	..... 2X Nylon Wall Anchor
	..... 2X 1-31/32" Wood Hanger Screw
	..... 1X 7/8" Wood Hanger Screw Driver
	..... 1X Template

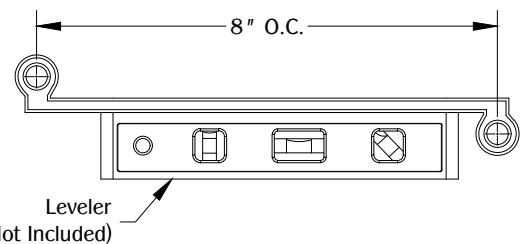


### 1a Right Facing



Determine the position, orientation and location for the part on the work surface. Tape one side of the template then place leveler below template. Once template is level, secure by taping other side.

### 1b Left Facing

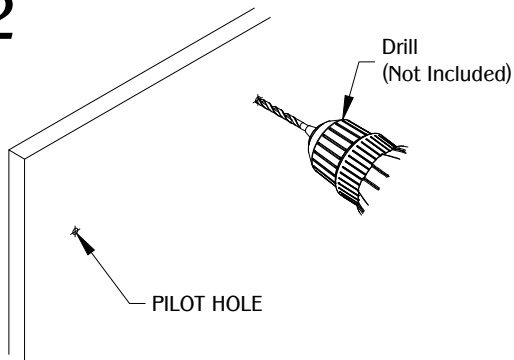


Determine the position, orientation and location for the part on the work surface. Tape one side of the template then place leveler below template. Once template is level, secure by taping other side.

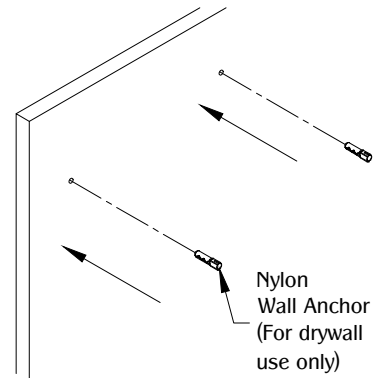
## WH1B

PROPRIETARY AND CONFIDENTIAL.

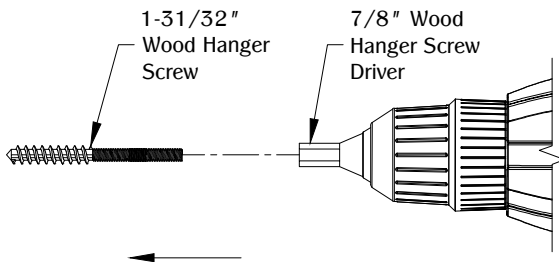
ALL DIMENSIONS HAVE A +/- 1/16" TOLERANCE UNLESS OTHERWISE SPECIFIED. WE DO NOT RECOMMEND DRILLING OR CUTTING ANY HOLES BEFORE RECEIVING A PRODUCT OR A PRODUCT SAMPLE.

**2**

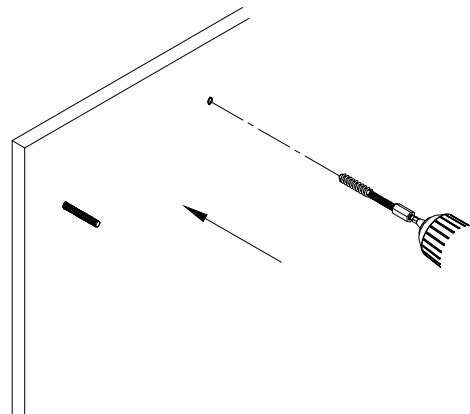
Mark the mounting position and remove the template. Drill (2) 5/16" DIA. pilot holes for dry wall installation or drill (2) 3/16" DIA. pilot holes for wood installation.

**3**

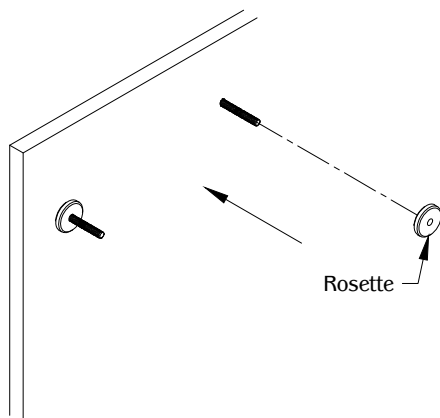
Place (2) nylon wall anchors into pilot hole. Skip this step for wood installation.

**4**

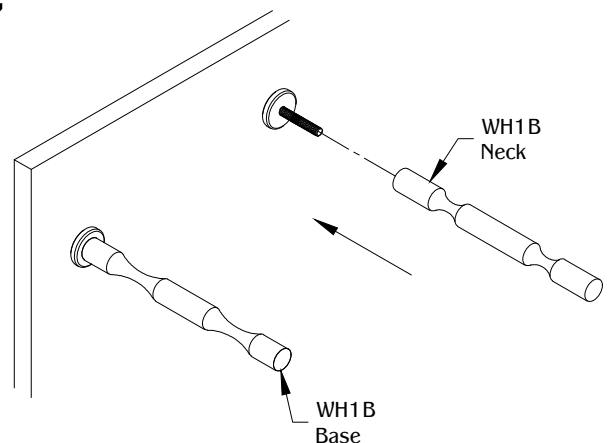
Adjust the drill to use 7/8" wood hanger screw driver. Screw machine threads side of 1-31/32" wood hanger screw into wood hanger screw driver by hand.

**5**

Align (2) 1-31/32" wood hanger screw and drill to the nylon wall anchor or pilot hole.

**6**

Slide (2) rosette to wood hanger screws.

**7**

Align WH1B base and WH1B neck to the designated wood hanger screw. Secure by tightening clockwise and make sure part is fully level on the work surface.