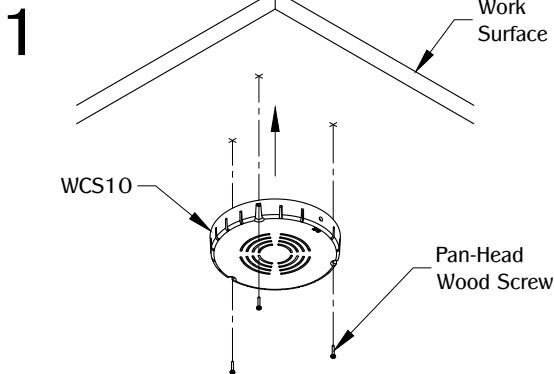
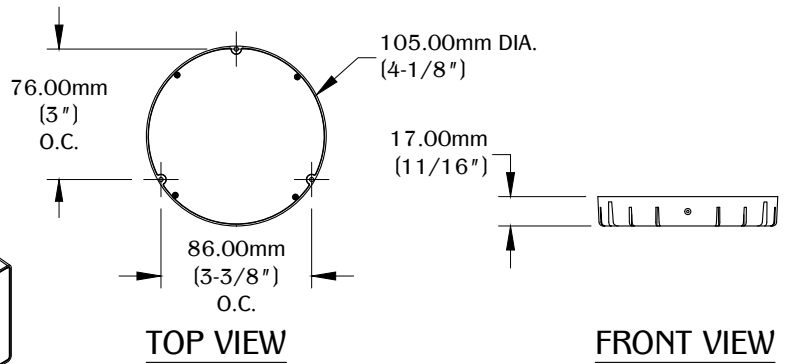
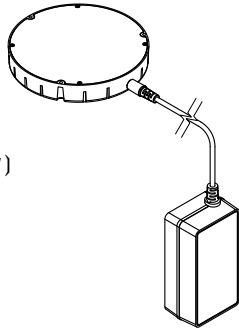
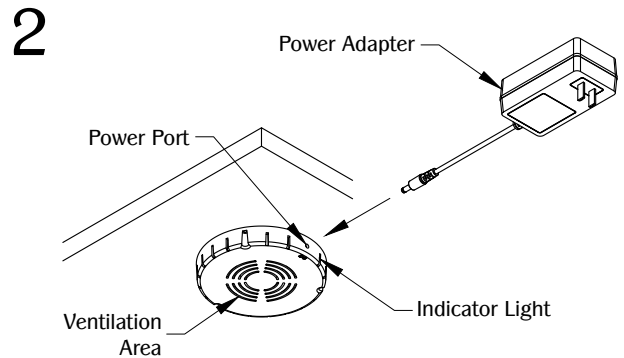


NOTE:

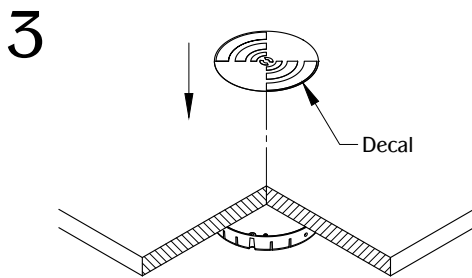
- 4 ft. cord (including power adapter).
- Mobile device must be wireless charging ready. Check mobile manufacturer for compatibility.
- Table thickness is 15.00mm (19/32") MIN. to 30.00mm (1-3/16") MAX.
- For iPhone™ 12 and newer, table thickness is 19.00mm (3/4") MAX.
- Wireless output is 5W to 10W MAX.
- Power adapter is 3-1/2" X 1-7/8" X 1-9/32".



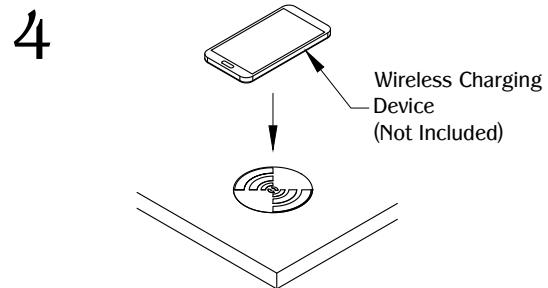
Place the unit on the desired location under the work surface and secure using (3) pan-head wood screws. Allow enough clearance for unit operation. **DO NOT** place unit where cable is strained or trapped. Make sure the unit is fully leveled on the work surface.



Connect power adapter to the power port on the unit. Then plug unit into an outlet using the power adapter. The indicator light will turn red, indicating the unit is now ready for use.



Align the decal on the work surface above the charging point of the unit for a pinpoint accurate wireless charging location.



Position the mobile device on the center of the charging area. The indicator light will turn blue. The charging icon will activate on the device's screen when properly aligned at the center of the charging area.

⚠ WARNING ⚠

- For indoor use only.
- Do not cover ventilation area on the unit.
- For use on a normally dry work surface.
- Do not place metal on the wireless charging area.
- Metal objects, bank cards, digital IC cards should not be placed between the charger and the phone to avoid damage.
- To ensure proper performance, only use the included power adapter with the charger.

TABLE OF CONTENTS:

	1X WCS10
	1X Power Adapter
	3X 3/8" No. 3 Pan-Head Wood Screw
	1X Decal