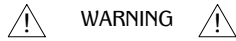


## UCS4

PROPRIETARY AND CONFIDENTIAL.  
ALL DIMENSIONS HAVE A +/- 1/16" TOLERANCE UNLESS OTHERWISE SPECIFIED. WE DO NOT RECOMMEND DRILLING OR CUTTING ANY HOLES BEFORE RECEIVING A PRODUCT OR A PRODUCT SAMPLE.



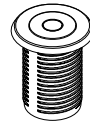
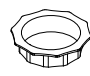
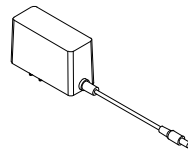
WARNING

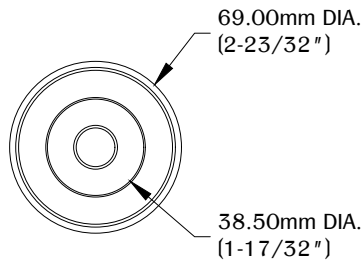
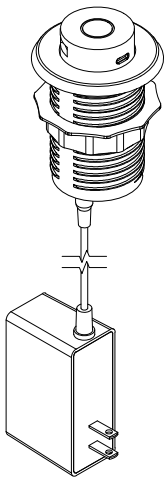
- For indoor use only.
- For use on a normally dry work surface.
- If any malfunction occurs, do not attempt to disassemble or repair.
- Avoid placing the charger in a high temperature environment or near fire.

### SPECIFICATIONS

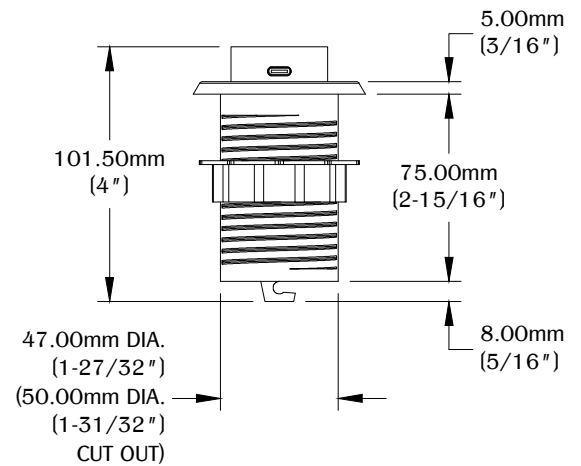
- 5 ft. cord length.
- USB-A and USB-C ports are for charging use only.
- USB-A1 output is 30W MAX.
- USB-A2 output is 18W MAX.
- USB-C output is 30W MAX.
- Table thickness is 59.00mm (2-5/16") MAX.
- Power adapter dimension is 3-3/16" X 1-13/16" X 1-7/16".

### TABLE OF CONTENTS

	..... 1X UCS4
	..... 1X Lock Ring
	..... 1X Power Adapter

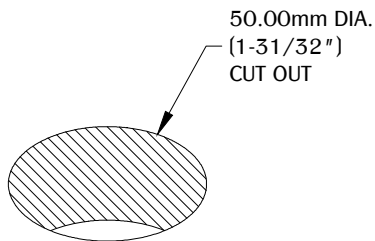


TOP VIEW



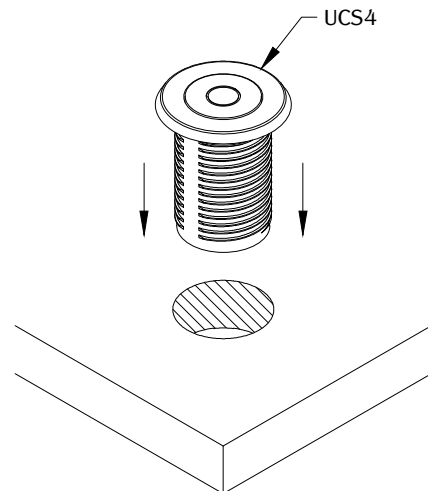
FRONT VIEW

1



Make a cut out in the desired location on your work surface. Allow enough clearance for unit operation. DO NOT place unit where cable is strained or trapped.

2



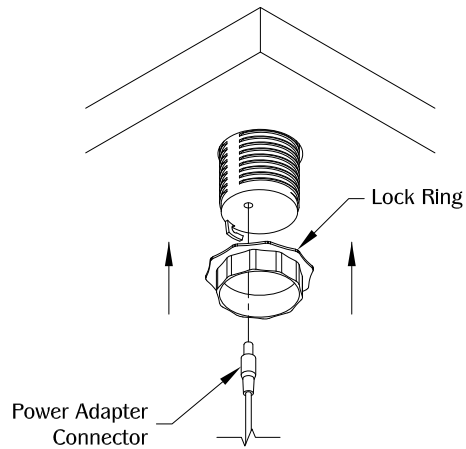
Install the UCS4 into the cut out and make sure it is fully leveled onto the work surface.

## UCS4

PROPRIETARY AND CONFIDENTIAL.

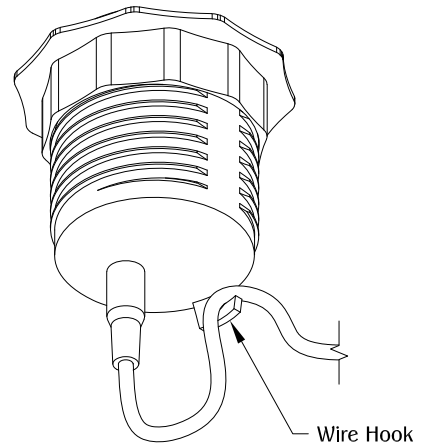
ALL DIMENSIONS HAVE A +/- 1/16" TOLERANCE UNLESS OTHERWISE SPECIFIED. WE DO NOT RECOMMEND DRILLING OR CUTTING ANY HOLES BEFORE RECEIVING A PRODUCT OR A PRODUCT SAMPLE.

### 3



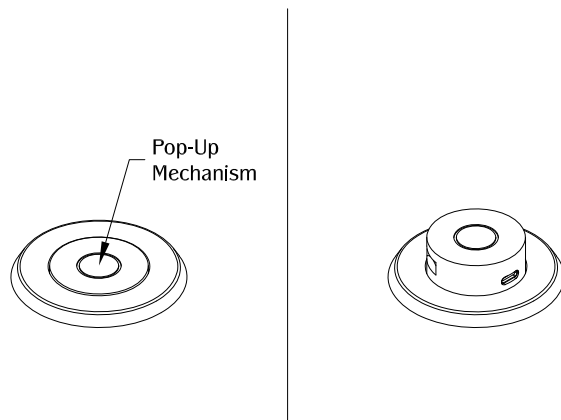
Tighten the lock ring until the grommet is secure onto the work surface and plug the power adapter connector into bottom of the UCS4.

### 4



Use the wire hook to secure the power adapter cord. Plug power adapter into nearby outlet and the unit is ready for use.

### 5



Press down on the pop-up mechanism to expose or hide the USB ports on the unit. (NOTE: Remove cords from USB ports before closing the unit.)