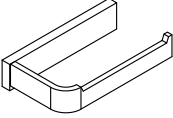
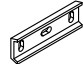



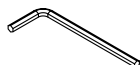
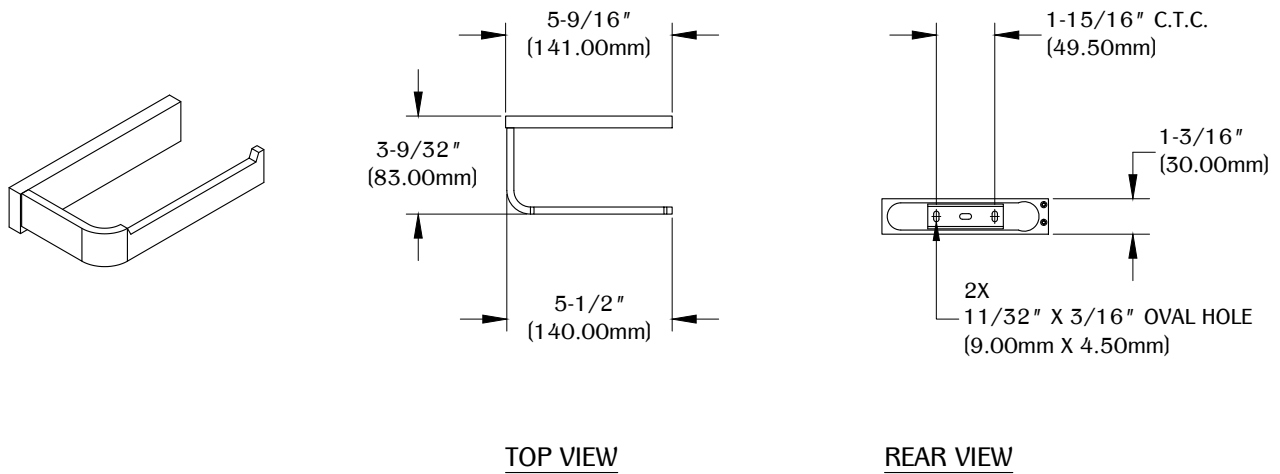


## TPH76

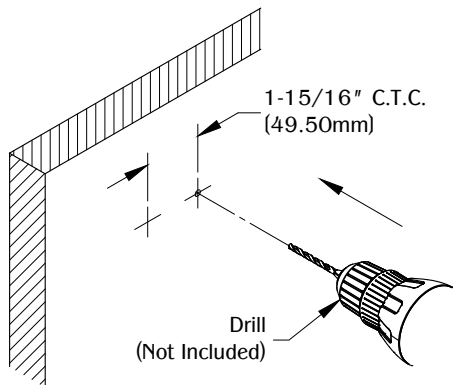
PROPRIETARY AND CONFIDENTIAL.  
ALL DIMENSIONS HAVE A +/- 1/32" TOLERANCE UNLESS OTHERWISE SPECIFIED. WE DO NOT RECOMMEND DRILLING OR CUTTING ANY HOLES BEFORE RECEIVING A PRODUCT OR A PRODUCT SAMPLE.

### TABLE OF CONTENTS

	..... 1X TPH76
	..... 1X Mounting Bracket
	..... 2X M5 X 0.8 Set Screw
	..... 2X 1-3/16" No. 6 Flat Head Wood Screw
	..... 2X Plastic Anchor
	..... 1X Hex Key

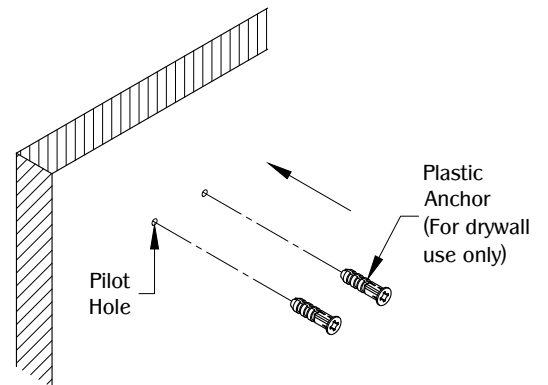


1



Determine the position and location of the part on the work surface. Mark the mounting positions for the mounting hardware and drill 3/16" diameter pilot holes for drywall installation or 3/32" diameter pilot holes for wood installation.

2



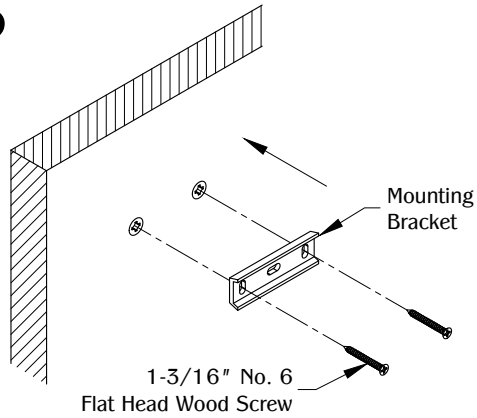
Install the (2) plastic anchors into the pilot holes. (Note: Skip this step for wood installation.)

## TPH76

PROPRIETARY AND CONFIDENTIAL.

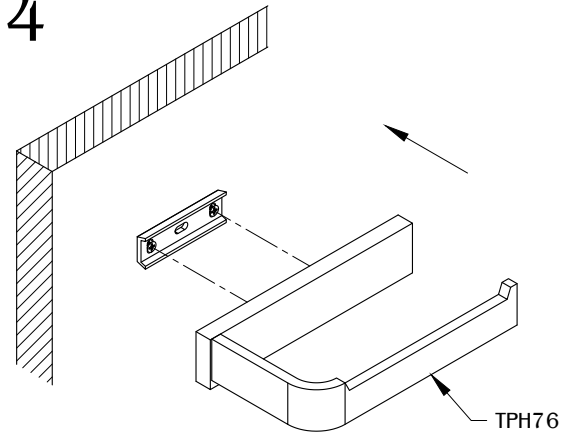
ALL DIMENSIONS HAVE A +/- 1/32" TOLERANCE UNLESS OTHERWISE SPECIFIED. WE DO NOT RECOMMEND DRILLING OR CUTTING ANY HOLES BEFORE RECEIVING A PRODUCT OR A PRODUCT SAMPLE.

### 3



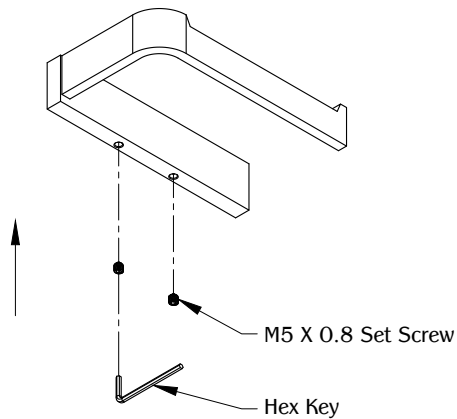
Position the mounting bracket so it aligns with either the pre-drilled pilot holes or the installed plastic anchors. Then, use (2) 1-3/16" No. 6 flat head wood screws to secure it. Make sure the mounting bracket is level onto the work surface.

### 4



Install the TPH76 onto the mounting bracket, making sure it is level and aligned.

### 5



To secure the TPH76, locate the M5 X 0.8 set screws on the underside and tighten it.