

PART #

TP-FOLD

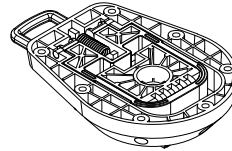
PROPRIETARY AND CONFIDENTIAL.  
ALL DIMENSIONS HAVE A +/- 1/16" TOLERANCE UNLESS OTHERWISE SPECIFIED. WE DO NOT RECOMMEND DRILLING OR CUTTING ANY HOLES BEFORE RECEIVING A PRODUCT OR A PRODUCT SAMPLE.



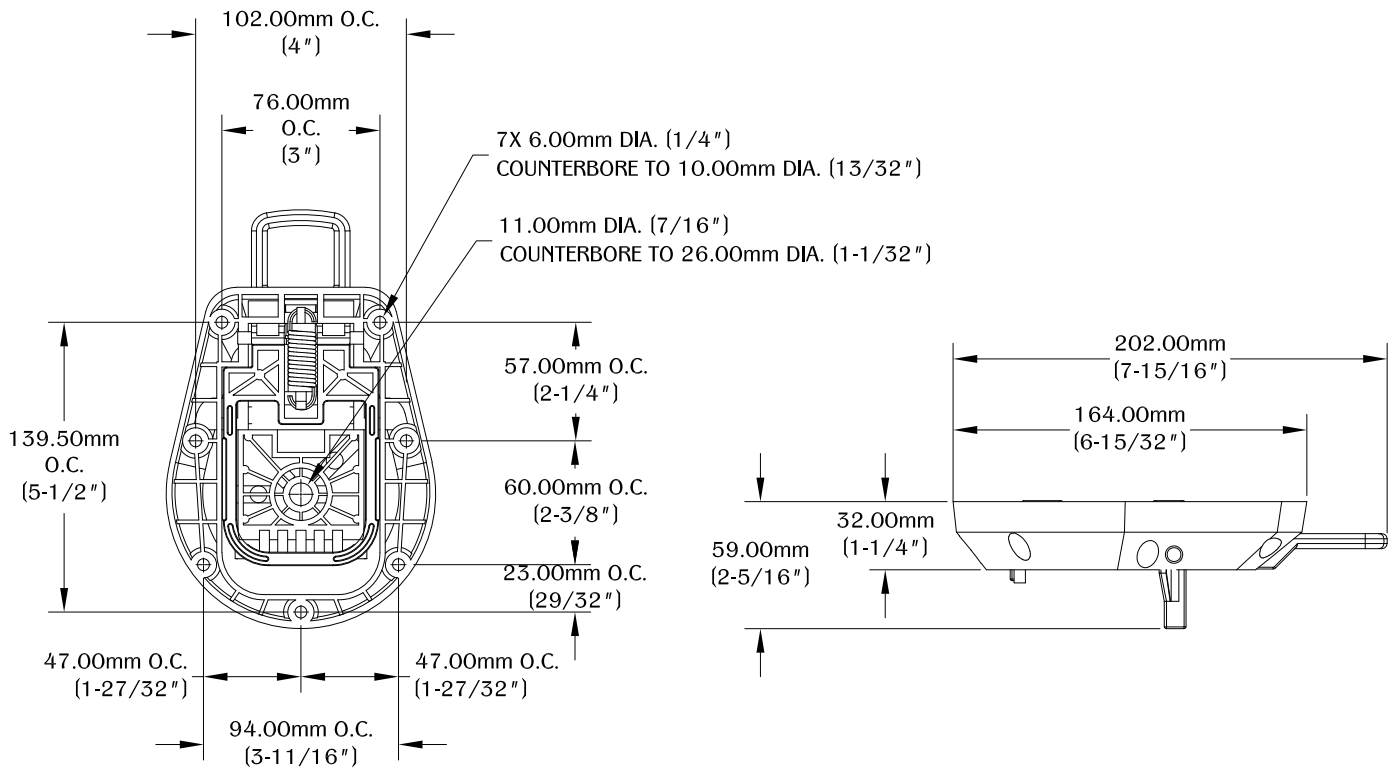
WARNING

- Make sure the part is locked into place before propping up the work surface.

TABLE OF CONTENTS



..... 1X TP-FOLD



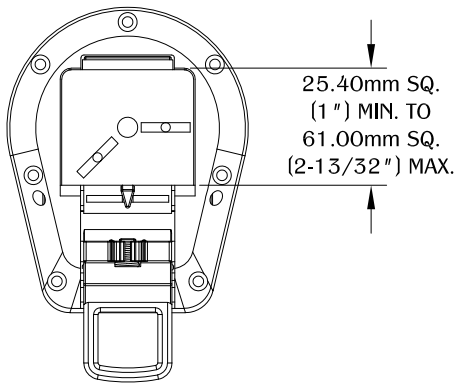
PART #

TP-FOLD

PROPRIETARY AND CONFIDENTIAL.

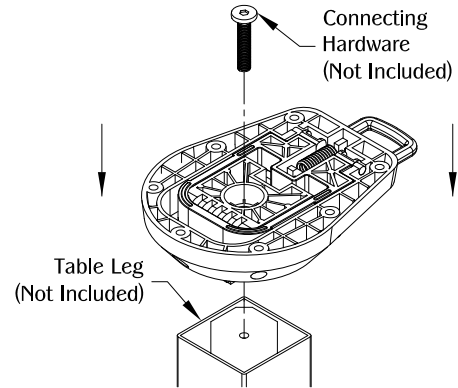
ALL DIMENSIONS HAVE A +/- 1/16" TOLERANCE UNLESS OTHERWISE SPECIFIED. WE DO NOT RECOMMEND DRILLING OR CUTTING ANY HOLES BEFORE RECEIVING A PRODUCT OR A PRODUCT SAMPLE.

1



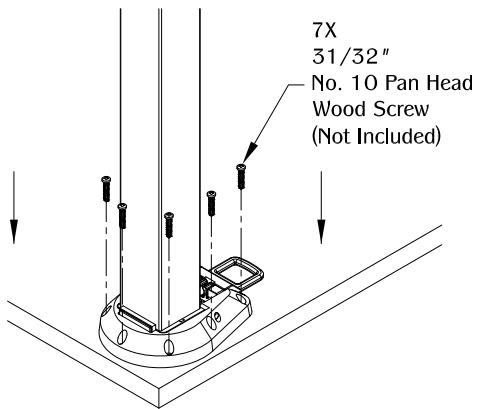
TP-FOLD can be used with a circle or square leg. 25.40mm (1") MIN. to 61.00mm (2-13/32") MAX. DIA./SQ. is recommended.

2



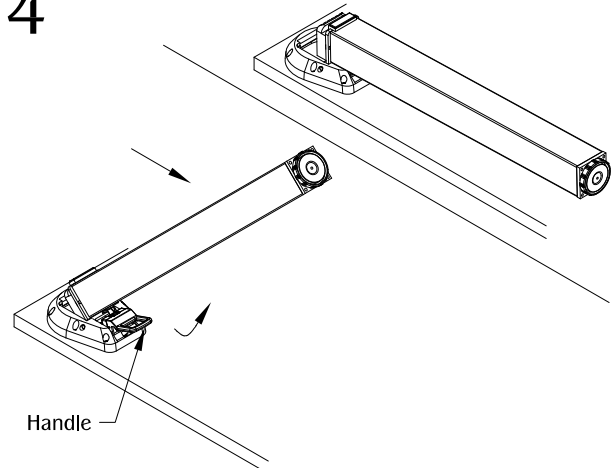
Align the TP-FOLD to a desired table leg and secure with the appropriate hardware and tool.

3



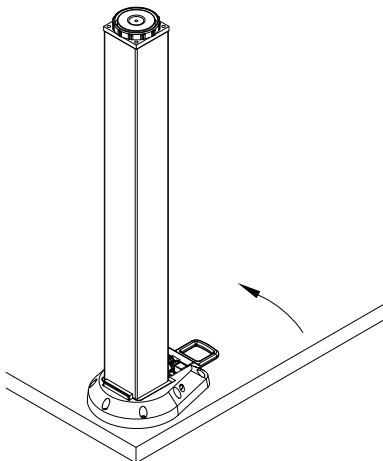
Determine the position and location of the part under the work surface. Secure the TP-FOLD by using (7) No. 10 mounting screws. (Note: Use appropriate screws and screw length depending on the table type and thickness.)

4



Pull out and lift the handle on the TP-FOLD while pushing to collapse the leg.

5



Lift the table leg until it locks into place.