

TLEL6

PROPRIETARY AND CONFIDENTIAL.
ALL DIMENSIONS HAVE A +/- 1/8" TOLERANCE UNLESS OTHERWISE SPECIFIED. WE DO NOT RECOMMEND DRILLING OR CUTTING ANY HOLES BEFORE RECEIVING A PRODUCT OR A PRODUCT SAMPLE.




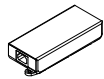

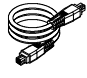






⚠ WARNING ⚠

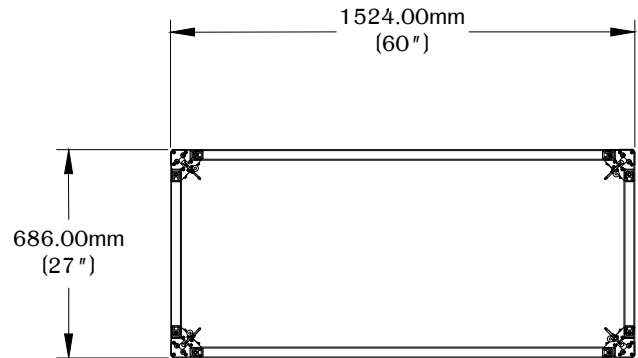
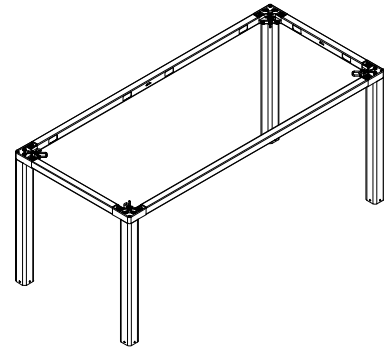
- For indoor use only.
- If any malfunction occurs, do not attempt to disassemble or repair.
- Avoid placing the leg in a high temperature environment or near fire.
- Do not contact with water, corrosive liquid, inflammable and explosive substance during the use of the product. If such a situation occurs, please pull out the power cord of the product out of the wall outlet immediately.
- This product completely is strictly prohibited to be exposed to overheat, under cold or humidity.

SPECIFICATIONS

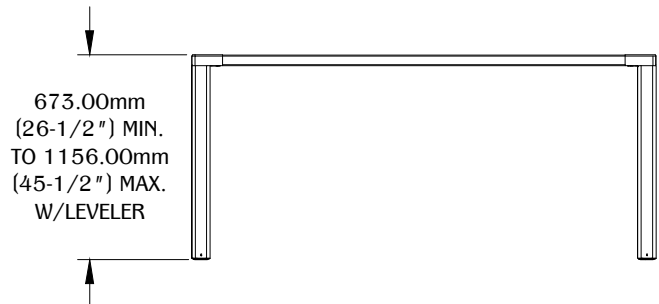
- 9 ft. power cord length.
- Weight capacity is 220 lbs.
- Table thickness is 3/4" MIN. to 7/8" MAX.
- Table top is 1524.00mm (60") MIN. X 686.00mm (27") MIN. to 1828.00mm (72") MAX. X 990.00mm (39") MAX.

TABLE OF CONTENTS

 4X TLEL6 Leg
 2X 485.00mm (19- 3/32") Frame
 2X 1320.00mm (52") Frame
 1X Control Box
 1X Controller
 4X Molex Power Cord
 1X Power Cord
 1X 7/32" Double Head Hex Key
 1X 7/32" Ball Hex Key
 4X Mounting Tab
 8X 3/4" No. 8 Pan Head Wood Screw
 8X M8 X 1.0 X 25.00mm Flat Head Socket Cap Screw



TOP VIEW

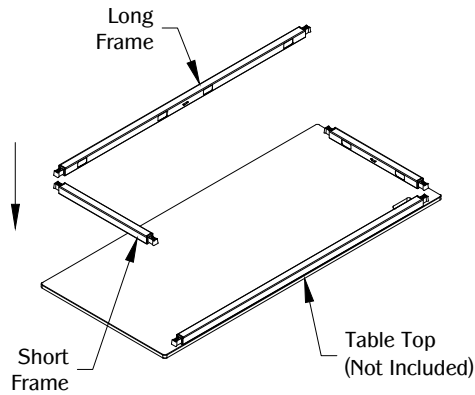


FRONT VIEW

TLEL6

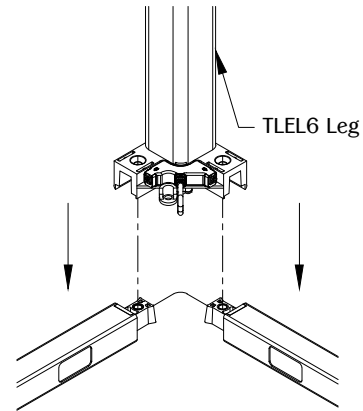
PROPRIETARY AND CONFIDENTIAL.
ALL DIMENSIONS HAVE A +/- 1/8" TOLERANCE UNLESS OTHERWISE SPECIFIED. WE DO NOT RECOMMEND DRILLING OR CUTTING ANY HOLES BEFORE RECEIVING A PRODUCT OR A PRODUCT SAMPLE.

1



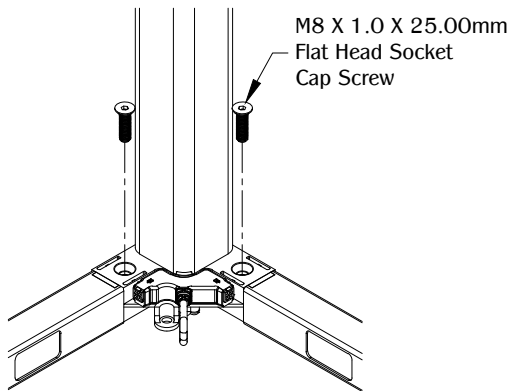
Align and center (2) long frame and (2) short frame on the underside of the work surface.

2



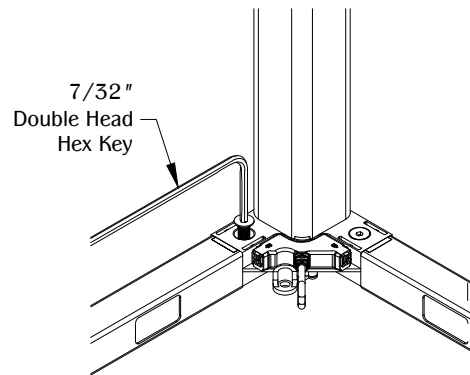
Attach TLEL6 leg to (1) long frame and (1) short frame by sliding the TLEL6 leg down. Make sure the holes on the frames and the holes on the TLEL6 are aligned properly. Repeat step (4) times.

3



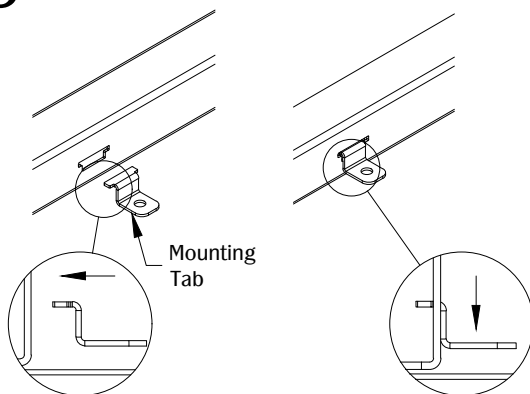
Secure leg to frames by using (2) M8 X 1.0 X 25.00mm flat head socket cap screws. Repeat step (8) times.

4



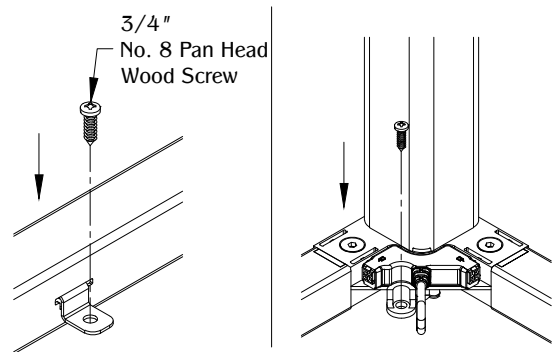
Use the 7/32" double head hex key to tighten (8) M8 X 1.0 X 25.00mm flat head socket cap screws.

5



Install mounting tabs by pressing in and pulling down. Repeat step (4) times

6

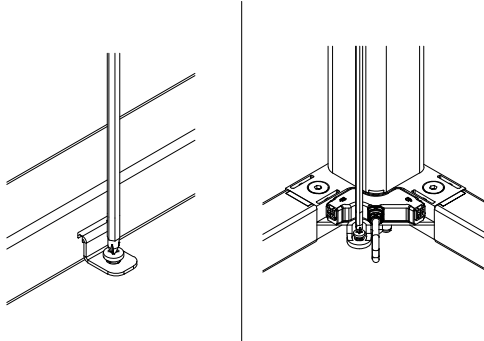


Align (8) 3/4" No. 8 pan head wood screws to the (4) mounting brackets and the (4) TLEL6 legs.

TLEL6

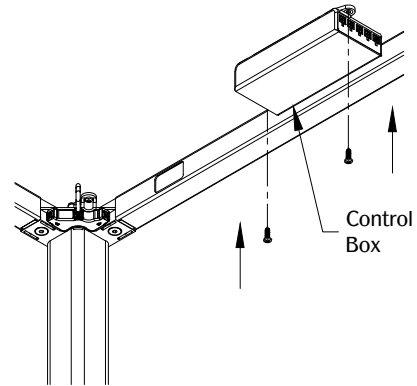
PROPRIETARY AND CONFIDENTIAL.
ALL DIMENSIONS HAVE A +/- 1/8" TOLERANCE UNLESS OTHERWISE SPECIFIED. WE DO NOT RECOMMEND DRILLING OR CUTTING ANY HOLES BEFORE RECEIVING A PRODUCT OR A PRODUCT SAMPLE.

7



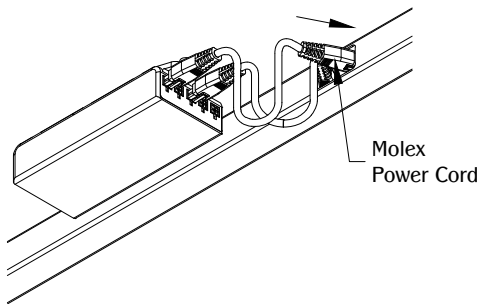
Secure mounting tabs and TLEL6 leg to table by tightening (8) 3/4" No.8 pan head wood screws with 7/32" double head hex key.

8



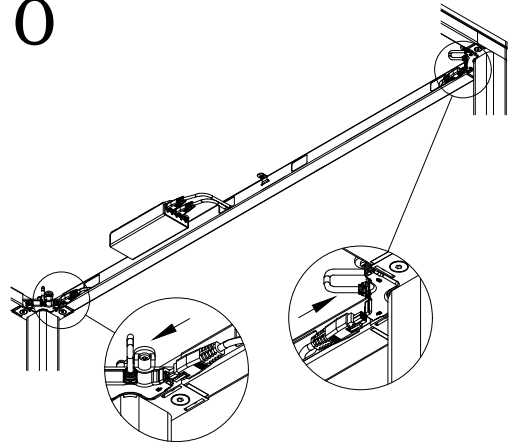
Attach control box to table by using (2) 3/4" No. 8 pan head wood screws.

9



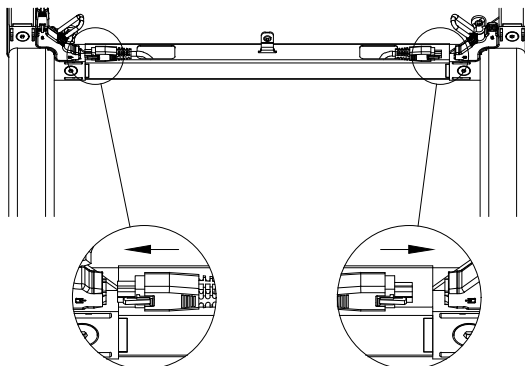
Plug (2) Molex power cord into control box and feed the other side through the long frame opening.

10



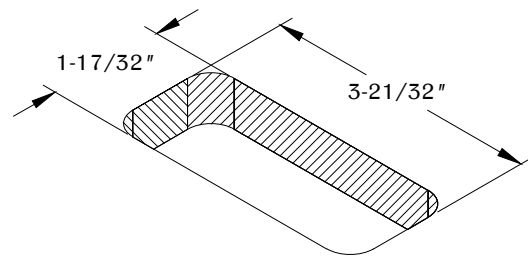
Once you have fed Molex power cord through opening on long frame plug each side into TLEL6 legs.

11



Feed Molex power cord through opening on short frame and plug each side into TLEL6 legs. Repeat step on opposite side.

12



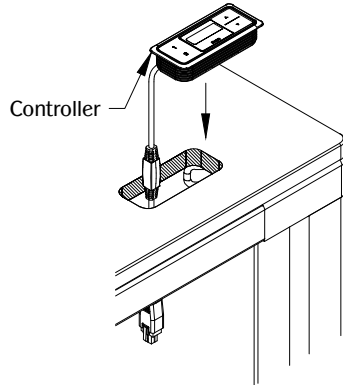
Determine the position and location of the controller on the work surface. Make a 1-17/32" X 3-21/32" cutout.

TLEL6

PROPRIETARY AND CONFIDENTIAL.

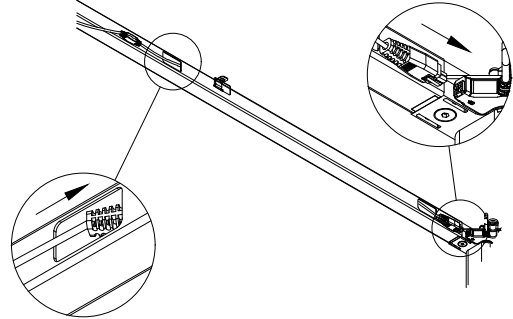
ALL DIMENSIONS HAVE A +/- 1/8" TOLERANCE UNLESS OTHERWISE SPECIFIED. WE DO NOT RECOMMEND DRILLING OR CUTTING ANY HOLES BEFORE RECEIVING A PRODUCT OR A PRODUCT SAMPLE.

13



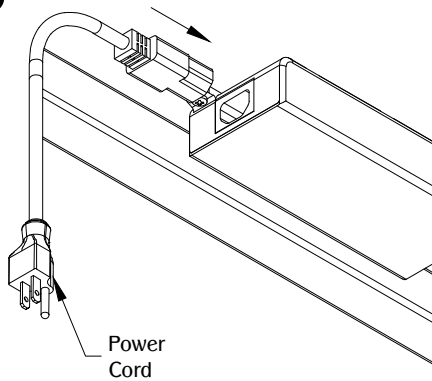
Guide controller power cord through the cutout. Install the controller into the cutout.

14



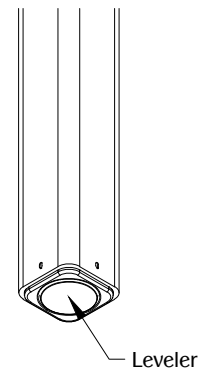
Feed controller wire into open slot on long frame. Once you have pushed it through to the other side, plug it into the TLEL6 leg.

15



Connect power cord to control box. Do NOT place where cable is strained or trapped. Plug into nearby outlet and TLEL6 is ready to use.

16



Adjust the leveler to desired height.

TLEL6

PROPRIETARY AND CONFIDENTIAL.

ALL DIMENSIONS HAVE A +/- 1/8" TOLERANCE UNLESS OTHERWISE SPECIFIED. WE DO NOT RECOMMEND DRILLING OR CUTTING ANY HOLES BEFORE RECEIVING A PRODUCT OR A PRODUCT SAMPLE.

SAFETY INFORMATION

To reduce the risk of death, serious injury, or property damage, read and follow this safety information and provided instructions when assembling this product. Do not change or replace components and accessories provided by MOCKETT.

INSTALL ONLY APPROVED WORK SURFACES.

This table system does not include a work surface (desktop). Work surface must be at least 3/4" thick and weigh no more than 5lbs. per square foot (For example, a 2' x 6' desktop should weigh no more than 60 lbs). We recommend your table top not exceed 75 lbs. To prevent table from tipping or collapsing, make sure the desk frame is not overloaded by the weight of tabletop and objects you plan to put on table.

KEEP AWAY FROM SMALL CHILDREN

This table system is not designed for use in homes or other areas accessible by small children. Recommended for indoor commercial office use only.

BE CAREFUL WHEN ADJUSTING DESK HEIGHT

Body parts and property can be caught between the moving work surface and an immobile obstacle (such as shelves, furniture, window sills, or walls). Keep at least one inch of clearance around desk and make sure nothing is in table's path for its entire range of motion.

BEFORE RAISING AND LOWERING

- Check surroundings on all sides of desk are clear.
- Make sure corded objects will not be pulled off table or cause other objects to fall.
- Make sure desk power cord moves freely as desk moves up and down.

DO NOT OVERLOAD DESK

To prevent table from tipping or collapsing, make sure the desk frame is not overloaded by the weight of tabletop and objects on table. Evenly distribute load; excess loads near edges can reduce stability and lead to tip over.

- Do not exceed maximum load (including maximum weight of desktop) of 220 lbs.
- Do not sit or stand on table.

USE CARE WHEN MOVING DESK

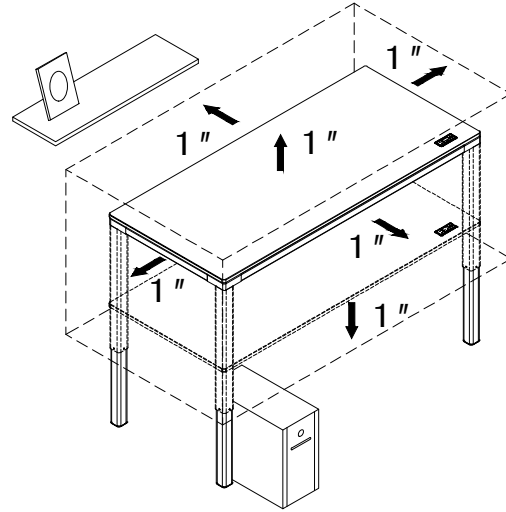
- Clear objects and equipment from table before moving to reduce the risk of tipping over.
- Adjust the desk to its lowest height before moving.
- To disconnect, turn all controls to the off position, then remove plug from outlet.
- Do not move a loaded desk.
- Do not lift the desk by the work surface (desktop).

DO NOT OPEN ELECTRICAL COMPONENTS

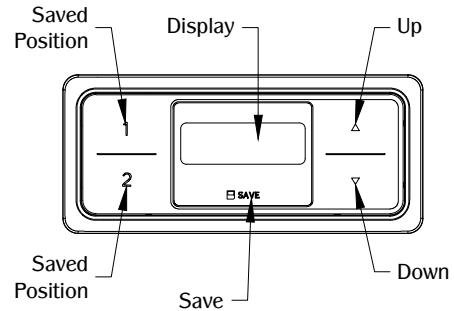
Do not attempt to service table components. There are no user-serviceable parts inside the motor control units or table legs. If your table needs service, contact MOCKETT.

KEEP TABLE FRAME DRY

Keep all electrical components away from water and high humidity. Clean only with a dry or slightly damp cloth. Do not spray cleaning solutions onto table system.



CONTROLLER



OPERATING TLEL6 CONTROLLER

1. Press 'Up' button, to move the legs up.
2. Press 'Down' drive button, to move the legs down.

Note: Hold down buttons until the desired height has been reached.

SAVING MEMORY POSITIONS

This function allows you to save a certain table height. Up to 2 different heights can be saved. These saved positions can be reset at a later time.

1. Position the table at the desired height.
2. Press the 'Save' button twice.
3. Wait a second, then press desired number on controller.

Note: If the position button is not pressed within two seconds after pressing the 'Save' button, nothing will be saved. The current height appears again on display.

MOVING TO MEMORY POSITIONS

1. Press and hold the position buttons. The TLEL6 will move to the save positions as long as the button is held down. If the button is released, the leg will stop.