

TLEL5

PROPRIETARY AND CONFIDENTIAL.
ALL DIMENSIONS HAVE A +/- 1/8" TOLERANCE UNLESS OTHERWISE SPECIFIED. WE DO NOT RECOMMEND DRILLING OR CUTTING ANY HOLES BEFORE RECEIVING A PRODUCT OR A PRODUCT SAMPLE.



WARNING

- For indoor use only.
- If any malfunction occurs, do not attempt to disassemble or repair.
- Avoid placing the leg in a high temperature environment or near fire.
- Do not make contact with water, corrosive liquid, inflammable and explosive substance during the use of the product. If such a situation occurs, please pull out the power cord of the product out of the wall outlet immediately.
- This product is strictly prohibited to be exposed to heat, cold or humidity.

SPECIFICATIONS

- 9 ft. power cord length.
- Weight capacity is 220 lbs.
- Recommended table thickness is 19.00mm (3/4").
- Recommended table top is 609.50mm (24") MIN. X 1219.00mm (48") MIN. to 762.00mm (30") MAX. X 1778.00mm (70") MAX.

TABLE OF CONTENTS

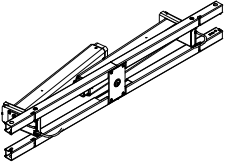

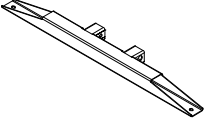



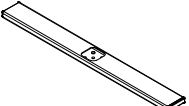


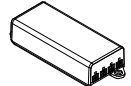

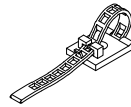
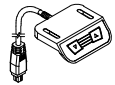
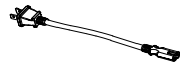
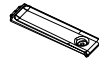


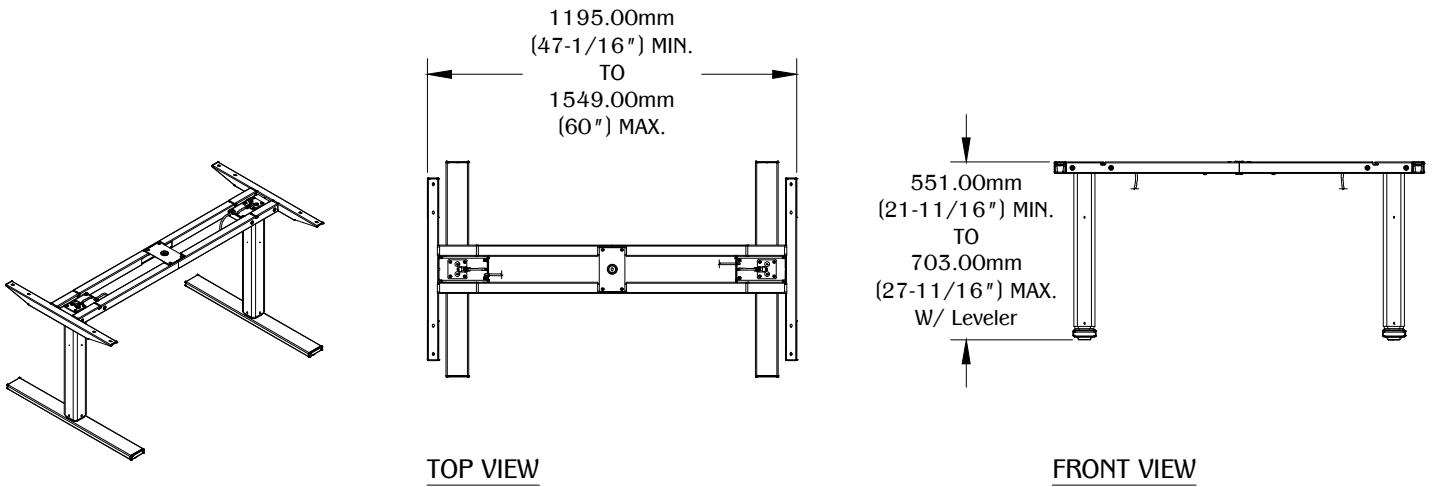
 1X TLEL5 Frame
 9X Rubber Grommet
 2X TLEL5 Top Support
 4X M8 X 1.00mm X 47.00mm Shoulder Bolt
 1X 7/32" Double Head Hex Key
 8X M8 X 1.25mm X 30.00mm Flanged Button Head Screw
 2X TLEL5 Foot

TABLE OF CONTENTS

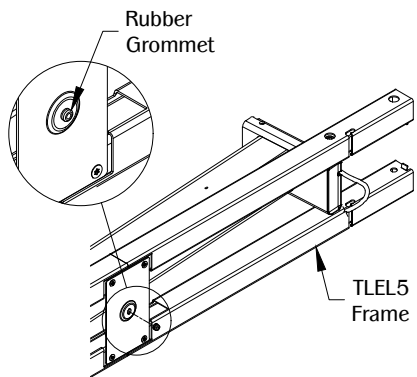
 8X 15/32" No. 5 Self Drilling Metal Screw
 1X 7/32" Hex Key
 1X Control Box
 13X 5/8" No. 8 Pan Head Wood Screw
 2X Cable Management
 1X Controller
 1X Power Cable
 4X Top Support Cover
 2X Hook & Loop Strips
 1X Hook & Loop Wire Manager

TLEL5

PROPRIETARY AND CONFIDENTIAL.
ALL DIMENSIONS HAVE A +/- 1/8" TOLERANCE UNLESS OTHERWISE SPECIFIED. WE DO NOT RECOMMEND DRILLING OR CUTTING ANY HOLES BEFORE RECEIVING A PRODUCT OR A PRODUCT SAMPLE.

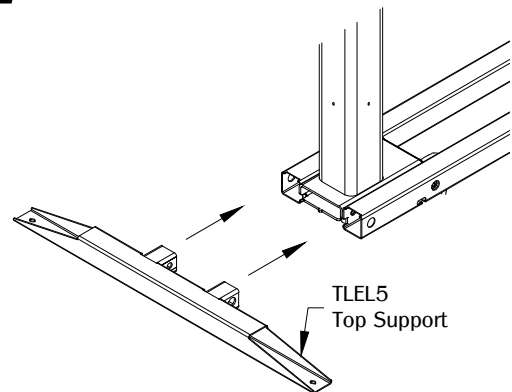


1



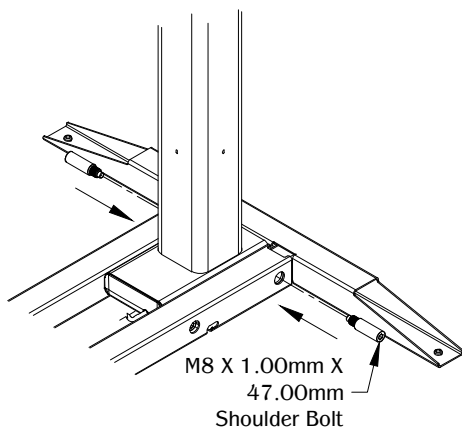
Align the rubber grommet to the hole in the center of the TLEL5 frame.

2



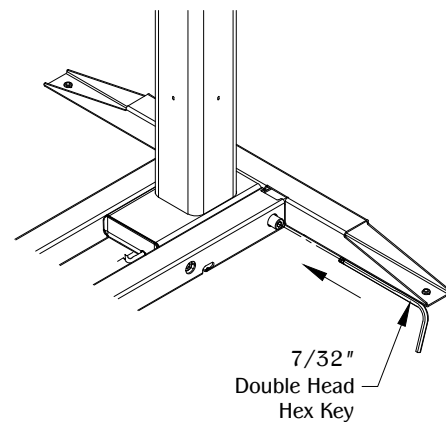
Align and install (2) TLEL5 top supports on each side of the TLEL5 frame.

3



Secure TLEL 5 top supports to TLEL5 frame with (4) M8 X 1.00mm X 47.00mm shoulder bolts.

4

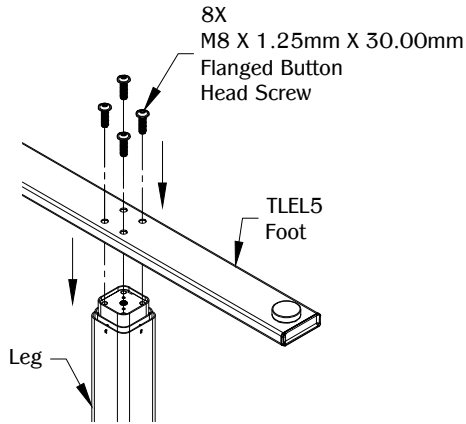


Use the 7/32" double head hex key to tighten (4) M8 X 1.00mm X 47.00mm shoulder bolt.

TLEL5

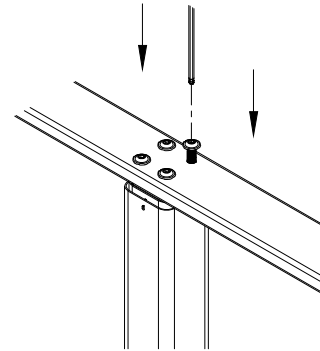
PROPRIETARY AND CONFIDENTIAL.
ALL DIMENSIONS HAVE A +/- 1/8" TOLERANCE UNLESS OTHERWISE SPECIFIED. WE DO NOT RECOMMEND DRILLING OR CUTTING ANY HOLES BEFORE RECEIVING A PRODUCT OR A PRODUCT SAMPLE.

5



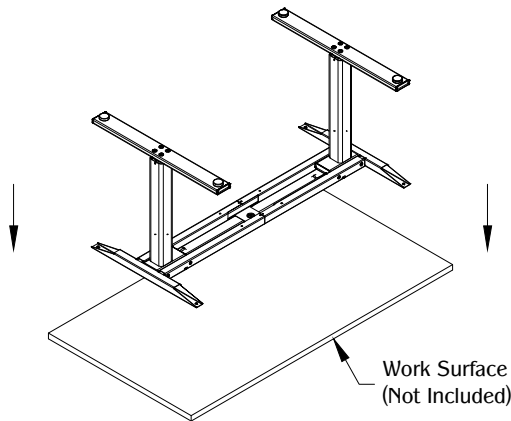
Align the (2) TLEL5 foot and the (4) M8 X 1.25mm 30.00mm flanged button head screws to the (4) holes on the leg.

6



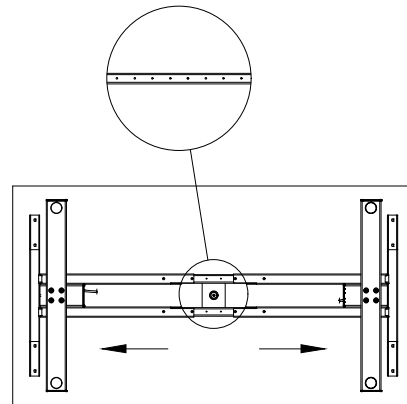
Secure the (2) TLEL5 feet to the leg by tightening (4) M8 X 1.25mm 30.00mm flanged button head screws with the 7/32" double head hex key. (Repeat step 5 & 6 for the other side.)

7



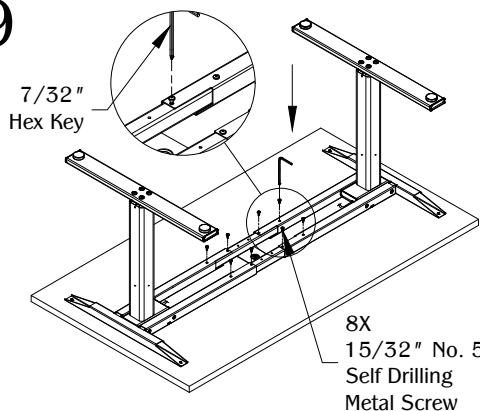
Determine the position and location of the TLEL5 under the work surface. (Note: Please center TLEL5 to the work surface.)

8



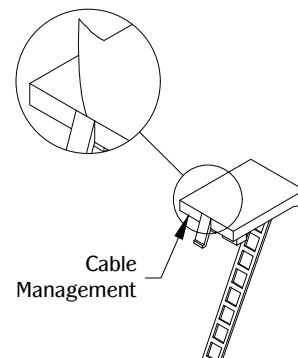
Adjust the TLEL5 setup to desired width.

9



Use (8) 15/32" No. 5 self drilling metal screws to secure length in place. Secure with the 7/32" hex key to tighten the (8) 15/32" No. 5 self drilling screws.

10



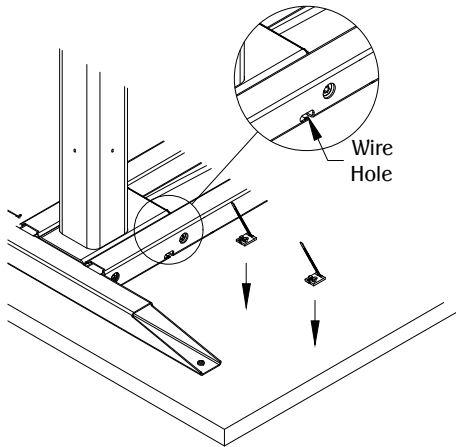
Determine the position and location of the controller under the work surface. Peel off adhesive backing on the (2) cable managements.

TLEL5

PROPRIETARY AND CONFIDENTIAL.

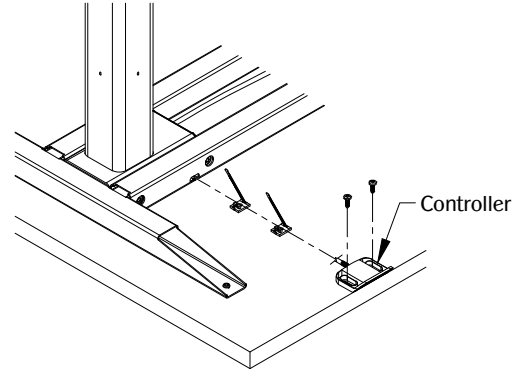
ALL DIMENSIONS HAVE A +/- 1/8" TOLERANCE UNLESS OTHERWISE SPECIFIED. WE DO NOT RECOMMEND DRILLING OR CUTTING ANY HOLES BEFORE RECEIVING A PRODUCT OR A PRODUCT SAMPLE.

11



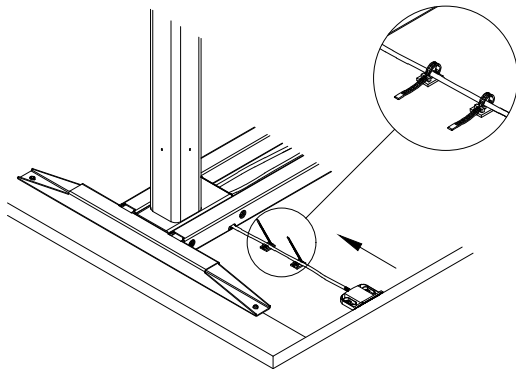
Determine the position and location of the (2) cable management under the work surface.

12



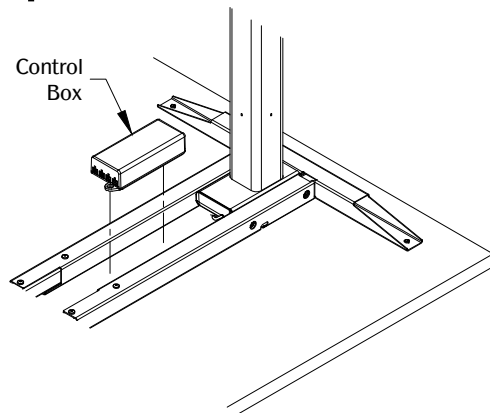
Secure the controller with (2) 5/8" No. 8 pan head wood screws.

13



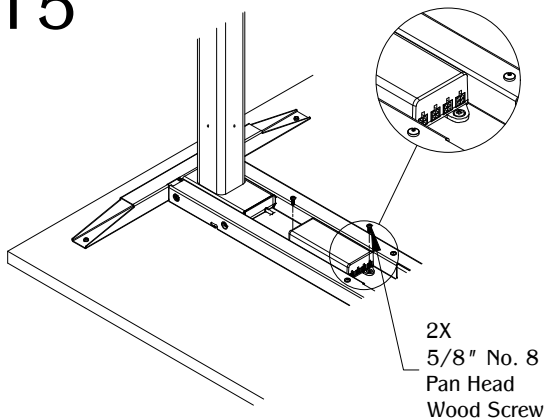
Feed wires through the (2) cable management and through the wire hole on the side of the TLEL5 leg. Secure wires in place by tightening the (2) cable management.

14



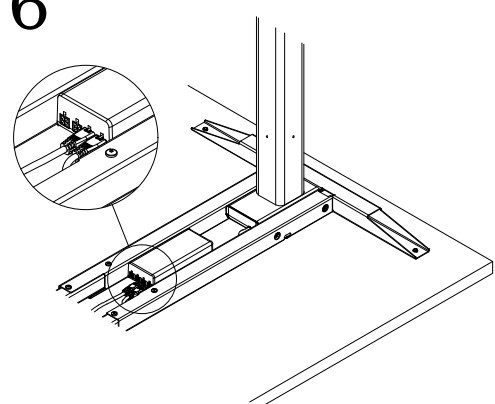
Place control box under work surface in-between the bars of the TLEL5 frame.

15



Secure control box to work surface with (2) 5/8" No. 8 pan head wood screws.

16

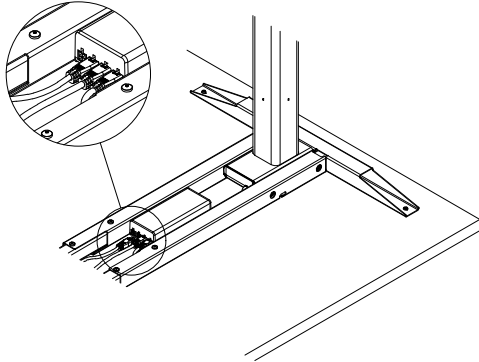


Plug power cords attached to each side of the TLEL5 leg into control box.

TLEL5

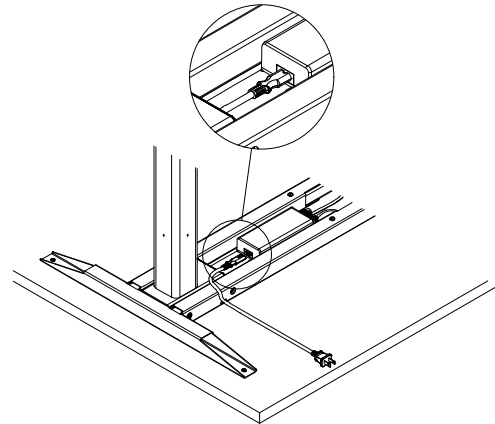
PROPRIETARY AND CONFIDENTIAL.
ALL DIMENSIONS HAVE A +/- 1/8" TOLERANCE UNLESS OTHERWISE SPECIFIED. WE DO NOT RECOMMEND DRILLING OR CUTTING ANY HOLES BEFORE RECEIVING A PRODUCT OR A PRODUCT SAMPLE.

17



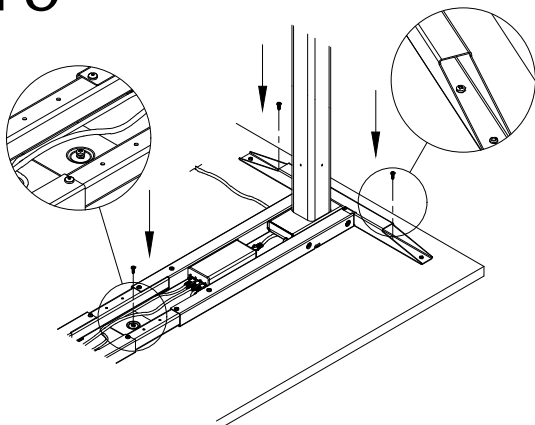
Plug controller into control box.

18



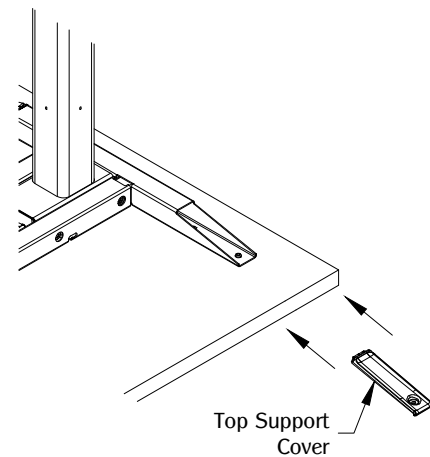
Connect power cord to control box.

19



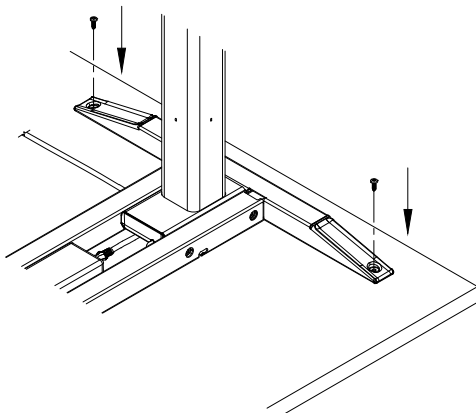
Align TLEL5 to work surface and secure with (5) 5/8" No. 8 pan head wood screws.

20



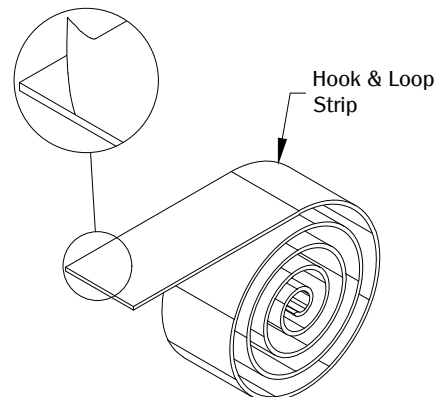
Place (4) top support covers in the (4) open slots on the TLEL5 (2) top supports.

21



Once (4) top support covers are locked in place secure by using (4) 5/8" pan head wood screw.

22



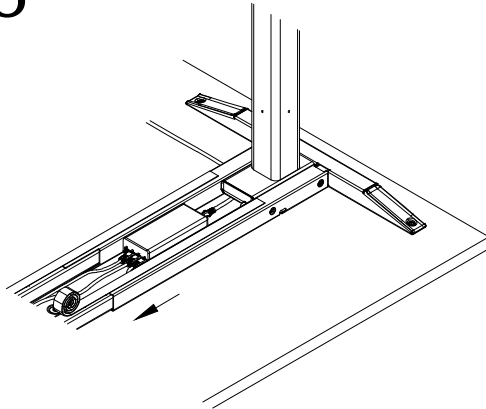
Peel off of the off adhesive backing on the (2) hook & loop strips.

TLEL5

PROPRIETARY AND CONFIDENTIAL.

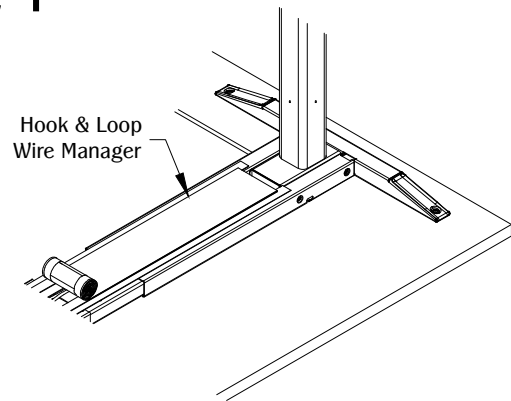
ALL DIMENSIONS HAVE A +/- 1/8" TOLERANCE UNLESS OTHERWISE SPECIFIED. WE DO NOT RECOMMEND DRILLING OR CUTTING ANY HOLES BEFORE RECEIVING A PRODUCT OR A PRODUCT SAMPLE.

23



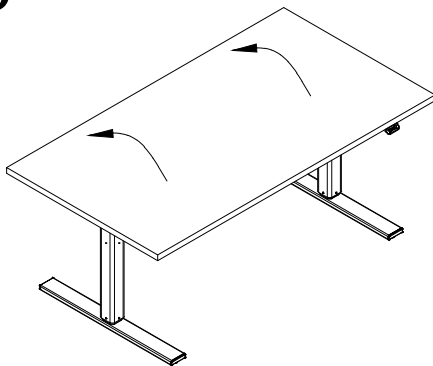
Lay the (2) hook & loop strips along each side of the TLEL5 frame.

24



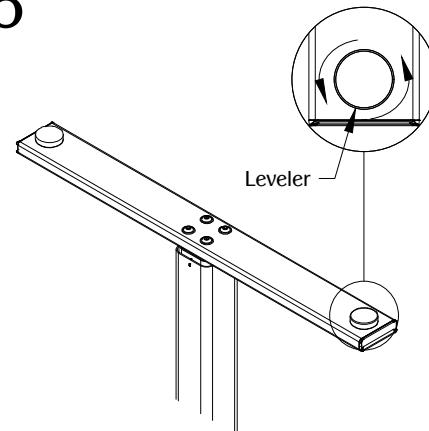
Install the hook & loop wire manager over the hook & loop strips to cover wires.

25



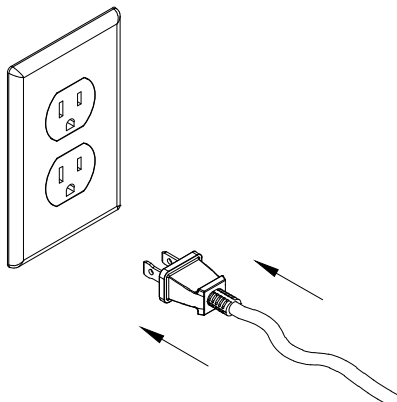
Once you have completed assembling TLEL5 and successfully mounted it to the work surface, flip it right side up.

26



If needed adjust the leveler to desired height .

27



DO NOT place table where cable is strained or trapped. Plug into nearby outlet and TLEL5 is ready for use.

TLEL5

PROPRIETARY AND CONFIDENTIAL.

ALL DIMENSIONS HAVE A +/- 1/8" TOLERANCE UNLESS OTHERWISE SPECIFIED. WE DO NOT RECOMMEND DRILLING OR CUTTING ANY HOLES BEFORE RECEIVING A PRODUCT OR A PRODUCT SAMPLE.

SAFETY INFORMATION

To reduce the risk of death, serious injury, or property damage, read and follow this safety information and provided instructions when assembling this product. Do not change or replace components and accessories provided by MOCKETT.

INSTALL ONLY APPROVED WORK SURFACES

This table system does not include a work surface (desktop). Work surface must be at least 3/4" thick and weigh no more than 5lbs. per square foot (For example, a 2' x 6' desktop should weigh no more than 60 lbs). We recommend your table top not exceed 75 lbs.

KEEP AWAY FROM SMALL CHILDREN

This table system is not recommended for use in homes or other areas accessible by small children. Recommended for indoor commercial office use only.

BE CAREFUL WHEN ADJUSTING DESK HEIGHT

Body parts and property can be caught between the moving work surface and an immobile obstacle (such as shelves, furniture, window sills, or walls). Keep at least one inch of clearance around desk and make sure nothing is in table's path for its entire range of motion.

BEFORE RAISING AND LOWERING

- Check surroundings on all sides of desk are clear.
- Make sure corded objects will not be pulled off table or cause other objects to fall.
- Make sure desk power cord moves freely as desk moves up and down.

DO NOT OVERLOAD DESK

Evenly distribute load; excess loads near edges can reduce stability and lead to tip over.

- Do not exceed maximum load (including maximum weight of desktop) of 220 lbs.
- Do not sit or stand on table.

USE CARE WHEN MOVING DESK

- Clear objects and equipment from table before moving to reduce the risk of tipping over.
- Adjust the desk to its lowest height before moving.
- To disconnect remove plug from outlet.
- Do not move a loaded desk.
- Do not lift the desk by the work surface (desktop).

DO NOT OPEN ELECTRICAL COMPONENTS

Do not attempt to service table components. There are no user-serviceable parts inside the motor control units or table legs. If your table needs service, contact MOCKETT.

KEEP TABLE FRAME DRY

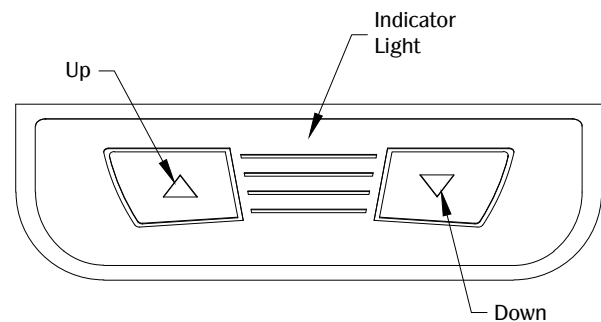
Keep all electrical components away from water and high humidity. Clean only with a dry or slightly damp cloth. Do not spray cleaning solutions onto table system.

AFTER ASSEMBLY: PERFORM AN END POSITION RESET

Once assembly is completed, you may need to perform an end position reset to be able to use table, for example if the table is uneven or if the table top only moves downwards. To do this:

1. Press and hold the DOWN key until the table stops at the lower position limit.
2. Release the DOWN key.
3. Press and hold the DOWN key again. (The table will move down slightly, then again.)
4. Release the DOWN key. (The position reset procedure is complete.)

CONTROLLER



OPERATING TLEL5 CONTROLLER

1. Press 'Up' button, to move the legs up.
2. Press 'Down' drive button, to move the legs down.

TROUBLESHOOTING CONTROLLER

System information is communicated via flashes of led signal light on the controller. Possible signals are as follows.

NO LIGHT

- System operating normally.
- System not connected properly.

RED LIGHT BLINKING (SYSTEM ERROR WARNING)

- Disconnect from the outlet, check cable connections and reconnect.
- If problem persists, see instructions above and perform an end position reset.

GREEN LIGHT BLINKING

- Wait until the LED has stopped blinking to continue. (System start-up/ Reset in progress.)
- Wait until the LED has stopped blinking to continue. (Duty Cycle Exceeded.)

COLLISION DETECTED

- Remove the obstruction from the table system.
- Remove unnecessary loads from the table top.

GREEN LIGHT FLASHING RAPIDLY

- Perform an end position reset.