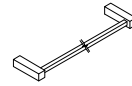

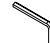



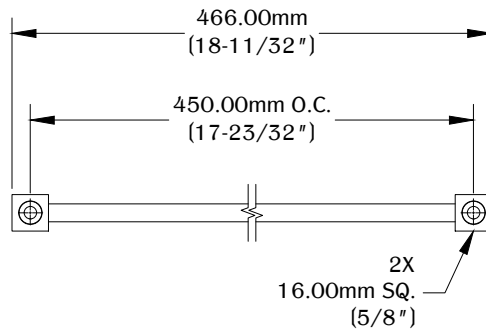
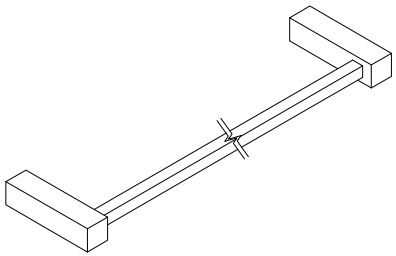


RCK29

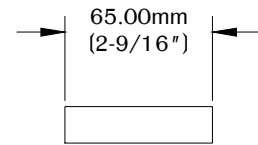
PROPRIETARY AND CONFIDENTIAL.
ALL DIMENSIONS HAVE A +/- 1/32" TOLERANCE UNLESS OTHERWISE SPECIFIED. WE DO NOT RECOMMEND DRILLING OR CUTTING ANY HOLES BEFORE RECEIVING A PRODUCT OR A PRODUCT SAMPLE.

TABLE OF CONTENTS

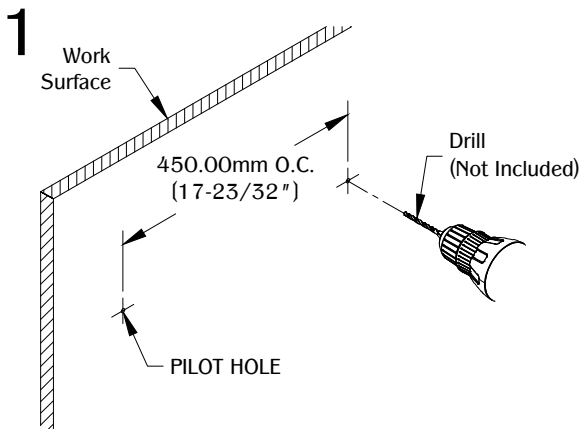
| | |
|---|---|
|  | 1X RCK29 |
|  | 2X Mounting Base |
|  | 1X Hex Key |
|  | 2X Set Screw |
|  | 2X Plastic Anchor |
|  | 2X 1-7/16" No. 8 Wood Screw |



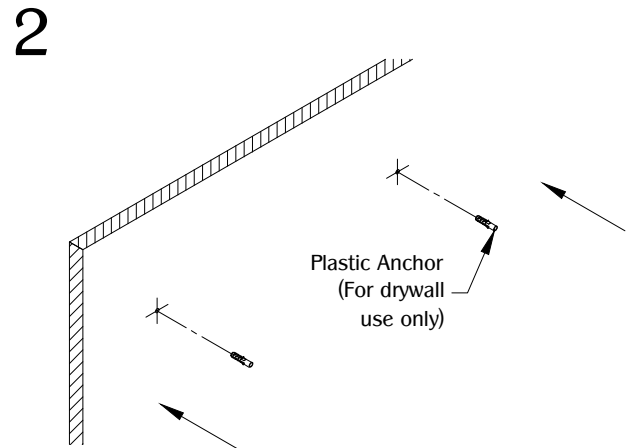
REAR VIEW



SIDE VIEW



Determine the position and location of the part on the work surface. Mark the mounting positions for the mounting hardware and drill (2) 6.00mm (1/4") DIA. pilot holes for drywall installation or (2) 3.00mm (1/8") DIA. pilot holes for wood installation.

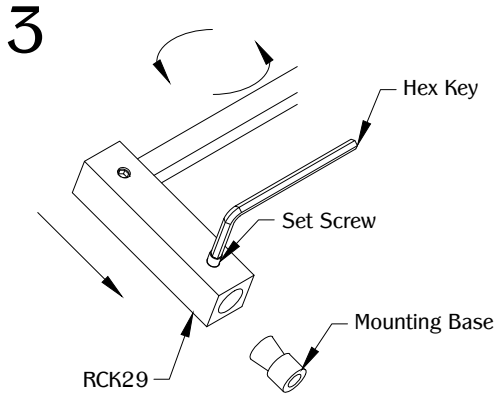


Place (2) plastic anchors into the pilot holes. Skip this step for wood installations.

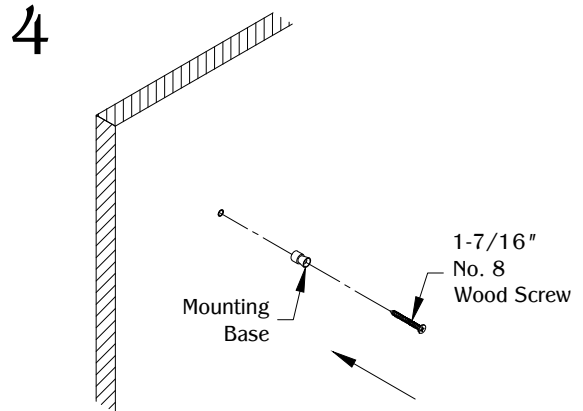
RCK29

PROPRIETARY AND CONFIDENTIAL.

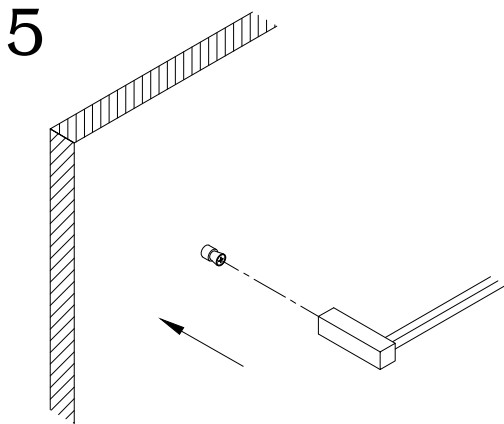
ALL DIMENSIONS HAVE A +/- 1/32" TOLERANCE UNLESS OTHERWISE SPECIFIED. WE DO NOT RECOMMEND DRILLING OR CUTTING ANY HOLES BEFORE RECEIVING A PRODUCT OR A PRODUCT SAMPLE.



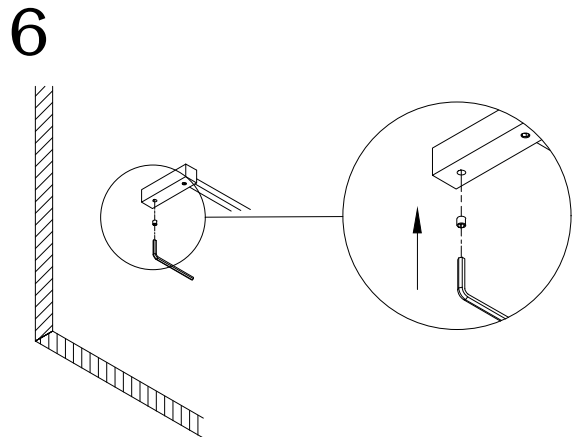
Use hex key to unscrew set screws. Tilt RCK29 down to release mounting base.



Align and secure the (2) mounting bases with (2) 1-7/16" No. 8 wood screws.



Align RCK29 to the (2) mounting bases.



Secure the part using (2) set screws and hand-tighten with the hex key.