

PCS98B/UC

PROPRIETARY AND CONFIDENTIAL.
ALL DIMENSIONS HAVE A +/- 1/16" TOLERANCE UNLESS OTHERWISE SPECIFIED. WE DO NOT RECOMMEND DRILLING OR CUTTING ANY HOLES BEFORE RECEIVING A PRODUCT OR A PRODUCT SAMPLE.



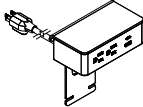
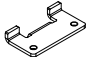



WARNING

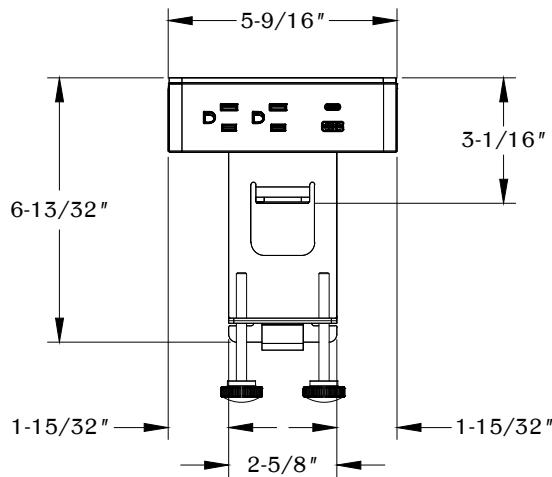
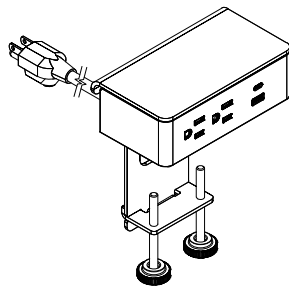
- For indoor use only.
- For use on a normally dry work surface.
- If any malfunction occurs, do not attempt to disassemble or repair.
- Avoid placing the charger in a high temperature environment or near fire.

SPECIFICATIONS

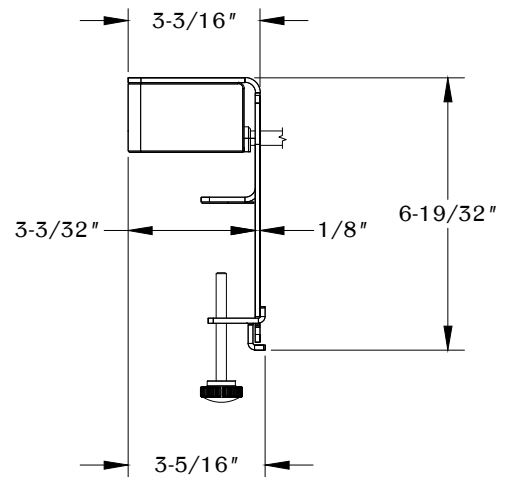
- 6 ft. cord length.
- USB-A and USB-C ports are for charging use only.
- Table thickness is 3/4" MIN. to 2-1/2" MAX.

TABLE OF CONTENTS

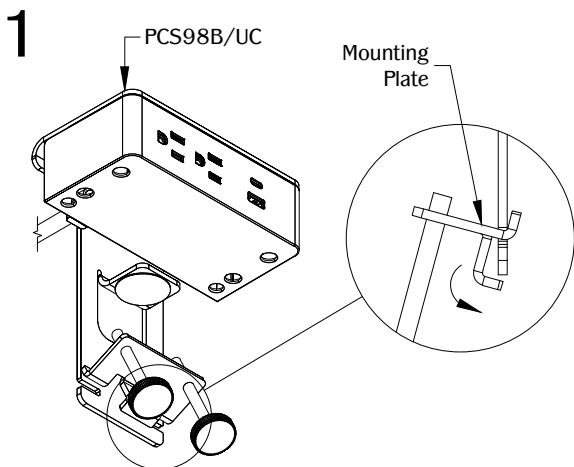
 1X PCS98B/UC
 1X Mounting Clamp
 2X Wire Guide
 2X Thumb Screw
 2X 1/2" No. 10 Pan head Wood Screw



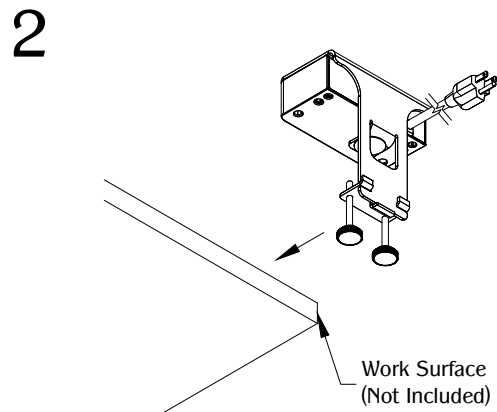
FRONT VIEW



SIDE VIEW



Loosen the thumb screw to install the mounting clamp in the notch at the lower part of the unit.

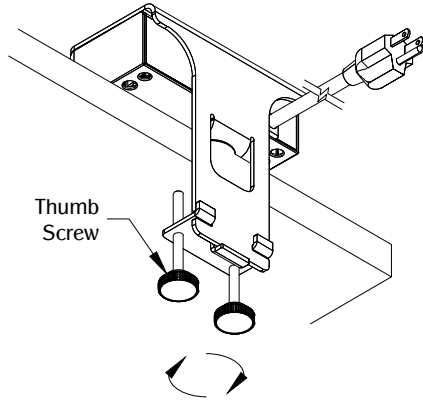


Determine the position and location of the PCS98B/UC on the edge of the work surface. DO NOT place the unit where the cable is strained or trapped.

PCS98B/UC

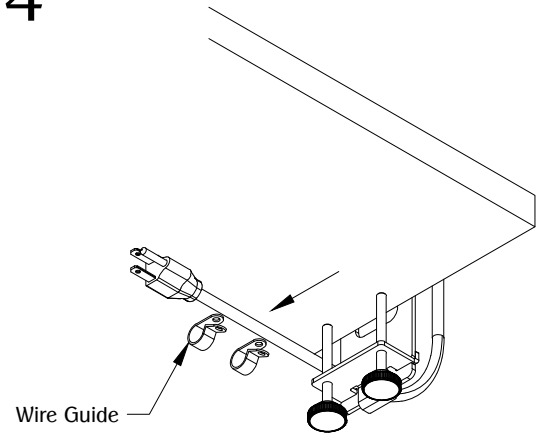
PROPRIETARY AND CONFIDENTIAL.
ALL DIMENSIONS HAVE A +/- 1/16" TOLERANCE UNLESS OTHERWISE SPECIFIED. WE DO NOT RECOMMEND DRILLING OR CUTTING ANY HOLES BEFORE RECEIVING A PRODUCT OR A PRODUCT SAMPLE.

3



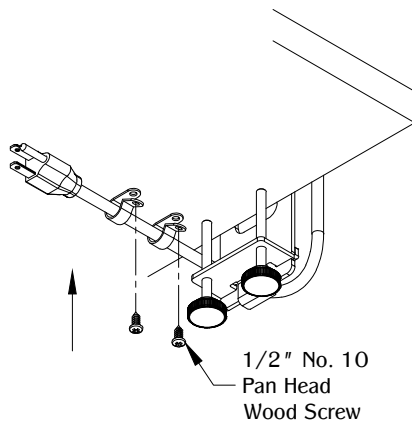
Make sure the PCS98B/UC is fully leveled onto the work surface. Secure the unit by tightening the (2) thumb screws.

4



Place power cord into (2) wire guides.

5



Align the (2) 1/2" No. 10 pan head wood screws with the mounting holes on the wire guides to lock the cord in place under the work surface.