

PCS98B/6PWR

PROPRIETARY AND CONFIDENTIAL.
ALL DIMENSIONS HAVE A +/- 1/16" TOLERANCE UNLESS OTHERWISE SPECIFIED. WE DO NOT RECOMMEND DRILLING OR CUTTING ANY HOLES BEFORE RECEIVING A PRODUCT OR A PRODUCT SAMPLE.

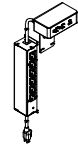




⚠ WARNING ⚠

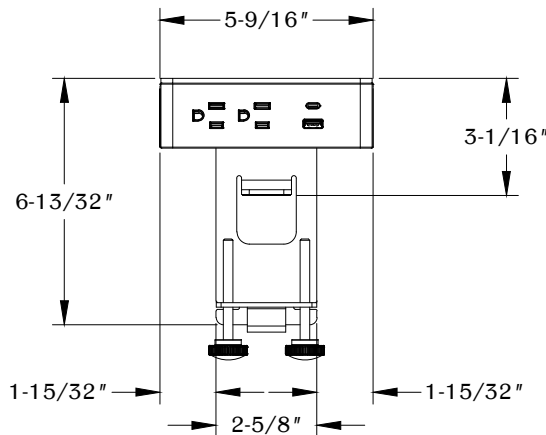
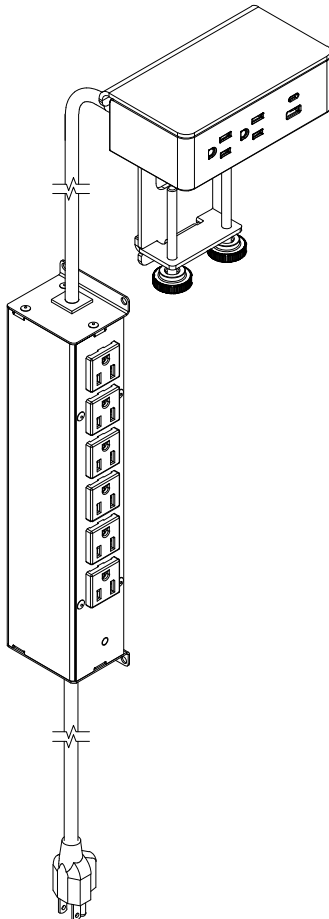
- For indoor use only.
- For use on a normally dry work surface.
- If any malfunction occurs, do not attempt to disassemble or repair.
- Avoid placing the unit in a high temperature environment or near fire.
- Avoid liquid spills into outlet.
- Do not insert foreign objects into the socket.
- Allow enough clearance for part operation.

SPECIFICATIONS

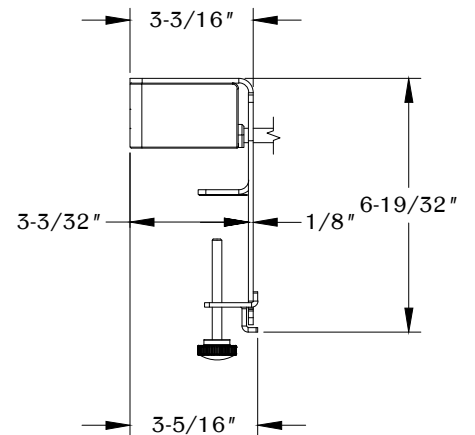
- 2 ft. cord length between PCS98B and 6PWR.
- 6 ft. cord length after 6PWR.
- USB-A and USB-C ports are for charging use only.
- Table thickness is 3/4" MIN. to 2-1/2" MAX.

TABLE OF CONTENTS

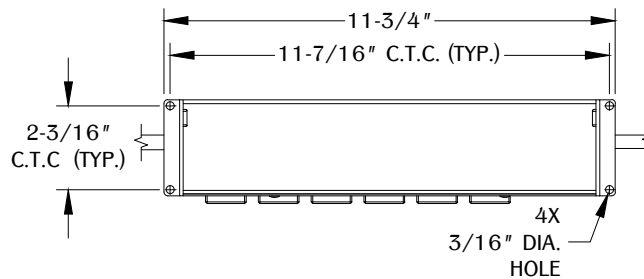
 1X PCS98B/6PWR
 1X Mounting Clamp
 2X Wire Guide
 2X Thumb Screw
 6X 3/4" No. 8 Pan head Wood Screw



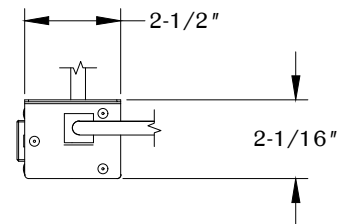
FRONT VIEW



SIDE VIEW



TOP VIEW

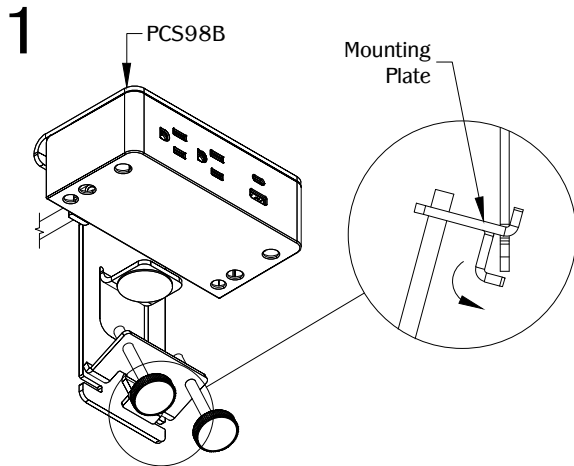


SIDE VIEW

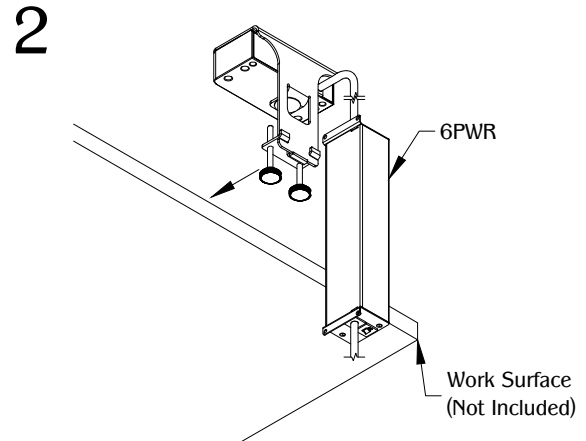
PCS98B/6PWR

PROPRIETARY AND CONFIDENTIAL.

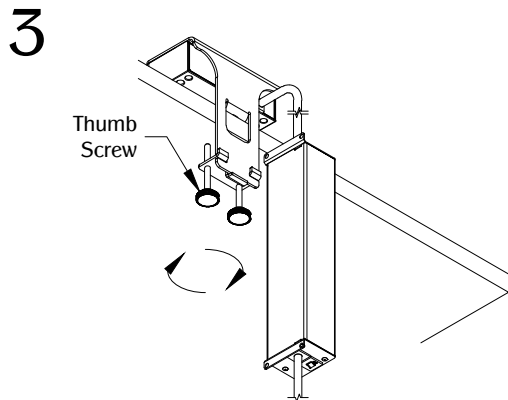
ALL DIMENSIONS HAVE A +/- 1/16" TOLERANCE UNLESS OTHERWISE SPECIFIED. WE DO NOT RECOMMEND DRILLING OR CUTTING ANY HOLES BEFORE RECEIVING A PRODUCT OR A PRODUCT SAMPLE.



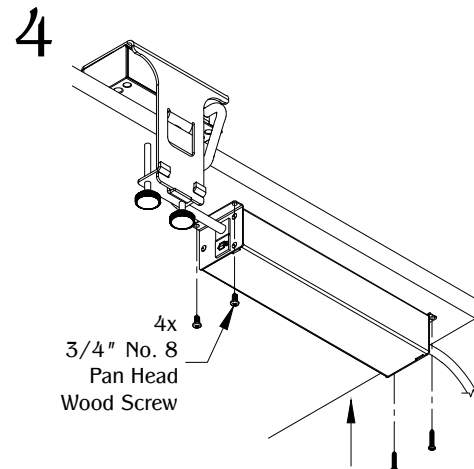
Loosen the thumb screw to install the mounting clamp in the notch at the lower part of the unit.



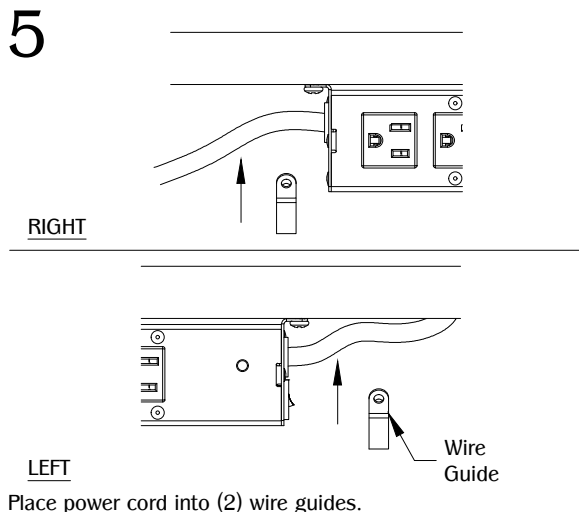
Determine the position and location of the PCS98B on the edge of the work surface. DO NOT place the unit where the cable is strained or trapped.



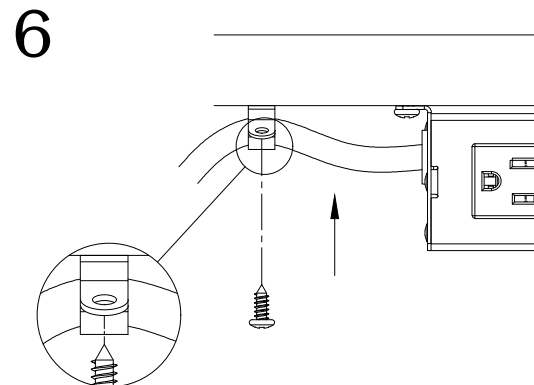
Make sure the PCS98B is fully leveled onto the work surface. Secure the unit by tightening the (2) thumb screws.



Secure part by aligning the (4) 3/4" No. 8 pan head wood screws with the mounting holes on the 6PWR.



Place power cord into (2) wire guides.



Align the (2) 3/4" No. 8 pan head wood screws with the mounting holes on the wire guides to lock the cord in place under the work surface. Plug the unit into a nearby outlet and unit is ready for use.