

PROPRIETARY AND CONFIDENTIAL. All dimensions have a (+/-) 1/32" tolerance unless otherwise specified. We do not recommend drilling or cutting any holes before receiving a product or a product sample.

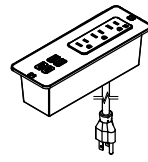
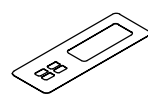


WARNING

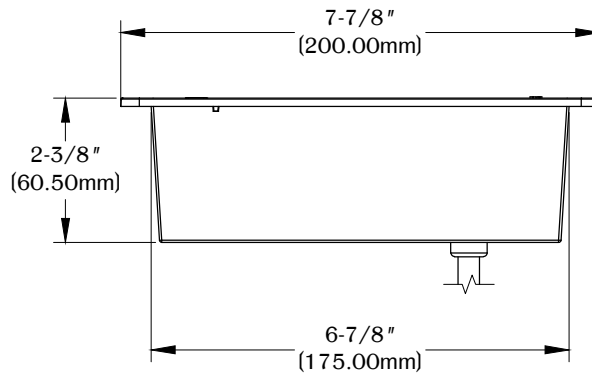
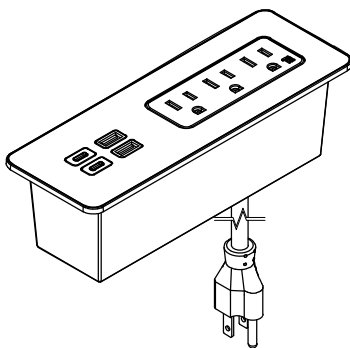
- For indoor use only.
- Not recommended for use on a wet surfaces.
- If any malfunction occurs, do not attempt to disassemble or repair.
- Allow enough clearance for part operation.
- Avoid liquid spills into outlet.
- Do not insert foreign objects into the socket.
- Avoid placing the unit in a high temperature environment or near fire.

SPECIFICATIONS

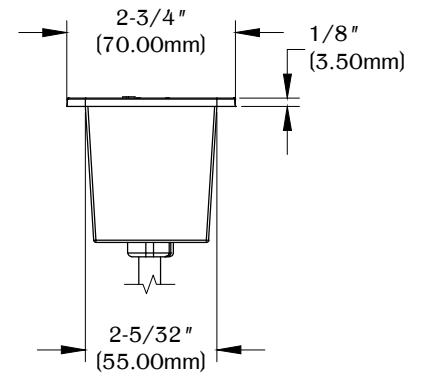
- 5 ft. cord length.
- USB-A and USB-C ports are for charging use only.
- Recommended cutout is 2-7/32" (56.00mm) X 6-15/16" (176.00mm).
- Recommended table thickness is 3/4" (19.00mm) MIN.

TABLE OF CONTENTS

 1X PCS93/UC/S
 3X Face Plate
 2X Plastic Tab
 3X 3/4" No. 4 Flat Head Wood Screw

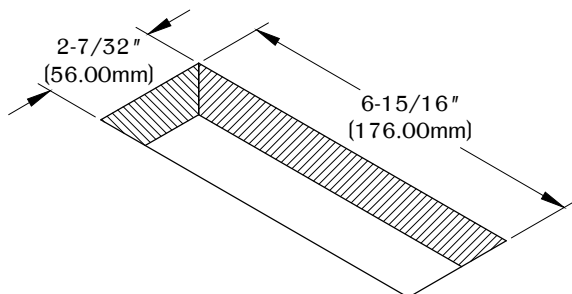


FRONT VIEW



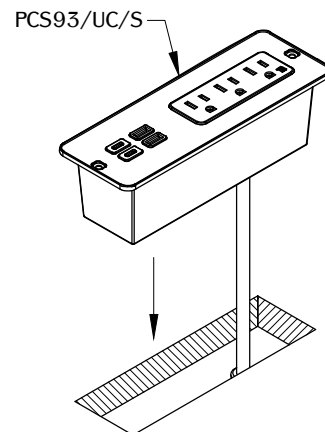
RIGHT VIEW

1



Make a cutout in the desired location on your work surface. Allow enough clearance for unit operation. **DO NOT** place unit where cable is strained or trapped.

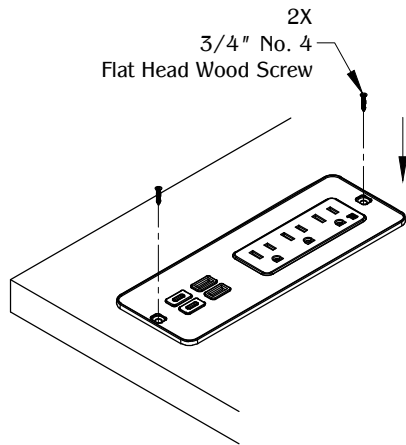
2



Install the PCS93/UC/S into the cutout and make sure it is fully leveled onto the work surface.

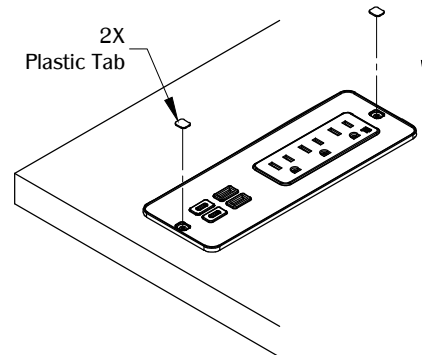
PROPRIETARY AND CONFIDENTIAL. All dimensions have a (+/-) 1/32" tolerance unless otherwise specified. We do not recommend drilling or cutting any holes before receiving a product or a product sample.

3



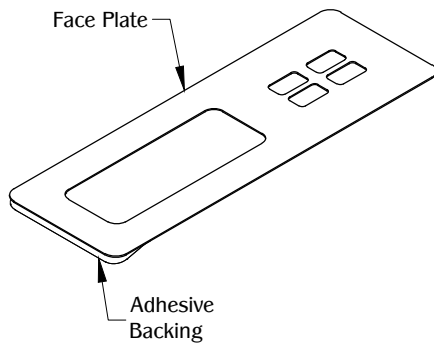
Secure the unit on top of the work surface by using (2) 3/4" No. 4 flat head wood screws.

4



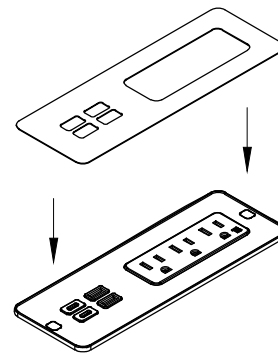
Use (2) plastic tabs to cover the (2) 3/4" No. 4 flat head wood screws.

5



Peel adhesive backing that is located at the bottom of the face plate.

6



Align the face plate to the PCS93/UC/S. Make sure it is fully leveled onto the top surface. Plug the unit into a nearby outlet and the unit is ready for use.