

## PCS85A/UC

PROPRIETARY AND CONFIDENTIAL.  
ALL DIMENSIONS HAVE A +/- 1/16" TOLERANCE UNLESS OTHERWISE SPECIFIED. WE DO NOT RECOMMEND DRILLING OR CUTTING ANY HOLES BEFORE RECEIVING A PRODUCT OR A PRODUCT SAMPLE.

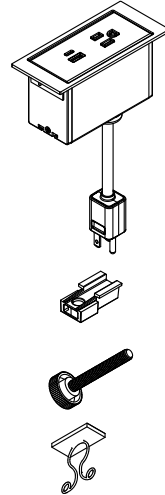
### ⚠ WARNING ⚠

- For indoor use only.
- For use on a normally dry work surface.
- If any malfunction occurs, do not attempt to disassemble or repair.
- Avoid placing the unit in a high temperature environment or near fire.
- Avoid liquid spills into outlet.
- Do not insert foreign objects into the socket.
- Allow enough clearance for part operation.

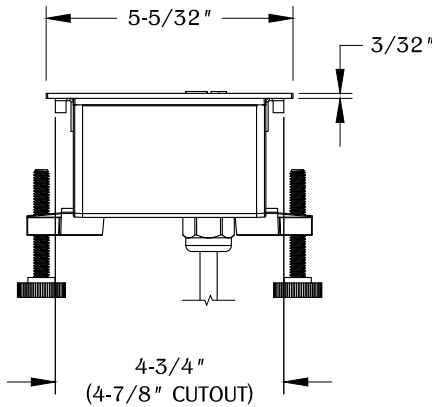
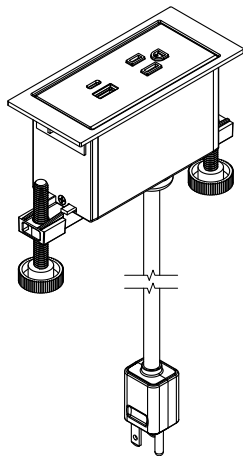
### SPECIFICATIONS

- 6 ft. cord length.
- USB-A and USB-C ports are for charging use only.
- Table thickness is 3/4" MIN. to 1-1/2" MAX.
- Plug dimension is 1-11/32" X 1-1/32" X 7/8".

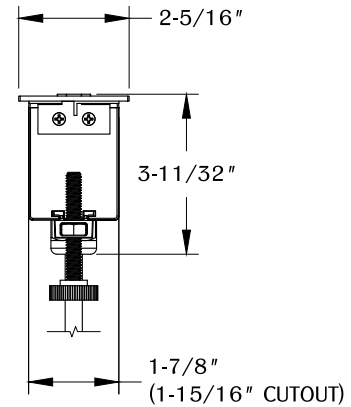
### TABLE OF CONTENTS



.....	1X PCS85A/UC
.....	2X Mounting bracket
.....	2X Thumb screws
.....	1X Wire manager

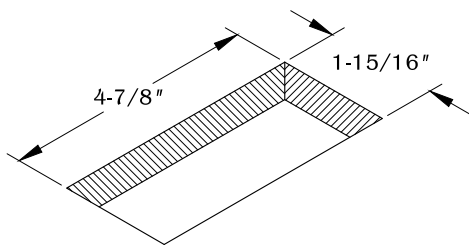


**FRONT VIEW**



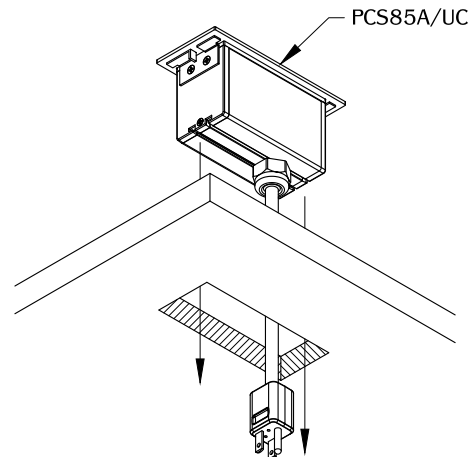
**SIDE VIEW**

1



Make a cutout in the desired location on your work surface. Allow enough clearance for unit operation. DO NOT place unit where cable is strained or trapped. Cut the hole at 1-15/16" X 4-7/8".

2

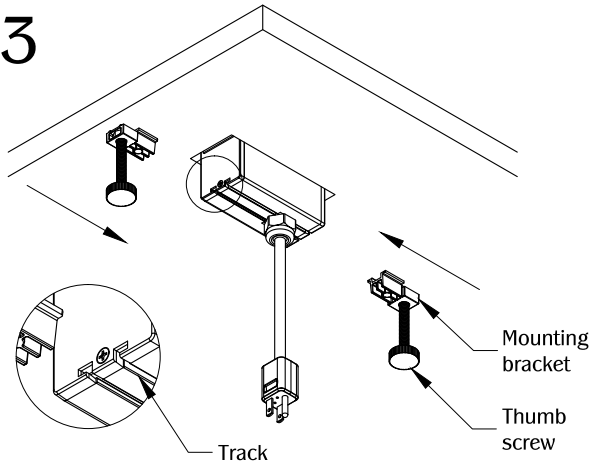


Guide the cord through the cut out. Install the unit into the cutout and make sure it is fully level on the surface.

## PCS85A/UC

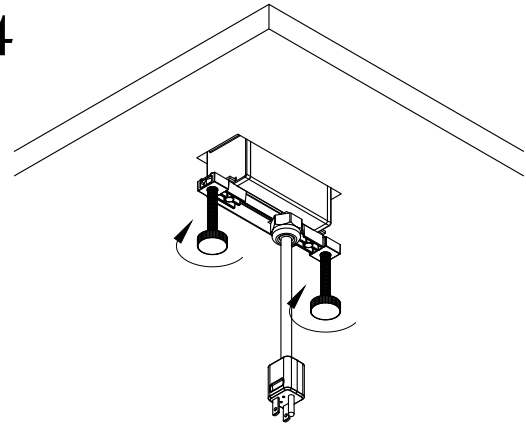
PROPRIETARY AND CONFIDENTIAL.  
ALL DIMENSIONS HAVE A +/- 1/16" TOLERANCE UNLESS OTHERWISE SPECIFIED. WE DO NOT RECOMMEND DRILLING OR CUTTING ANY HOLES BEFORE RECEIVING A PRODUCT OR A PRODUCT SAMPLE.

### 3



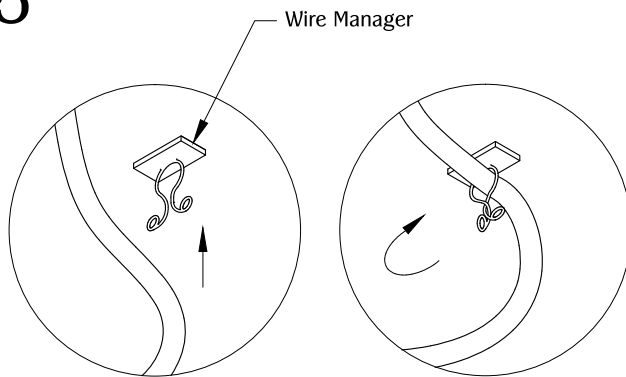
Slide the (2) mounting bracket on onto the track at the bottom of the unit. Secure the part by using the (2) thumb screws.

### 4



Hand-tighten the thumb screws until the unit is secure. Plug the unit into nearby outlet and unit is ready for use.

### 5



Affix optional wire manager under desk for cable management.