

## PCS84/WCUC

PROPRIETARY AND CONFIDENTIAL.  
ALL DIMENSIONS HAVE A +/- 1/32" TOLERANCE UNLESS OTHERWISE SPECIFIED. WE DO NOT RECOMMEND DRILLING OR CUTTING ANY HOLES BEFORE RECEIVING A PRODUCT OR A PRODUCT SAMPLE.

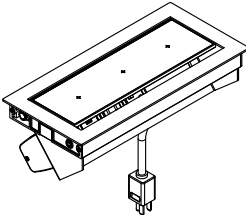


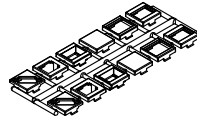
**WARNING**

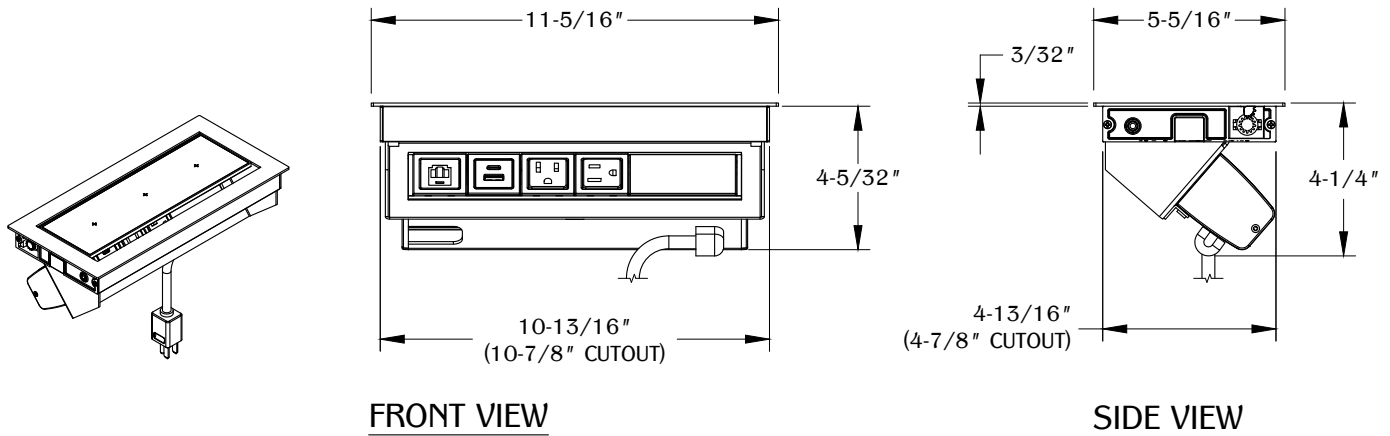
- For indoor use only.
- For use on a normally dry work surface.
- If any malfunction occurs, do not attempt to disassemble or repair.
- Avoid placing the unit in a high temperature environment or near fire.
- Avoid liquid spills into outlet.
- Do not insert foreign objects into the socket.
- Allow enough clearance for part operation.
- Do not place metal on the wireless charging area.
- Metal objects, bank cards, digital IC cards should not be placed between the charger and the phone to avoid damage.

**SPECIFICATIONS**

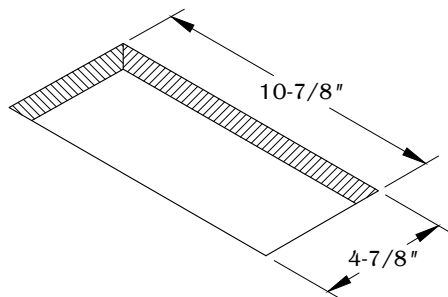
- 6ft. cord length.
  - USB-A and USB-C ports are for charging use only.
  - Mobile device must have a wireless charging receiver.
  - Wireless output is 10W MAX. per charging area.
  - Table thickness is 3/8" MIN. to 1-1/2" MAX.
  - Plug dimension is 1-11/32" X 1-1/32" X 7/8".
  - Please use applicable adapter from data tree.
- (SEE PCS DATA TREE PAGE FOR MORE INFORMATION.)

**TABLE OF CONTENTS**

	..... 1X PCS84/WCUC
	..... 2X Mounting clips
	..... 1X Wire manager
	..... 1X PCS/DT2

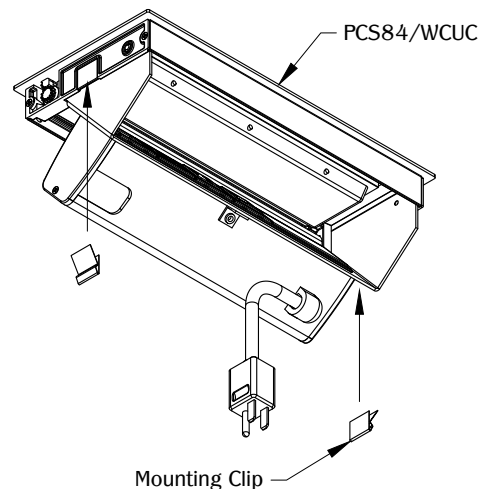


1



Make a cutout in the desired location on your work surface. Allow enough clearance for unit operation. DO NOT place unit where cable is strained or trapped. Cut the hole at 10-7/8" X 4-7/8".

2

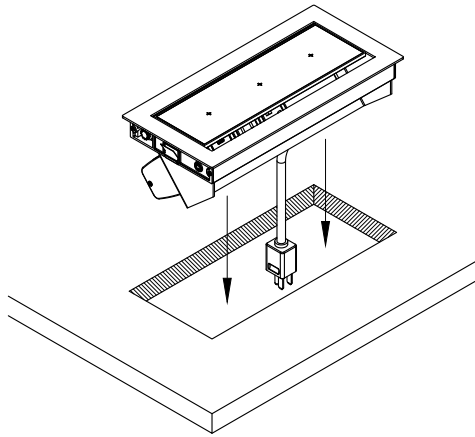


Attach the mounting clips to the sides of the PCS84/WCUC.

## PCS84/WCUC

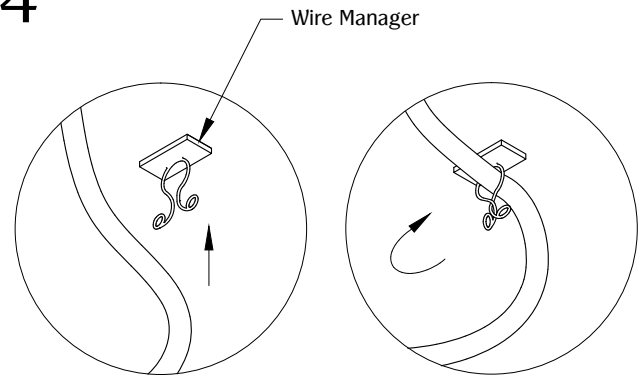
PROPRIETARY AND CONFIDENTIAL.  
ALL DIMENSIONS HAVE A +/- 1/32" TOLERANCE UNLESS OTHERWISE SPECIFIED. WE DO NOT RECOMMEND DRILLING OR CUTTING ANY HOLES BEFORE RECEIVING A PRODUCT OR A PRODUCT SAMPLE.

3



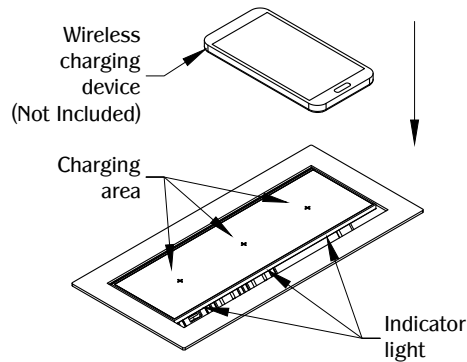
Install the unit into the cutout and make sure it is fully leveled onto the work surface. Plug into a nearby outlet and unit is ready for use.

4



Affix optional wire manager under desk for cable management.

5

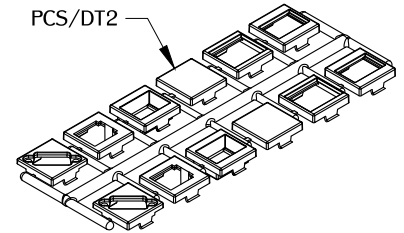


Position the mobile device on the center of the charging area. The indicator light activates to signify that the device is actively charging or the charging icon will activate on the device's screen.

## PCS Data Tree

PROPRIETARY AND CONFIDENTIAL.  
ALL DIMENSIONS HAVE A +/- 1/32" TOLERANCE UNLESS OTHERWISE SPECIFIED. WE DO NOT RECOMMEND DRILLING OR CUTTING ANY HOLES BEFORE RECEIVING A PRODUCT OR A PRODUCT SAMPLE.

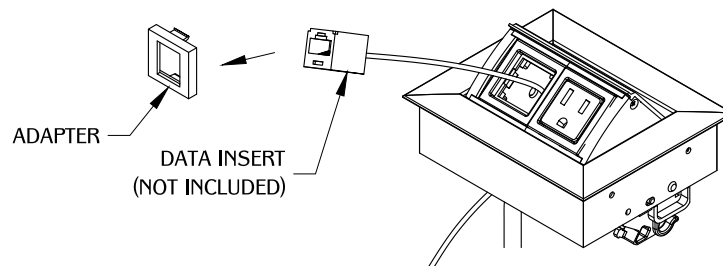
- 1.) Select the appropriate adapter from the chart below. (example: Panduit Mini-Com Series jack would use "FFF" adapter marked on back of adapter.)



\* Jacks, not included, UL Listed (DUXR) or Recognized (DUXR2) jacks required.

Adapter	Manufacturer	Website
BBB	L-Com Keystone Modular	www.L-Com.com
BBB	NETCONNECT, and 110 Connect Series Modular Jack	www.Anixter.com
BBB	Siemon ZMAX Style	www.Siemon.com
BBB	Allen Tel Versa Tap Series	www.Graybar.com
BBB	Leviton Quick Port ® Series	www.Leviton.com
BBB	Belden REVConnect	www.Belden.com
BBB	HDMI Adapter Cable	www.Mockett.com
CCC	Hubbell Nextspeed™ Keystone Series	www.Hubbell-premise.com
CCC	ADC Truenet Series	www.Anixter.com
DDD	Blank (no coupler/jack)	-
EEE	Ortronics TracJack Series	www.Ortronics.com
FFF	Panduit Mini-Com Series	www.Panduit.com
HHH	Video Monitor Jack/DB-15, panel mount solder style	www.Mockett.com

- 2.) Snap Jack into adapter following the instructions provided with the jack.
- 3.) Once assembled, snap adapter into the notched, square holes in the orientation shown.



**NOTE:** Please verify fit of jack in adapter before ordering large quantities as manufacturer designs may change without notice.