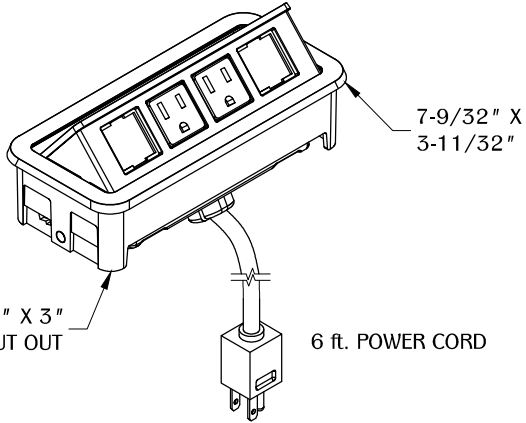
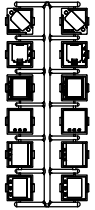


PART # **PCS68/2E-U**

310.318.2491 • 800.523.1269 • www.mockett.com

NOTE:

PLEASE USE APPLICABLE ADAPTER FROM DATA TREE. (SEE PCS DATA TREE PAGE FOR MORE INFORMATION.)

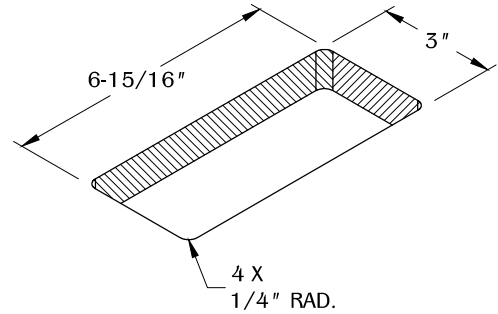


6-15/16" X 3" CUT OUT

6 ft. POWER CORD

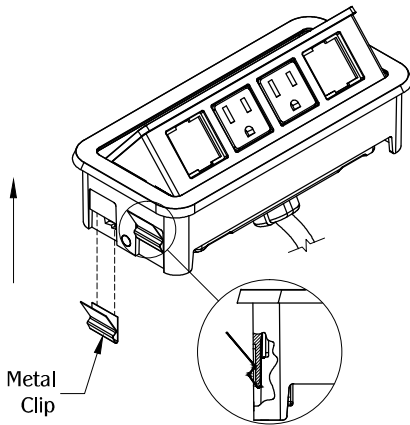
MINIMUM TABLE THICKNESS: 1/2" THICK

1



Make a cut out in the desired work surface. (NOTE: Cut out corners must contain 1/4" radius.)

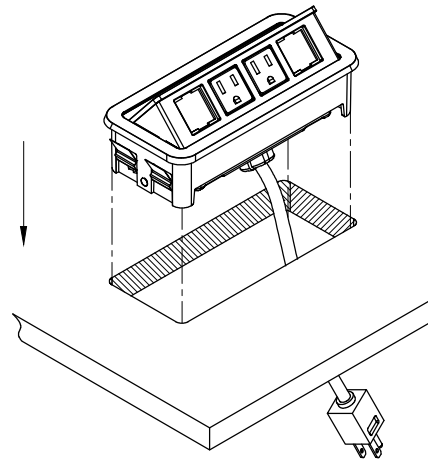
2



Metal Clip

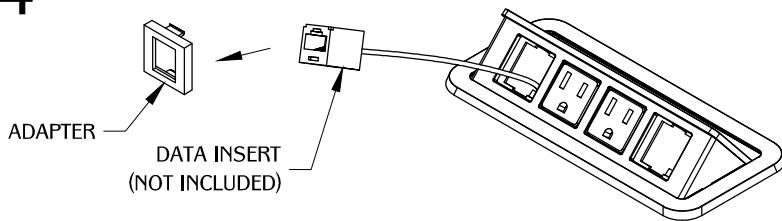
Place the (4) metal clips on both sides of the PCS68 unit.

3



Guide the power cord through the cut out. Install PCS68/2E-U into the cut out and make sure it is fully leveled onto surface.

4

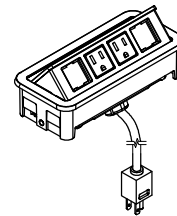


ADAPTER

DATA INSERT (NOT INCLUDED)

Pick desired data adapter from the PCS68 Data tree. Assemble data insert. Once assembled, snap adapter into the notched, square holes in the unit.

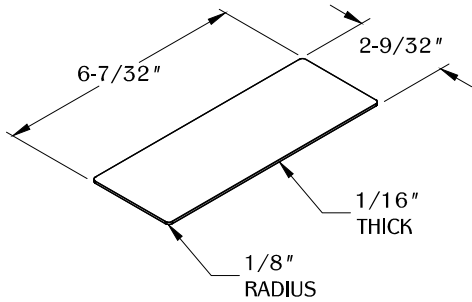
TABLE OF CONTENTS:



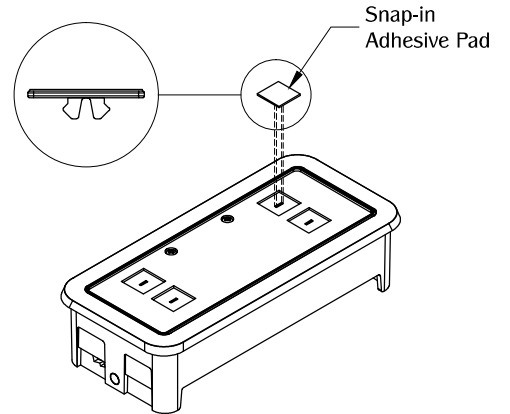
..... 1 X PCS68/2E-U (2 POWER)



..... 4 X Metal Clip

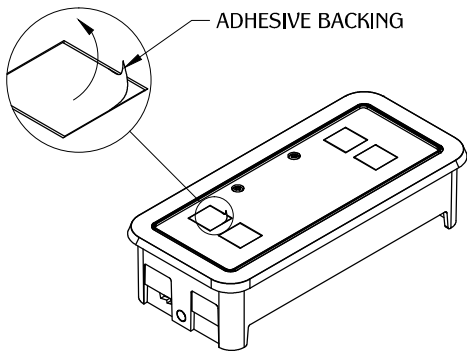


1



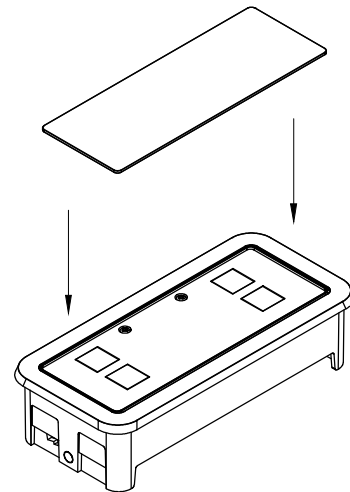
Align the Snap-in Adhesive pads to the top of the unit.

2



Peel off the adhesive backing on four places.

3



4

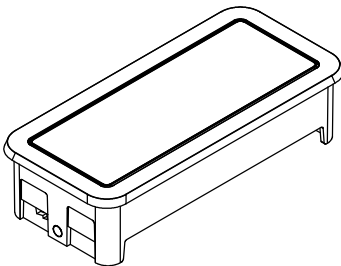
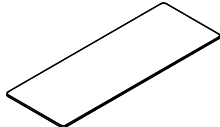
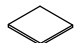
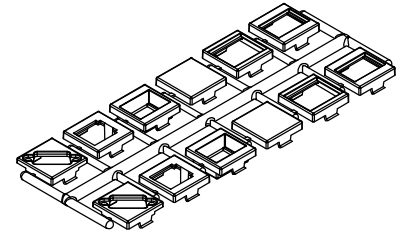


TABLE OF CONTENTS:	
2 X PCS68 Top
4 X Snap-in Adhesive Pad

PCS Data Tree

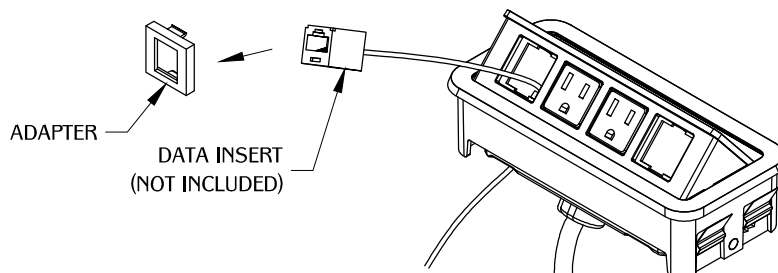
- 1.) Select the appropriate adapter from the chart below. (example: Panduit Mini-Com Series jack would use "FFF" adapter marked on back of adapter.)



*Jacks, not included, UL Listed (DUXR) or Recognized (DUXR2) jacks required.

Adapter	Manufacturer	Website
BBB	L-Com Keystone Modular	www.L-Com.com
BBB	NETCONNECT, and 110 Connect Series Modular Jack	www.Anixter.com
BBB	Siemon ZMAX Style	www.Siemon.com
BBB	Allen Tel Versa Tap Series	www.Graybar.com
BBB	Leviton Quick Port ® Series	www.Leviton.com
BBB	Belden REVConnect	www.Belden.com
BBB	HDMI Adapter Cable	www.Mockett.com
CCC	Hubbell Nextspeed™ Keystone Series	www.Hubbell-premise.com
CCC	ADC Truenet Series	www.Anixter.com
DDD	Blank (no coupler/jack)	-
EEE	Ortronics TracJack Series	www.Ortronics.com
FFF	Panduit Mini-Com Series	www.Panduit.com
HHH	Video Monitor Jack/DB-15, panel mount solder style	www.Mockett.com

- 2.) Snap Jack into adapter following the instructions provided with the jack.
 3.) Once assembled, snap adapter into the notched, square holes in the orientation shown.



NOTE: Please verify fit of jack in adapter before ordering large quantities as manufacturer designs may change without notice.