

## PCS67G/3/UC

PROPRIETARY AND CONFIDENTIAL.  
ALL DIMENSIONS HAVE A +/- 1/16" TOLERANCE UNLESS OTHERWISE SPECIFIED. WE DO NOT RECOMMEND DRILLING OR CUTTING ANY HOLES BEFORE RECEIVING A PRODUCT OR A PRODUCT SAMPLE.

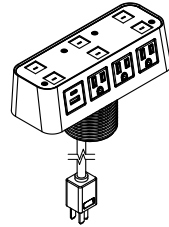


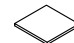

### ⚠ WARNING ⚠

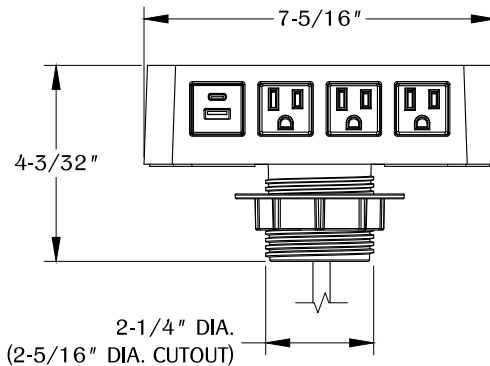
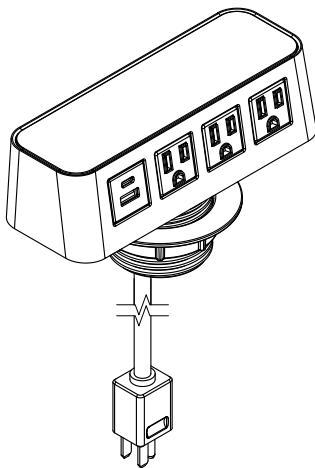
- For indoor use only.
- For use on a normally dry work surface.
- If any malfunction occurs, do not attempt to disassemble or repair.
- Allow enough clearance for part operation.
- Avoid liquid spills into outlet.
- Do not insert foreign objects into the socket.
- Avoid placing the unit in a high temperature environment or near fire.

### SPECIFICATIONS

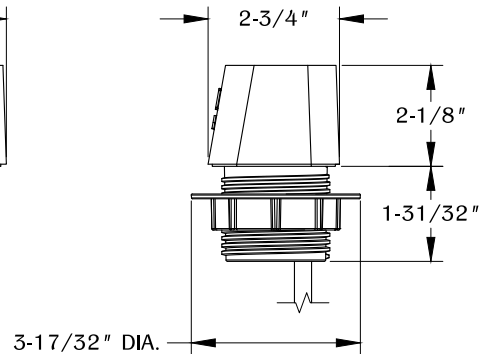
- 6 ft. cord length.
- Plug dimension is 1-11/32" X 1-1/32" X 7/8".
- USB-A & USB-C ports are for charging use only.
- Table thickness is 1/4" MIN. to 1-1/2" MAX.

### TABLE OF CONTENTS

	..... 1X PCS67G/3/UC
	..... 1X Lock ring
	..... 2X Top
	..... 6X Snap-In Adhesive pad
	..... 1X Wire Manager

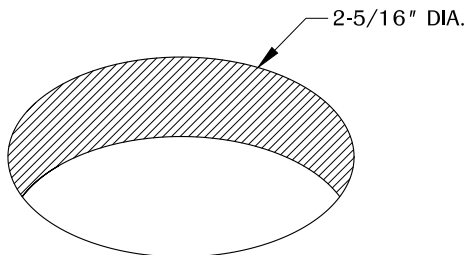


FRONT VIEW



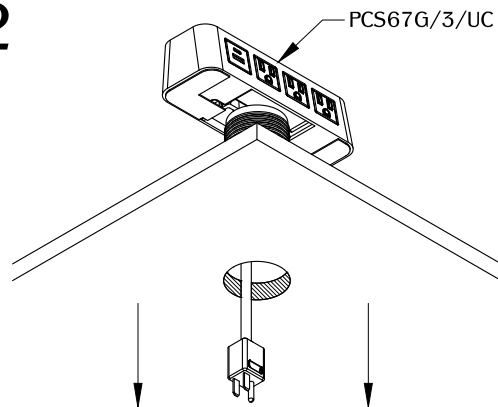
RIGHT VIEW

1



Make a cutout in the desired location on your work surface. Allow enough clearance for unit operation. DO NOT place unit where cable is strained or trapped. Cut a hole at 2-5/16" diameter.

2

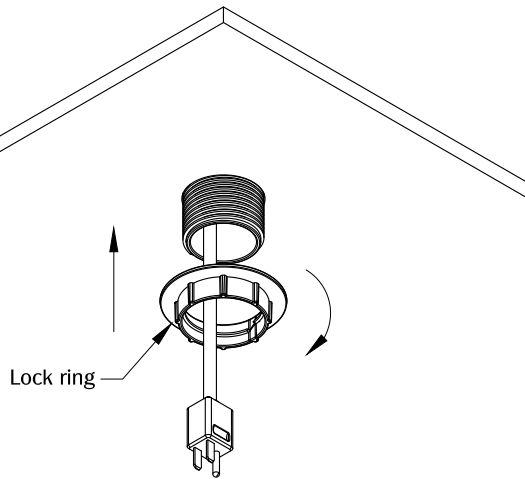


Remove lock ring from unit. Guide the power cord through the cutout. Install the unit into the cutout and make sure it is fully leveled onto the surface.

## PCS67G/3/UC

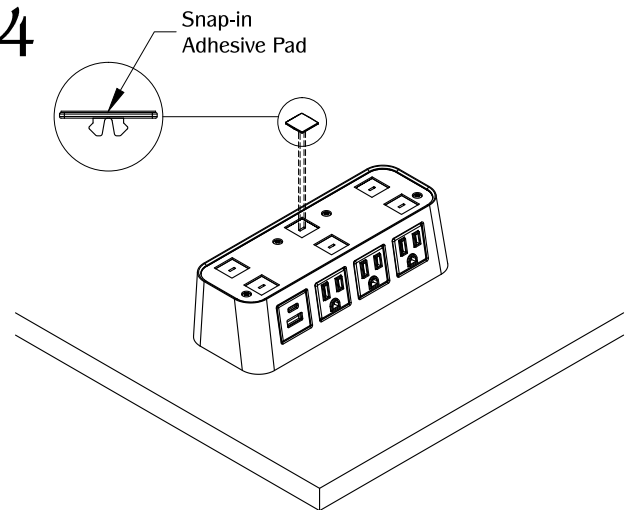
PROPRIETARY AND CONFIDENTIAL.  
ALL DIMENSIONS HAVE A +/- 1/16" TOLERANCE UNLESS OTHERWISE SPECIFIED. WE DO NOT RECOMMEND DRILLING OR CUTTING ANY HOLES BEFORE RECEIVING A PRODUCT OR A PRODUCT SAMPLE.

### 3



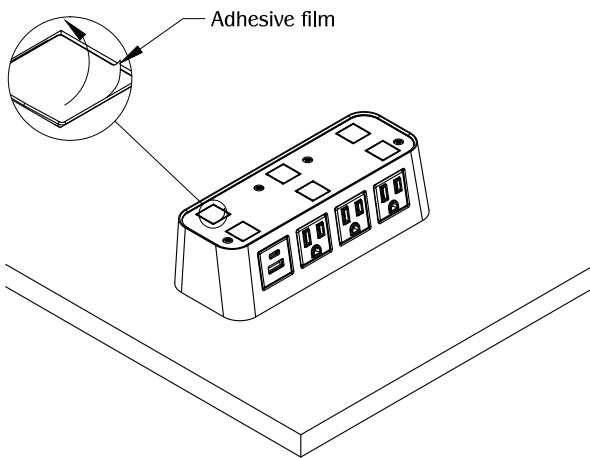
Guide the lock ring through the power cord. Secure the unit by turning the lock ring clockwise.

### 4



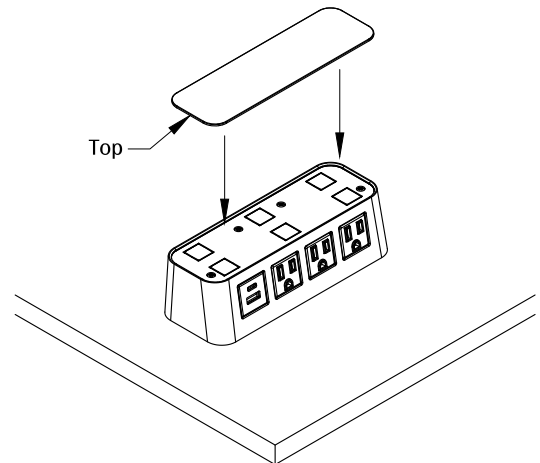
Align the (6) Snap-in adhesive pads to the top of the unit.

### 5



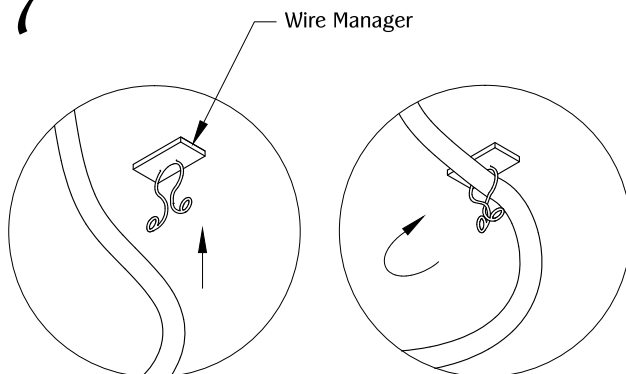
Peel off the adhesive film on all six snap-in adhesive pads.

### 6



Align the top to the unit. Make sure it is fully leveled onto the top surface. Plug the unit into a nearby outlet and unit is ready for use.

### 7



Affix optional wire manager under desk for cable management.