

PCS54F/UC-U

PROPRIETARY AND CONFIDENTIAL.
ALL DIMENSIONS HAVE A +/- 1/16" TOLERANCE UNLESS OTHERWISE SPECIFIED. WE DO NOT RECOMMEND DRILLING OR CUTTING ANY HOLES BEFORE RECEIVING A PRODUCT OR A PRODUCT SAMPLE.

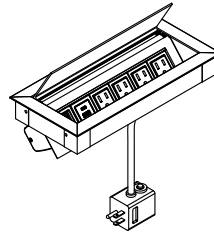
⚠ WARNING ⚠

- Do **NOT** remove tape!
- For indoor use only.
- For use on a normally dry work surface.
- If any malfunction occurs, do not attempt to disassemble or repair.
- Allow enough clearance for part operation.
- Avoid liquid spills into outlet.
- Do not insert foreign objects into the socket.
- Avoid placing the unit in a high temperature environment or near fire.

SPECIFICATIONS

- 6 ft. cord length.
- Table thickness is 3/4" MIN. to 1-3/4" MAX.
- Circuit breaker plug dimension is 1-15/32" X 1-21/32" X 2-1/16".
- USB-A and USB-C ports are for charging use only.
- Please use applicable adapter from data tree.
(SEE PCS DATA TREE PAGE FOR MORE INFORMATION.)

TABLE OF CONTENTS



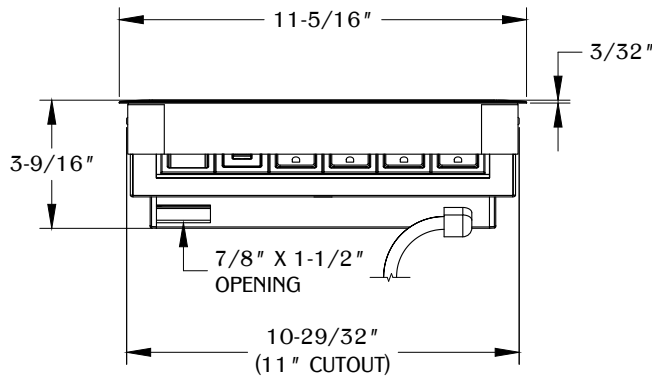
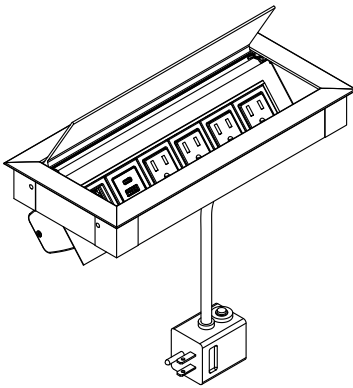
.....1X PCS54F/UC-U



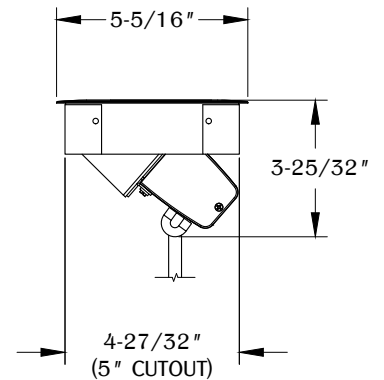
.....1X Wire Manager



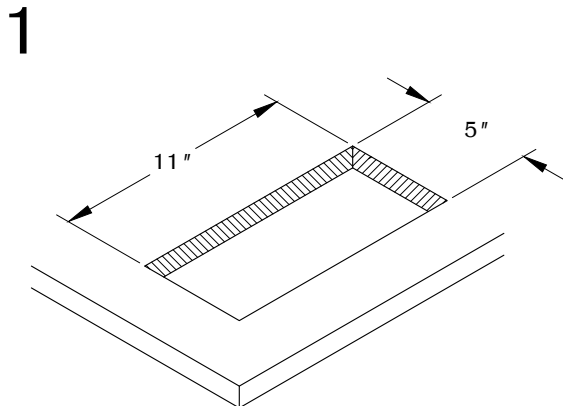
.....2X Metal Clip



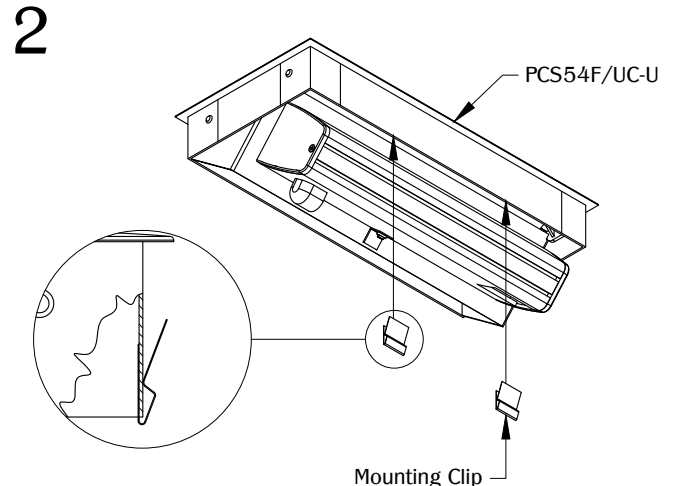
FRONT VIEW



SIDE VIEW



Determine the position and location of the PCS54F/UC-U on the work surface. Allow enough clearance for unit operation. DO NOT place unit where cable is strained or trapped. Make an 11" X 5" cutout.

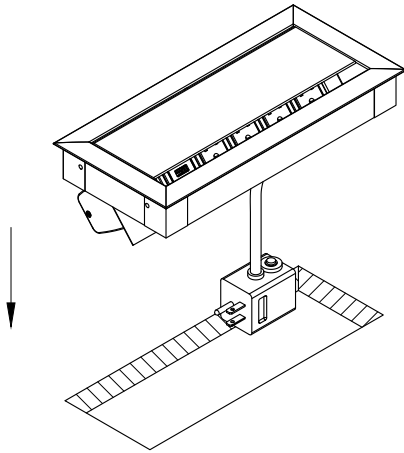


Attach the mounting clips to the back side of the frame on the PCS54F/UC-U.

PCS54F/UC-U

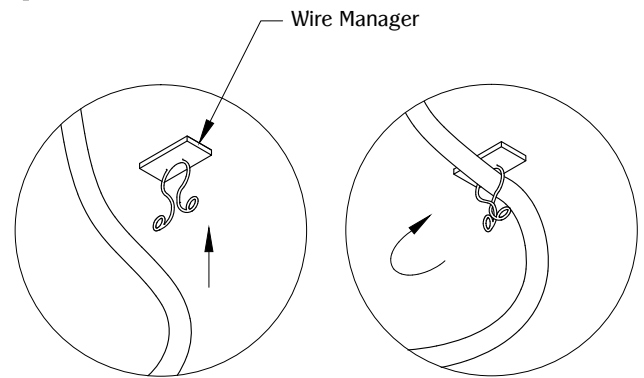
PROPRIETARY AND CONFIDENTIAL.
ALL DIMENSIONS HAVE A +/- 1/16" TOLERANCE UNLESS OTHERWISE SPECIFIED. WE DO NOT RECOMMEND DRILLING OR CUTTING ANY HOLES BEFORE RECEIVING A PRODUCT OR A PRODUCT SAMPLE.

3



Guide the power cord through the cutout. Install the unit into the cutout and make sure it is fully leveled onto the surface. Plug the power to a nearby outlet and the unit is ready for use.

4

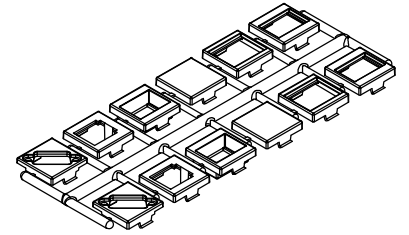


Affix optional wire manager under desk for cable management.

PCS Data Tree

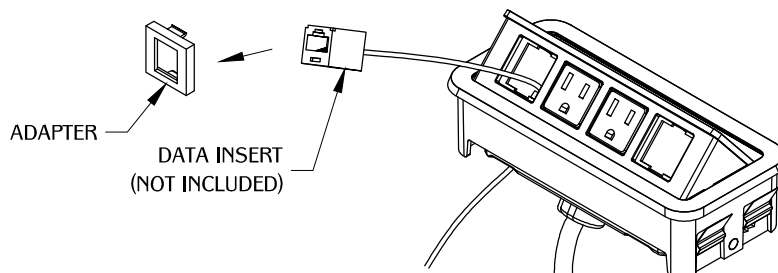
- 1.) Select the appropriate adapter from the chart below. (example: Panduit Mini-Com Series jack would use "FFF" adapter marked on back of adapter.)

*Jacks, not included, UL Listed (DUXR) or Recognized (DUXR2) jacks required.



Adapter	Manufacturer	Website
BBB	L-Com Keystone Modular	www.L-Com.com
BBB	NETCONNECT, and 110 Connect Series Modular Jack	www.Anixter.com
BBB	Siemon ZMAX Style	www.Siemon.com
BBB	Allen Tel Versa Tap Series	www.Graybar.com
BBB	Leviton Quick Port ® Series	www.Leviton.com
BBB	Belden REVConnect	www.Belden.com
BBB	HDMI Adapter Cable	www.Mockett.com
CCC	Hubbell Nextspeed™ Keystone Series	www.Hubbell-premise.com
CCC	ADC Truenet Series	www.Anixter.com
DDD	Blank (no coupler/jack)	-
EEE	Ortronics TracJack Series	www.Ortronics.com
FFF	Panduit Mini-Com Series	www.Panduit.com
HHH	Video Monitor Jack/DB-15, panel mount solder style	www.Mockett.com

- 2.) Snap Jack into adapter following the instructions provided with the jack.
 3.) Once assembled, snap adapter into the notched, square holes in the orientation shown.



NOTE: Please verify fit of jack in adapter before ordering large quantities as manufacturer designs may change without notice.