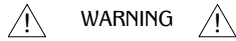


## PCS51C-U

PROPRIETARY AND CONFIDENTIAL.  
ALL DIMENSIONS HAVE A +/- 1/16" TOLERANCE UNLESS OTHERWISE SPECIFIED. WE DO NOT RECOMMEND DRILLING OR CUTTING ANY HOLES BEFORE RECEIVING A PRODUCT OR A PRODUCT SAMPLE.



### WARNING

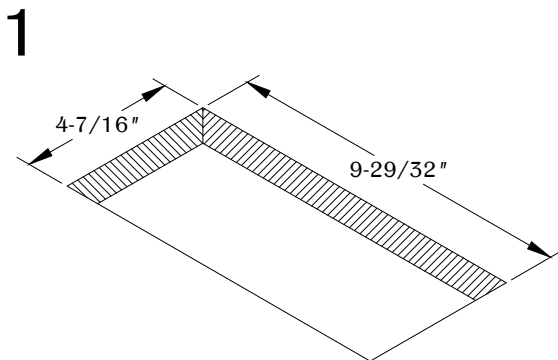
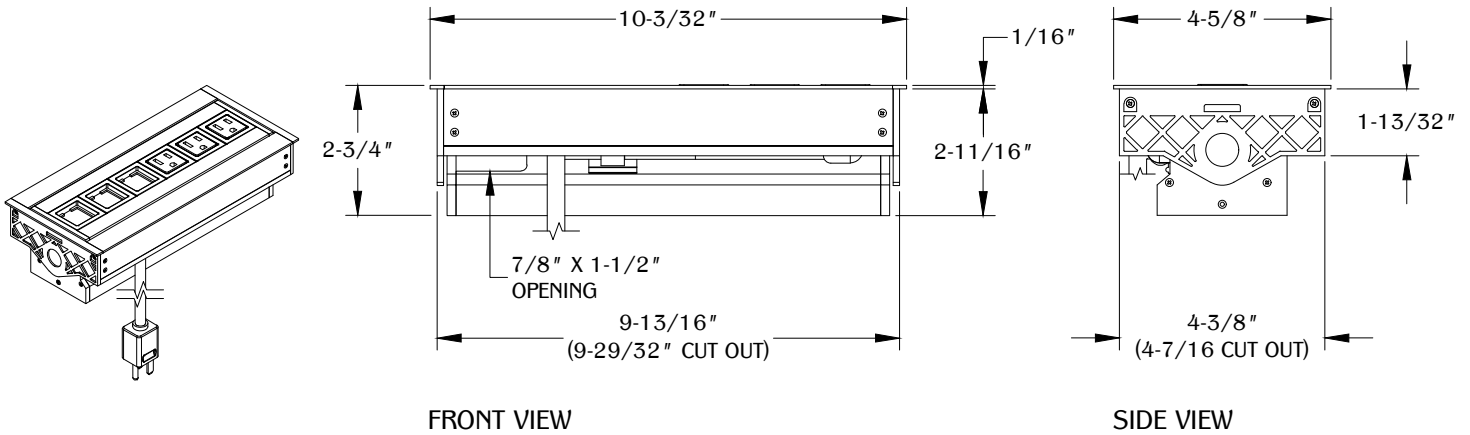
- For indoor use only.
- For use on a normally dry work surface.
- If any malfunction occurs, do not attempt to disassemble or repair.
- Allow enough clearance for part operation.
- Avoid liquid spills into outlet.
- Do not insert foreign objects into the socket.

### SPECIFICATIONS

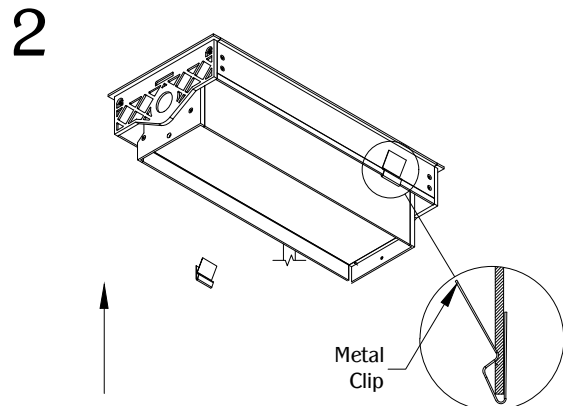
- 6 ft. cord length.
- Table thickness is 3/4" MIN. to 1-11/16" MAX.
- Plug dimension is 1-11/32" X 1-1/32" X 7/8".
- Unit cavity is 2-5/8" X 9-1/4" X 1/2".
- Please use applicable adapter from data tree.(PLEASE SEE DATA TREE PAGE FOR MORE INFORMATION.)

### TABLE OF CONTENTS

	..... 1X PCS51C-U
	..... 1X Cover Plate
	..... 2X Cable Management Clip
	..... 2X Metal Clip
	..... 1X Wire Manager
	..... 2X 3/16" No. 4 Wood Screw



Determine the position and location of the unit in the work surface. Cut the hole at 9-29/32" X 4-7/16". Place and allow enough clearance for unit operation. DO NOT place unit where the cables are strained or trapped.

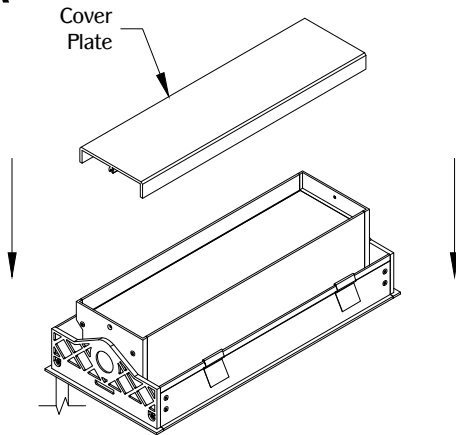


Place metal clip near the ends of the back of the unit. (NOTE: Metal clips are for use in hard surface material only as an optional mounting means.)

## PCS51C-U

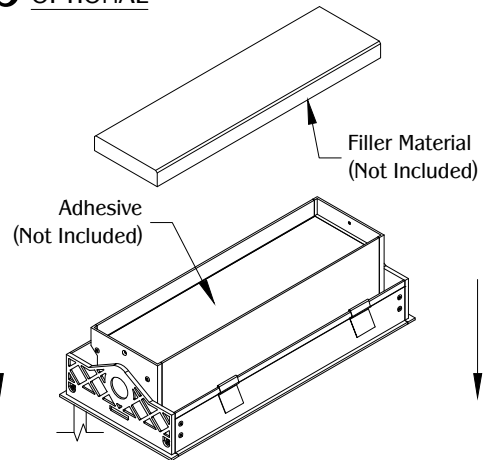
PROPRIETARY AND CONFIDENTIAL.  
ALL DIMENSIONS HAVE A +/- 1/16" TOLERANCE UNLESS OTHERWISE SPECIFIED. WE DO NOT RECOMMEND DRILLING OR CUTTING ANY HOLES BEFORE RECEIVING A PRODUCT OR A PRODUCT SAMPLE.

### 3a



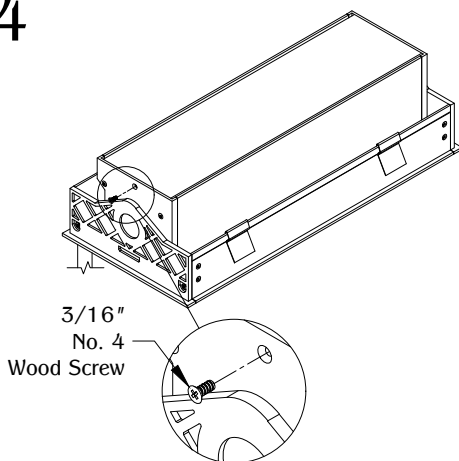
Place cover plate in unit cavity.

### 3b OPTIONAL



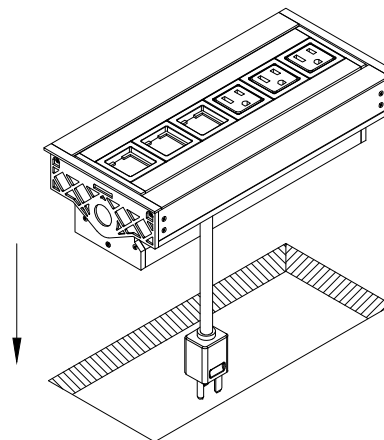
Install filler material into unit cavity using an adhesive.

### 4



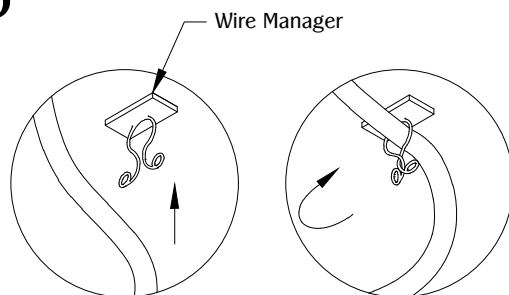
Secure with (2) 3/16" No. 4 wood screw. (Note: Use appropriate mounting hardware type depending on the filler material.)

### 5



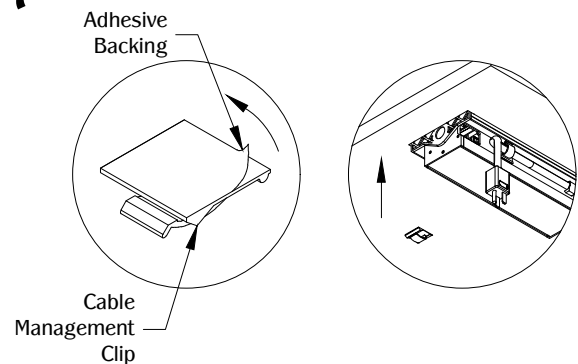
Guide the power cord through the cut out. Install the unit into the cut out and make sure it is fully leveled onto the surface.

### 6



Optional wire manager.

### 7

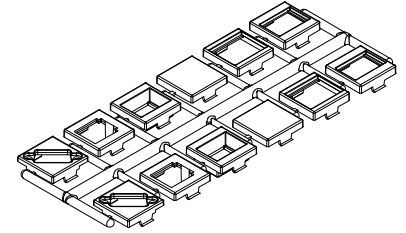


Peel adhesive backing then stick cable management clip to work surface. (Note: cable management clip is optional.)

## PCS Data Tree

PROPRIETARY AND CONFIDENTIAL.  
ALL DIMENSIONS HAVE A +/- 1/32" TOLERANCE UNLESS OTHERWISE SPECIFIED. WE DO NOT RECOMMEND DRILLING OR CUTTING ANY HOLES BEFORE RECEIVING A PRODUCT OR A PRODUCT SAMPLE.

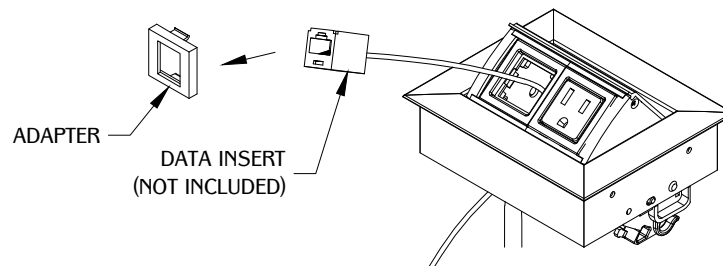
- 1.) Select the appropriate adapter from the chart below. (example: Panduit Mini-Com Series jack would use "FFF" adapter marked on back of adapter.)



\* Jacks, not included, UL Listed (DUXR) or Recognized (DUXR2) jacks required.

Adapter	Manufacturer	Website
BBB	L-Com Keystone Modular	www.L-Com.com
BBB	NETCONNECT, and 110 Connect Series Modular Jack	www.Anixter.com
BBB	Siemon ZMAX Style	www.Siemon.com
BBB	Allen Tel Versa Tap Series	www.Graybar.com
BBB	Leviton Quick Port ® Series	www.Leviton.com
BBB	Belden REVConnect	www.Belden.com
BBB	HDMI Adapter Cable	www.Mockett.com
CCC	Hubbell Nextspeed™ Keystone Series	www.Hubbell-premise.com
CCC	ADC Truenet Series	www.Anixter.com
DDD	Blank (no coupler/jack)	-
EEE	Ortronics TracJack Series	www.Ortronics.com
FFF	Panduit Mini-Com Series	www.Panduit.com
HHH	Video Monitor Jack/DB-15, panel mount solder style	www.Mockett.com

- 2.) Snap Jack into adapter following the instructions provided with the jack.
- 3.) Once assembled, snap adapter into the notched, square holes in the orientation shown.



**NOTE:** Please verify fit of jack in adapter before ordering large quantities as manufacturer designs may change without notice.