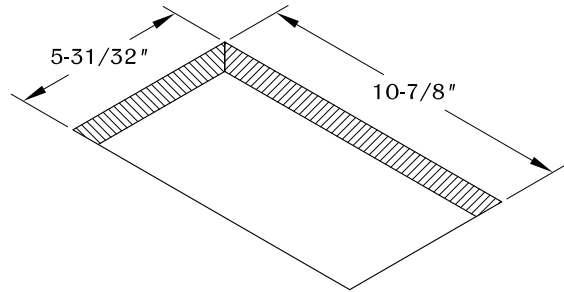


NOTE:

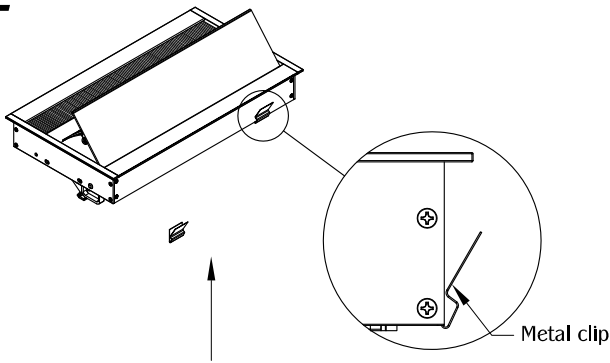
- Do **NOT** remove tape!
  - 6 ft. cord length.
  - For use on a normally dry work surface.
  - Table thickness is 3/4" MIN. to 1-11/16" MAX.
  - Plug dimension is 1-11/32" X 1-1/32" X 7/8".
  - Please use applicable adapter from data tree.
- (See PCS data tree on page 2 for more information.)

1



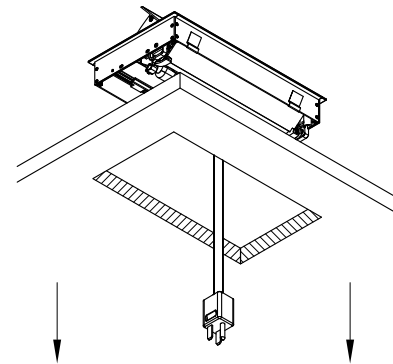
Determine the position and location of the unit on the work surface. Cut the hole at 10-7/8" X 5-31/32". Place and allow enough clearance for unit operation. **DO NOT** place unit where the cable is strained or trapped.

2



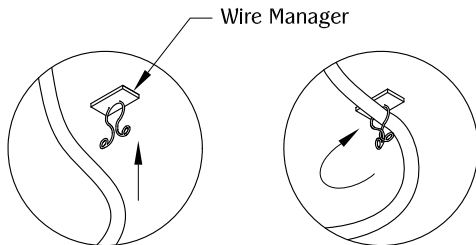
Place metal clips near the ends of the back of the unit. (NOTE: Metal clips are for use in hard surface material only as an optional mounting means.)

3



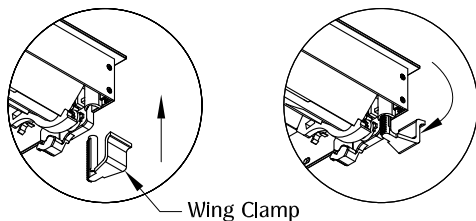
Guide the power cord through the cut out. Install the unit into the cut out and make sure it is fully leveled onto the surface.

4



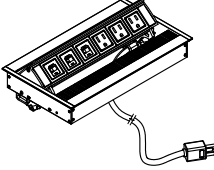



Optional wire manager.

5



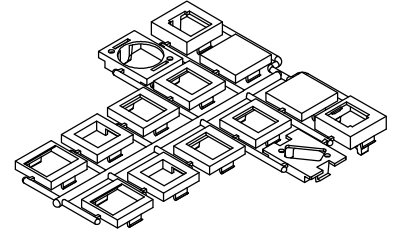
Secure unit by turning bottom wing clamp.

TABLE OF CONTENTS:

	..... 1X PCS50D
	..... 1X Wire manager
	..... 2X Metal clip
	..... 2X Wing clamp

## PCS Data Tree

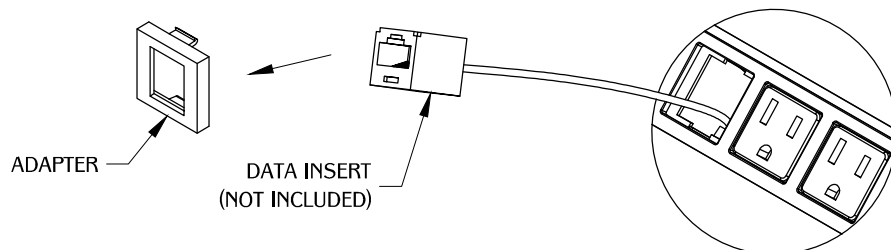
- 1.) Select the appropriate adapter from the chart below. (example: Panduit Mini-Com Series jack would use "FF" adapter marked on back of adapter.)



\* Jacks, not included, UL Listed (DUXR) or Recognized (DUXR2) jacks required.

Adapter	Manufacturer	Website
AA	Systimax/CommScope	www.Commscope.com/Systimax
AA	Uniprise/CommScope	www.Commscope.com/Systimax
BB	L-Com Keystone Modular	www.L-Com.com
BB	NETCONNECT, and 110 Connect Series Modular Jack	www.Anixter.com
BB	Siemon ZMAX Style	www.Siemon.com
BB	Allen Tel Versa Tap Series	www.Graybar.com
BB	Leviton Quick Port ® Series	www.Leviton.com
BB	Belden REVconnect	www.Belden.com
CC	Hubble Nextspeed™ Keystone Series	www.Hubbell-premise.com
DD	Blank (No coupler/jack)	-
EE	Ortronics TracJack Series	www.Ortronics.com
FF	Panduit Mini-Com Series	www.Panduit.com
GG	Microphone Jack/3-pin XLR, solder style only	www.Mockett.com
HH	Video Monitor Jack/DB-15, panel mount solder style	www.Mockett.com

- 2.) Snap Jack into adapter following the instructions provided with the jack.
- 3.) Once assembled, snap adapter into the notched, square holes in the orientation shown.



**NOTE:** Please verify fit of jack in adapter before ordering large quantities as manufacturer designs may change without notice.