

## PCS48F

PROPRIETARY AND CONFIDENTIAL.  
ALL DIMENSIONS HAVE A +/- 1/16" TOLERANCE UNLESS OTHERWISE SPECIFIED. WE DO NOT RECOMMEND DRILLING OR CUTTING ANY HOLES BEFORE RECEIVING A PRODUCT OR A PRODUCT SAMPLE.



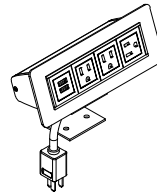
WARNING

- For indoor use only.
- For use on a normally dry work surface.
- If any malfunction occurs, do not attempt to disassemble or repair.
- Allow enough clearance for part operation.
- Avoid liquid spills into outlet.
- Do not insert foreign objects into the socket.

### SPECIFICATIONS

- 6 ft. cord length.
- Table thickness is 5/8" MIN. to 1-1/2" MAX.
- Plug dimension is 1-11/32" X 1-1/32" X 7/8".
- USB-A ports are for charging use only.

### TABLE OF CONTENTS



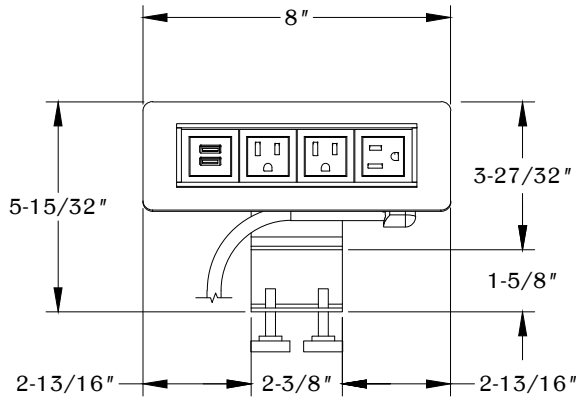
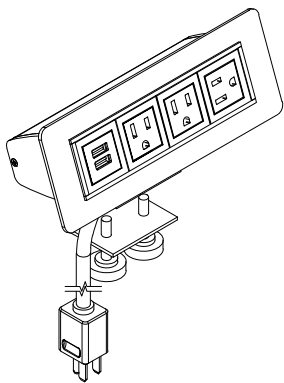
..... 1X PCS48F



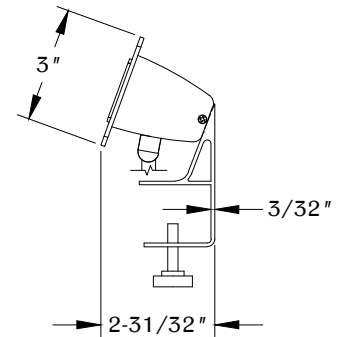
..... .2X Thumb Screw



..... .1X Wire Manager

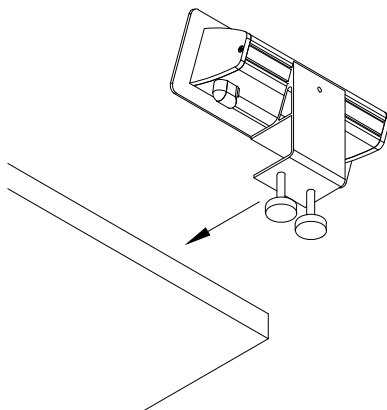


FRONT VIEW



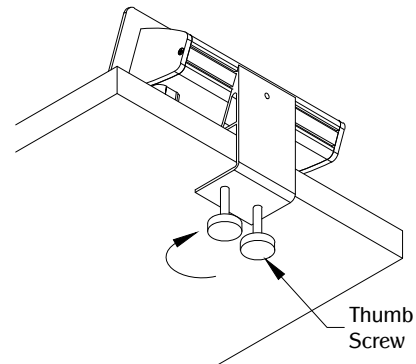
SIDE VIEW

1



Determine the position and location of the PCS48F on the edge of the work surface. DO NOT place the unit where the cable is strained or trapped.

2

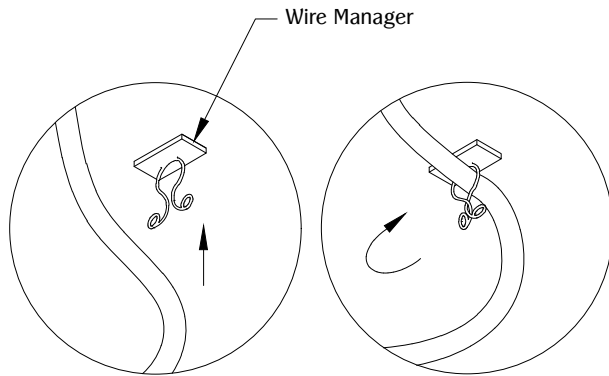


Make sure the PCS48F is fully leveled onto the work surface. Secure the unit by tightening the thumb screws into the clamp. Plug the unit into a nearby outlet and the unit is ready for use.

## PCS48F

PROPRIETARY AND CONFIDENTIAL.  
ALL DIMENSIONS HAVE A +/- 1/16" TOLERANCE UNLESS OTHERWISE SPECIFIED. WE DO NOT RECOMMEND DRILLING OR CUTTING ANY HOLES BEFORE RECEIVING A PRODUCT OR A PRODUCT SAMPLE.

### 3



Optional wire manager.