

PCS48F/UC

PROPRIETARY AND CONFIDENTIAL.
ALL DIMENSIONS HAVE A +/- 1/16" TOLERANCE UNLESS OTHERWISE SPECIFIED. WE DO NOT RECOMMEND DRILLING OR CUTTING ANY HOLES BEFORE RECEIVING A PRODUCT OR A PRODUCT SAMPLE.

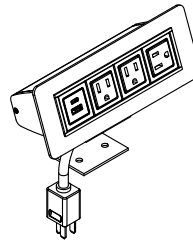
⚠ WARNING ⚠

- For indoor use only.
- For use on a normally dry work surface.
- If any malfunction occurs, do not attempt to disassemble or repair.
- Avoid placing the unit in a high temperature environment or near fire.
- Avoid liquid spills into outlet.
- Do not insert foreign objects into the socket.
- Allow enough clearance for part operation.

SPECIFICATIONS

- 6 ft. cord length.
- Table thickness is 5/8" MIN. to 1-1/2" MAX.
- Plug dimension is 1-11/32" X 1-1/32" X 7/8" .
- USB-A and USB-C ports are for charging use only.

TABLE OF CONTENTS



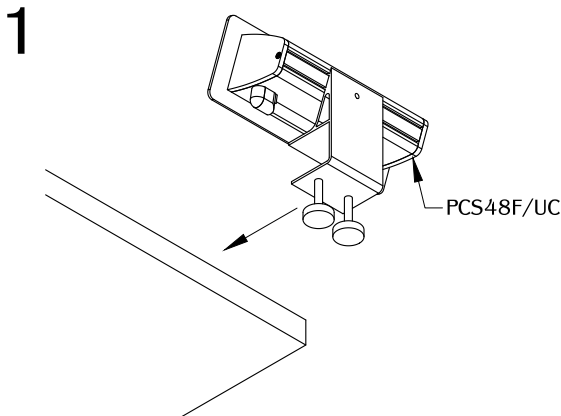
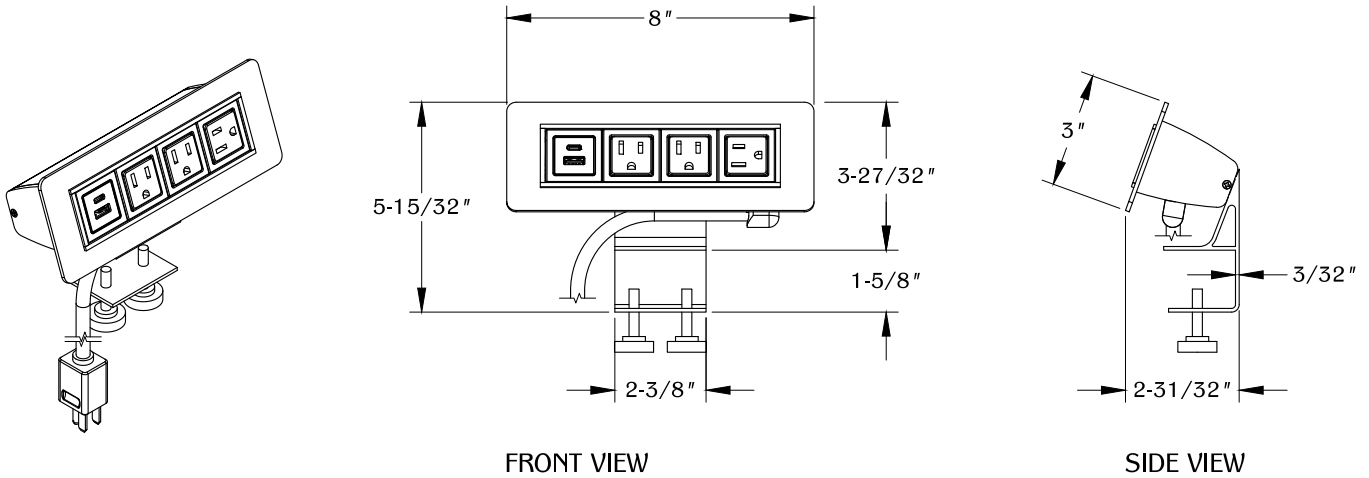
..... 1X PCS48F/UC



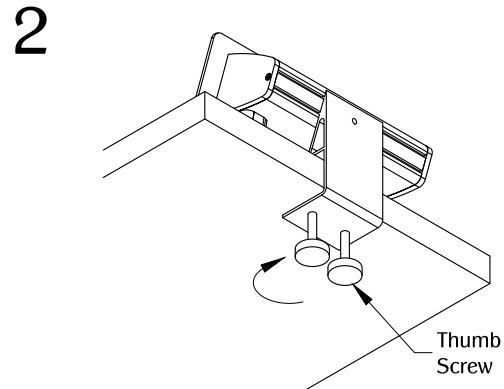
..... .2X Thumb Screw



..... .1X Wire Manager



Determine the position and location of the PCS48F/UC on the edge of the work surface. DO NOT place the unit where the cable is strained or trapped.

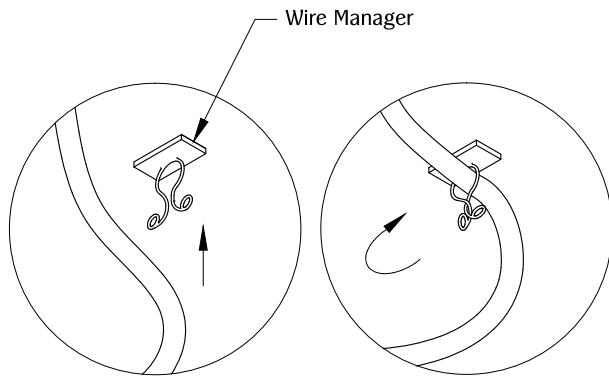


Make sure the PCS48F/UC is fully leveled onto the work surface. Secure the unit by tightening the thumb screws into the clamp. Plug the unit into a nearby outlet and the unit is ready for use.

PCS48F/UC

PROPRIETARY AND CONFIDENTIAL.
ALL DIMENSIONS HAVE A +/- 1/16" TOLERANCE UNLESS OTHERWISE SPECIFIED. WE DO NOT RECOMMEND DRILLING OR CUTTING ANY HOLES BEFORE RECEIVING A PRODUCT OR A PRODUCT SAMPLE.

3



Affix optional wire manager under desk for cable management.