

PCS48E

PROPRIETARY AND CONFIDENTIAL.
ALL DIMENSIONS HAVE A +/- 1/16" TOLERANCE UNLESS OTHERWISE SPECIFIED. WE DO NOT RECOMMEND DRILLING OR CUTTING ANY HOLES BEFORE RECEIVING A PRODUCT OR A PRODUCT SAMPLE.



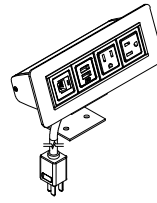
WARNING

- For indoor use only.
- For use on a normally dry work surface.
- If any malfunction occurs, do not attempt to disassemble or repair.
- Allow enough clearance for part operation.
- Avoid liquid spills into outlet.
- Do not insert foreign objects into the socket.

SPECIFICATIONS

- 6 ft. cord length.
- Table thickness is 5/8" MIN. to 1-1/2" MAX.
- Plug dimension is 1-11/32" X 1-1/32" X 7/8".
- USB-A ports are for charging use only.
- Please use applicable adapter from data tree. (PLEASE SEE DATA TREE PAGE FOR MORE INFORMATION.)

TABLE OF CONTENTS



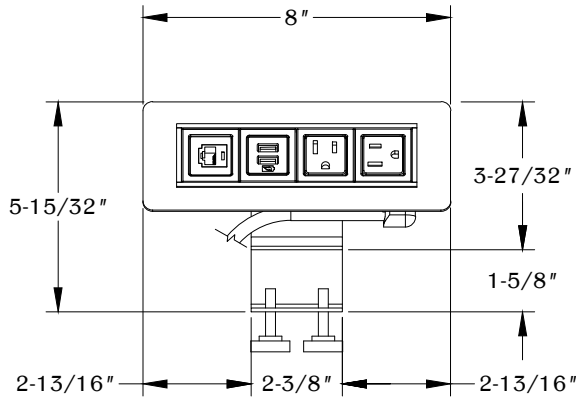
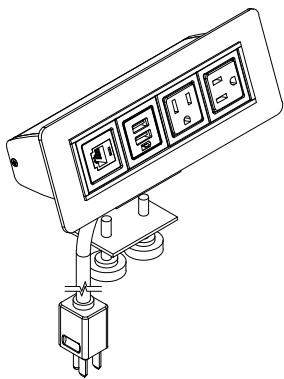
..... 1X PCS48E



..... 2X Thumb Screw



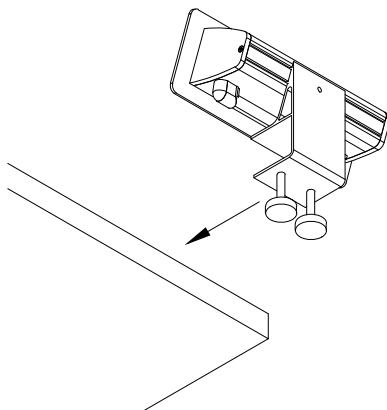
..... 1X Wire Manager



FRONT VIEW

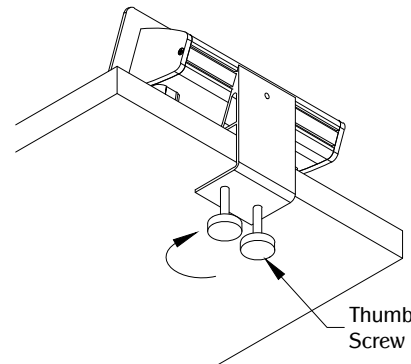
SIDE VIEW

1



Determine the position and location of the PCS48E on the edge of the work surface. DO NOT place the unit where the cable is strained or trapped.

2



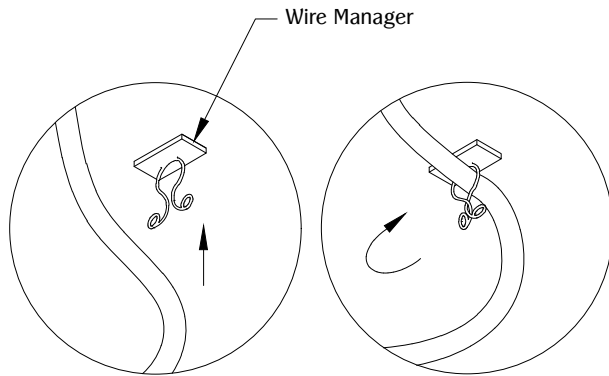
Thumb Screw

Make sure the PCS48E is fully leveled onto the work surface. Secure the unit by tightening the thumb screws into the clamp. Plug the unit into a nearby outlet and the unit is ready for use.

PCS48E

PROPRIETARY AND CONFIDENTIAL.
ALL DIMENSIONS HAVE A +/- 1/16" TOLERANCE UNLESS OTHERWISE SPECIFIED. WE DO NOT RECOMMEND DRILLING OR CUTTING ANY HOLES BEFORE RECEIVING A PRODUCT OR A PRODUCT SAMPLE.

3

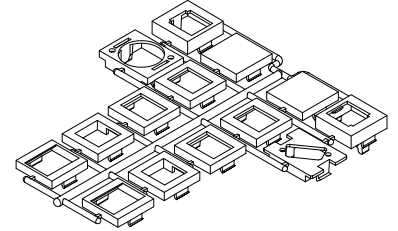


Optional wire manager.

PCS Data tree

PROPRIETARY AND CONFIDENTIAL.
ALL DIMENSIONS HAVE A +/- 1/32" TOLERANCE UNLESS OTHERWISE SPECIFIED. WE DO NOT RECOMMEND DRILLING OR CUTTING ANY HOLES BEFORE RECEIVING A PRODUCT OR A PRODUCT SAMPLE.

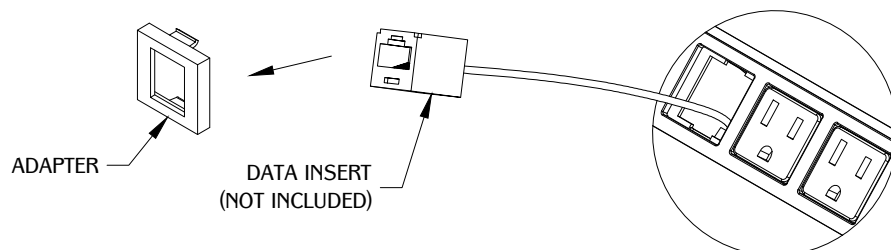
- 1.) Select the appropriate adapter from the chart below. (example: Panduit Mini-Com Series jack would use "FF" adapter marked on back of adapter.)



* Jacks, not included, UL Listed (DUXR) or Recognized (DUXR2) jacks required.

Adapter	Manufacturer	Website
AA	Systimax/CommScope	www.Commscope.com/Systimax
AA	Uniprise/CommScope	www.Commscope.com/Systimax
BB	L-Com Keystone Modular	www.L-Com.com
BB	NETCONNECT, and 110 Connect Series Modular Jack	www.Anixter.com
BB	Siemon ZMAX Style	www.Siemon.com
BB	Allen Tel Versa Tap Series	www.Graybar.com
BB	Leviton Quick Port ® Series	www.Leviton.com
BB	Belden REVconnect	www.Belden.com
CC	Hubble Nextspeed™ Keystone Series	www.Hubbell-premise.com
DD	Blank (No coupler/jack)	-
EE	Ortronics TracJack Series	www.Ortronics.com
FF	Panduit Mini-Com Series	www.Panduit.com
GG	Microphone Jack/3-pin XLR, solder style only	www.Mockett.com
HH	Video Monitor Jack/DB-15, panel mount solder style	www.Mockett.com

- 2.) Snap Jack into adapter following the instructions provided with the jack.
- 3.) Once assembled, snap adapter into the notched, square holes in the orientation shown.



NOTE: Please verify fit of jack in adapter before ordering large quantities as manufacturer designs may change without notice.