

PCS34/USB

PROPRIETARY AND CONFIDENTIAL.
ALL DIMENSIONS HAVE A +/- 1/16" TOLERANCE UNLESS OTHERWISE SPECIFIED. WE DO NOT RECOMMEND DRILLING OR CUTTING ANY HOLES BEFORE RECEIVING A PRODUCT OR A PRODUCT SAMPLE.



WARNING

- To reduce the risk of electric shock use only indoors.
- Risk of electric shock. Do not plug into another relocatable power tap.
- For use on a normally dry work surface.
- If any malfunction occurs, do not attempt to disassemble or repair.
- Avoid placing the unit in a high temperature environment or near fire.
- Avoid liquid spills into outlet.
- Do not insert foreign objects into the socket.
- Allow enough clearance for part operation.
- For counter top mounting.
- Do not plug in equipment that exceeds the amperage rating of the unit.
- Do not attempt to close the unit with power cords still connected to the outlets.
- Never force the unit down or up - always check that there are no obstructions which would interfere with the operation of the unit before using or stowing the unit.

SPECIFICATIONS

- 9 ft. cord length.
- USB-A ports are for charging use only.
- Table thickness is 1/2" MIN. to 2" MAX.
- Minimum clearance required under the work surface is 14" .

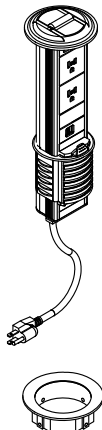
MAINTENANCE AND CARE

- Ensure unit is disconnected prior to cleaning.
- Clean the unit with a damp cloth and dry immediately.
- Do not use harsh chemical solvents.

NOTE

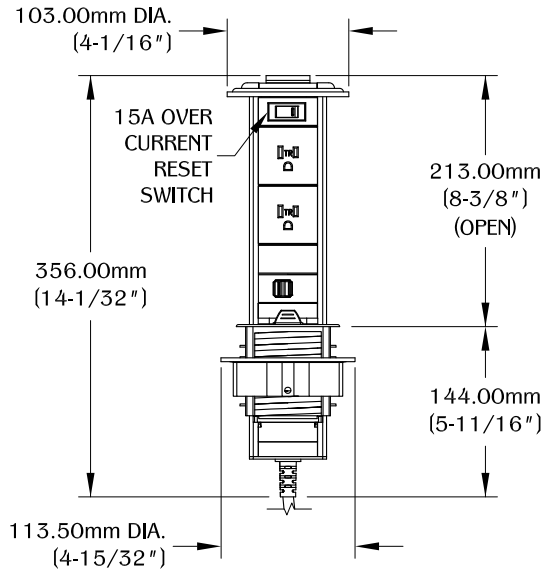
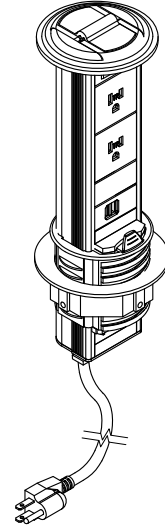
The PCS34/USB has a protection rating of IP54 (CATEGORY 2) in accordance with BS EN60529: 1992 when in the retracted position only. This prevent any water ingress into the unit from splashing water and also provides dust protection. Care should be taken to prevent the possibility of water ingress into the unit during use. The unit should be connected to a power supply with a ground fault circuit interrupter (GFCI) device.

TABLE OF CONTENTS

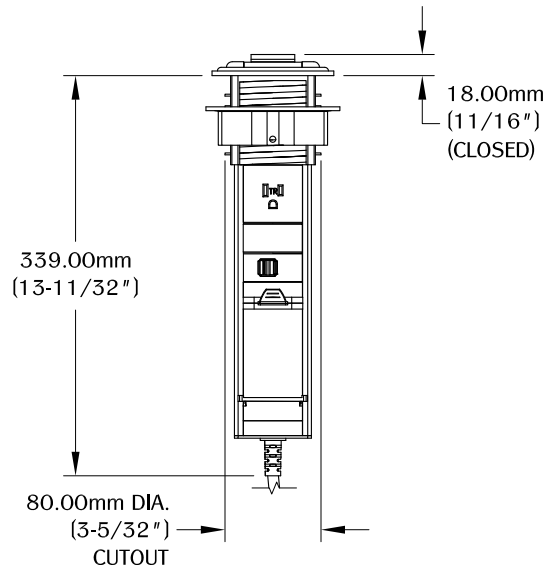


..... 1X PCS34/USB

..... 1X Lock Ring



FRONT VIEW (OPEN)

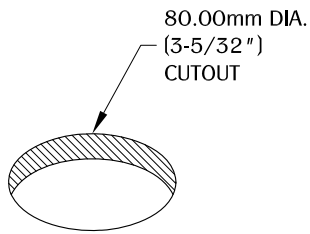


FRONT VIEW (CLOSED)

PCS34/USB

PROPRIETARY AND CONFIDENTIAL.
ALL DIMENSIONS HAVE A +/- 1/16" TOLERANCE UNLESS OTHERWISE SPECIFIED. WE DO NOT RECOMMEND DRILLING OR CUTTING ANY HOLES BEFORE RECEIVING A PRODUCT OR A PRODUCT SAMPLE.

1

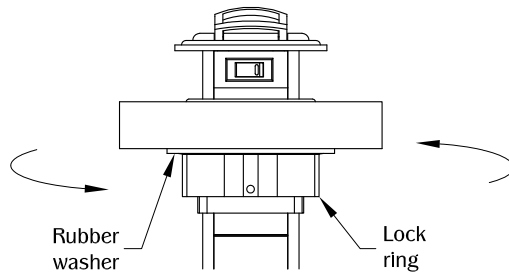


NOTE:

- Minimum clearance required under the work surface is 14".

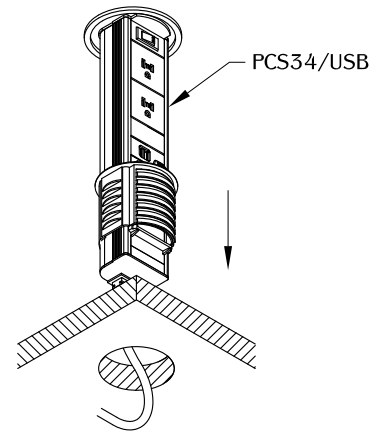
Determine the position and location of the PCS34/USB on the work surface. Allow enough clearance for unit operation. DO NOT place unit where the cable is strained or trapped. Make a 80.00mm DIA. (3-5/32" DIA.) cut out.

3



Guide the power cord through the lock ring underneath the work surface. Secure the threaded lock ring onto mounting collar by turning clockwise. Locking ring should rotate smoothly if properly engaged. If not, the locking ring may be cross-threaded - undo and try again. Ensure rubber washer is tightly compressed against the underside of work surface.

2



Remove the threaded lock ring with the rubber washer. Guide the power cord through the cutout. Install the unit into the cutout. Make sure it is fully leveled onto the work surface.