

PROPRIETARY AND CONFIDENTIAL. All dimensions have a (+/-) 1/32" tolerance unless otherwise specified. We do not recommend drilling or cutting any holes before receiving a product or a product sample.

⚠ WARNING ⚠

- For indoor use only.
- Must use supplied power adapter only.
- USB-C with 65W located at the bottom of the unit can be used as an alternative power input.
- For use on a normally dry work surface.
- If any malfunction occurs, do not attempt to disassemble or repair.
- Avoid placing the charger in a high temperature environment or near fire.
- Avoid liquid spills into outlet.
- Do not insert foreign objects into the socket.

SPECIFICATIONS

- AC Power adapter and power cord total length is 8 ft.
- USB-A and USB-C ports are for charging use only.
- USB-A output is 30W MAX.
- USB-C output is 65W MAX.
- USB-A + USB-C: 18W + 45W (63W MAX.)
- Recommended table thickness is 13/32" (10.00mm) MIN. to 1-31/32" (50.00mm) MAX.
- Recommended cutout is 1-31/32" DIA. (50.00mm).
- AC Power adapter dimension is 4-9/16" X 2-7/32" X 1-5/16".
- Minimum clearance required is 5-29/32" (150.00mm) under the work surface.

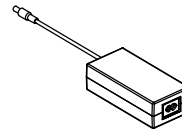
TABLE OF CONTENTS



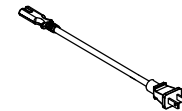
..... 1X PCS146



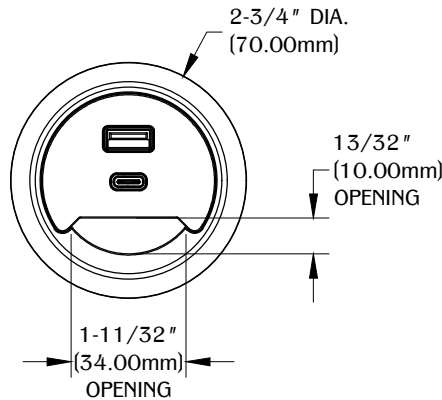
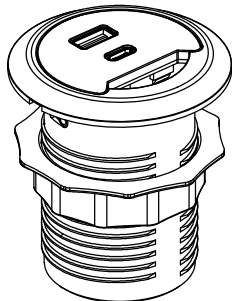
..... 1X Lock Ring



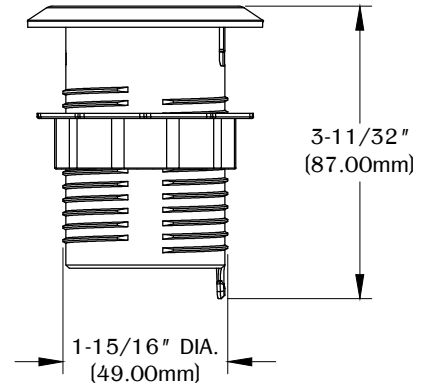
..... 1X AC Power Adapter



..... 1X Power Cord

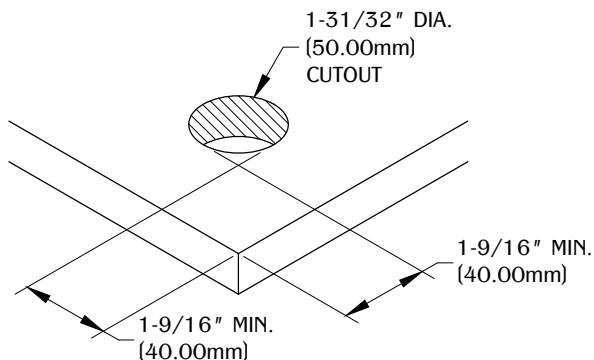


TOP VIEW



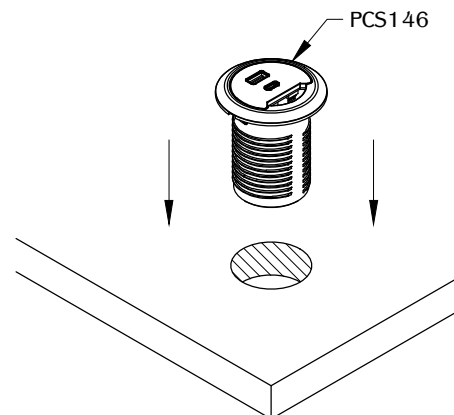
FRONT VIEW

1



Make a cutout in the desired location on your work surface. Allow enough clearance for unit operation. DO NOT place unit where cable is strained or trapped.

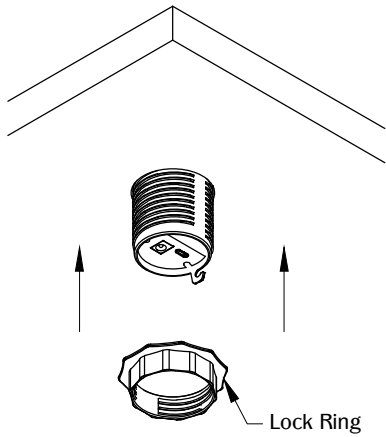
2



Install the PCS146 into the cutout and make sure it is fully leveled onto the work surface.

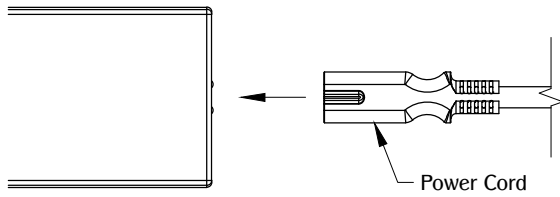
PROPRIETARY AND CONFIDENTIAL. All dimensions have a (+/-) 1/32" tolerance unless otherwise specified. We do not recommend drilling or cutting any holes before receiving a product or a product sample.

3



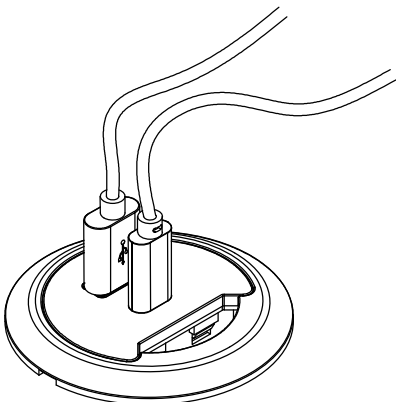
Secure the unit by turning the lock ring clockwise.

5



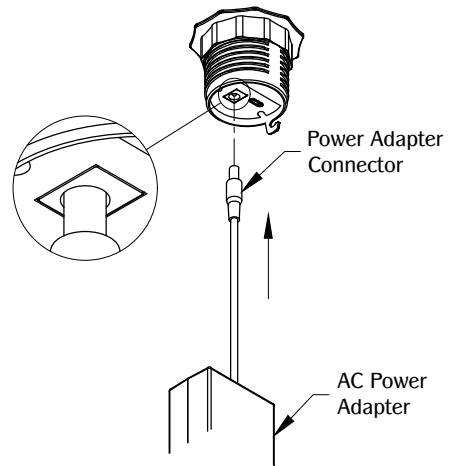
Plug power cord into AC power adapter.

7



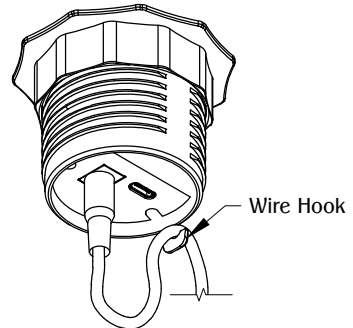
USB ports illuminate blue light when in use.

4



Plug AC power adapter connector into the bottom of the PCS146.

6



Use the wire hook to secure the power adapter connector cord. Plug power cord into a nearby outlet and unit is ready for use.