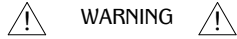


## PCS138 Series

PROPRIETARY AND CONFIDENTIAL.  
ALL DIMENSIONS HAVE A +/- 1/32" TOLERANCE UNLESS OTHERWISE SPECIFIED. WE DO NOT RECOMMEND DRILLING OR CUTTING ANY HOLES BEFORE RECEIVING A PRODUCT OR A PRODUCT SAMPLE.



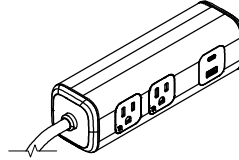
WARNING

- For indoor use only.
- For use on a normally dry work surface.
- If any malfunction occurs, do not attempt to disassemble or repair.
- Allow enough clearance for part operation.
- Avoid liquid spills into outlet.
- Do not insert foreign objects into the socket.
- Avoid placing the charger in a high temperature environment or near fire.

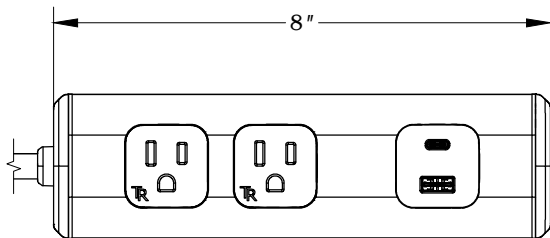
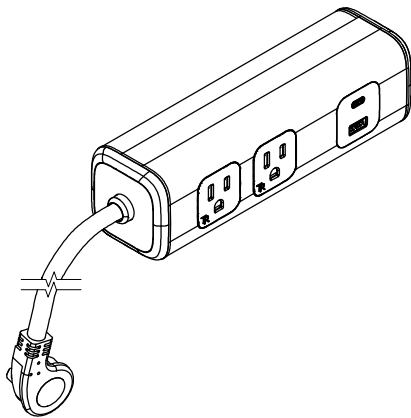
### SPECIFICATIONS

- 10 ft. cord length.
- USB-A and USB-C ports are for charging use only.

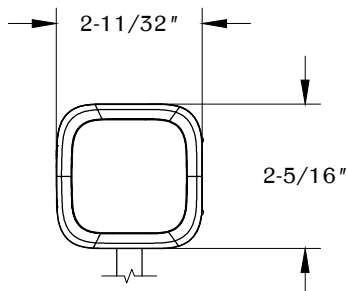
### PCS138 TABLE OF CONTENTS



..... 1X PCS138

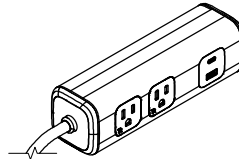


FRONT VIEW

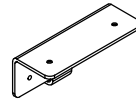


RIGHT VIEW

### PCS138/U TABLE OF CONTENTS



..... 1X PCS138

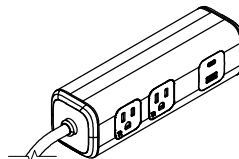


..... 1X Mounting Bracket

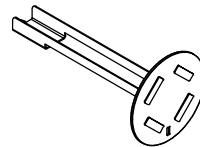


..... 2X Thumb Screw

### PCS138/S TABLE OF CONTENTS



..... 1X PCS138



..... 1X Stand



..... 2X Thumb Screw



..... 1X Wire Manager



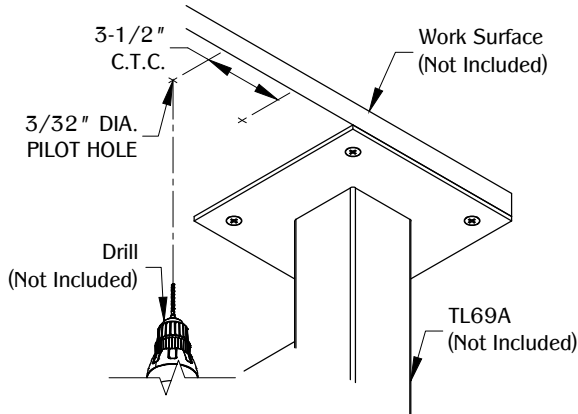
..... 1X PCS138 Strap

## PCS138 Series

PROPRIETARY AND CONFIDENTIAL.

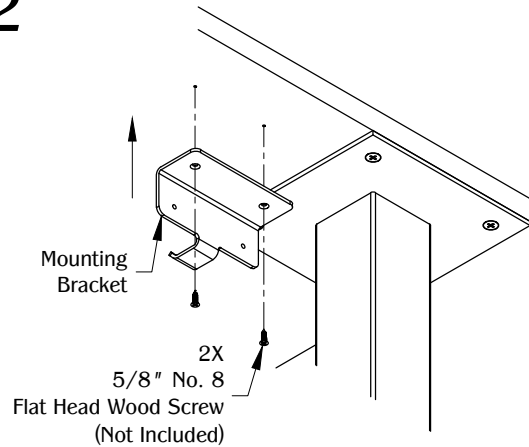
ALL DIMENSIONS HAVE A +/- 1/32" TOLERANCE UNLESS OTHERWISE SPECIFIED. WE DO NOT RECOMMEND DRILLING OR CUTTING ANY HOLES BEFORE RECEIVING A PRODUCT OR A PRODUCT SAMPLE.

### 1 Under Mount



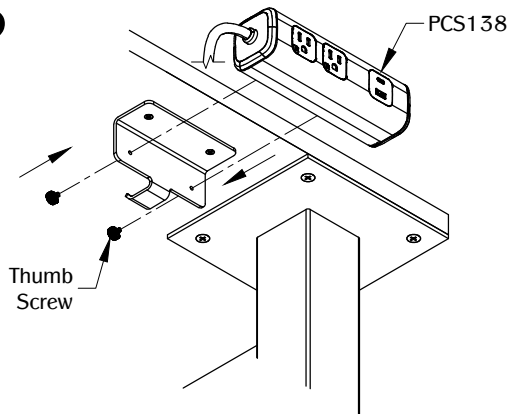
Determine the position and location of the PCS138 underneath the edge of the work surface. DO NOT place unit where the cable is strained or trapped. Allow enough clearance from the edge.

### 2



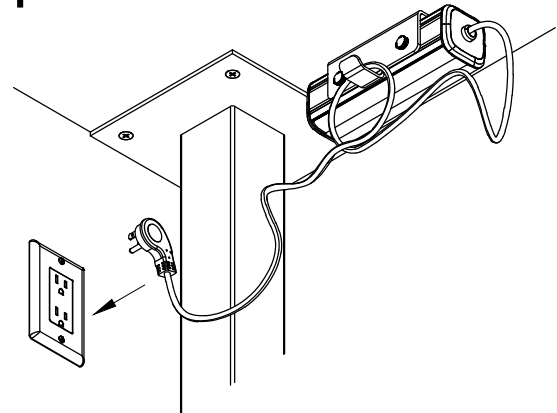
Secure mounting bracket with (2) 5/8" No. 8 flat head wood screws. (Note: Use the appropriate mounting hardware type and length depending on the material and thickness of the work surface.)

### 3



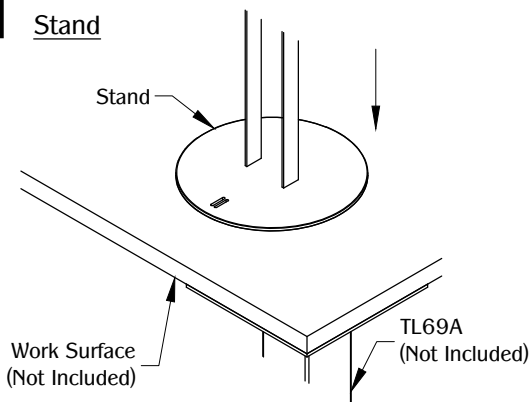
Align the PCS138 and (2) thumb screws with the holes on the mounting bracket. Secure unit by tightening the (2) thumb screws.

### 4



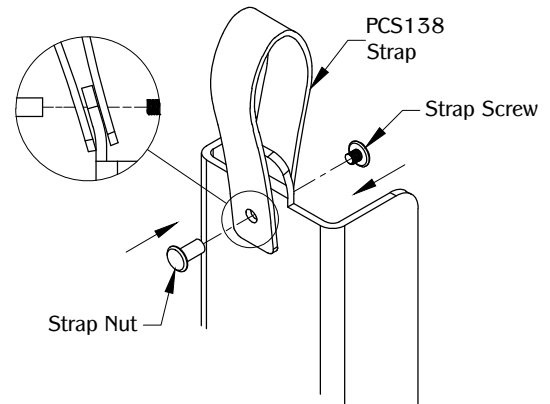
Plug the unit into a nearby outlet and the unit is ready for use.

### 1 Stand



Determine the position and location of the stand on the work surface. DO NOT place stand where the unit cable is strained or trapped.

### 2

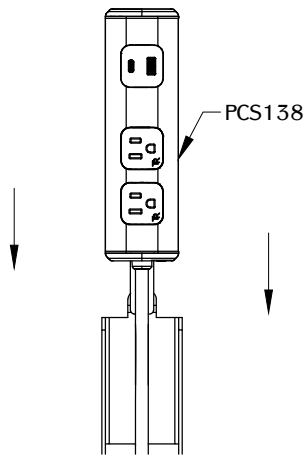


Secure PCS138 strap to the stand with the strap nut and strap screw.

## PCS138 Series

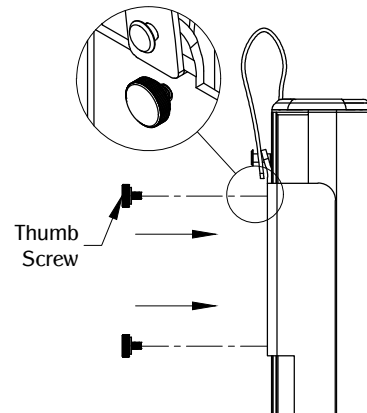
PROPRIETARY AND CONFIDENTIAL.  
ALL DIMENSIONS HAVE A +/- 1/32" TOLERANCE UNLESS OTHERWISE SPECIFIED. WE DO NOT RECOMMEND DRILLING OR CUTTING ANY HOLES BEFORE RECEIVING A PRODUCT OR A PRODUCT SAMPLE.

### 3



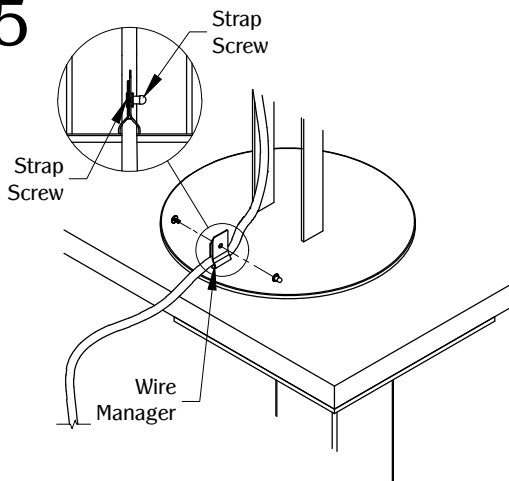
Align the holes on the PCS138 to the holes on the stand.

### 4



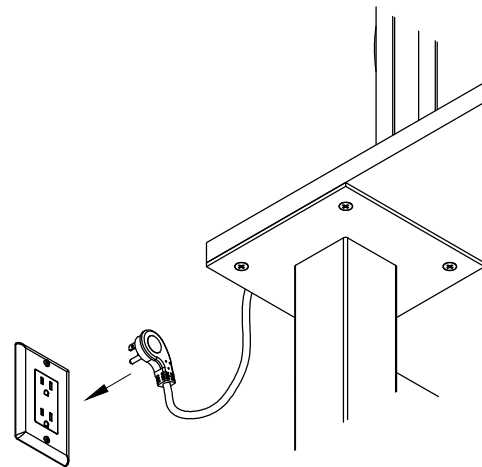
Secure unit by tightening the (2) thumb screws.

### 5



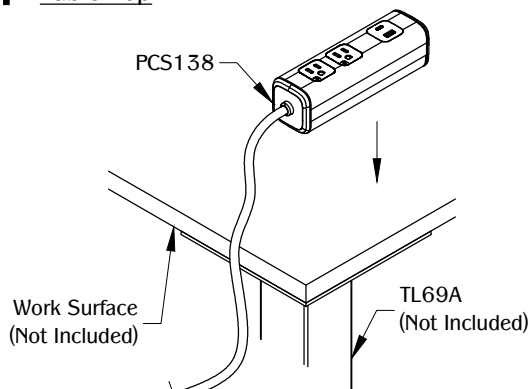
Thread the wire manager thru the slots in the base, place the the cord between the straps end and secure with the strap nut and strap screw.

### 6



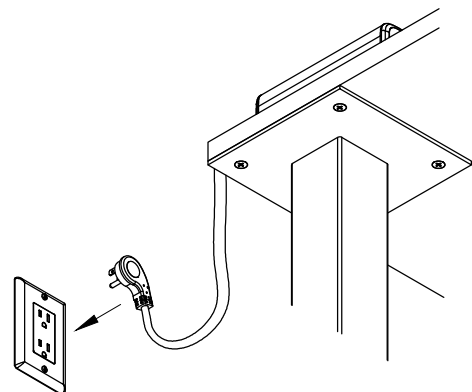
Plug the unit into a nearby outlet and the unit is ready for use.

### 1 Table Top



Determine the position and location of the unit on the work surface. DO NOT place unit where the cable is strained or trapped.

### 2



Plug the unit into a nearby outlet and the unit is ready for use.