

PROPRIETARY AND CONFIDENTIAL. All dimensions have a (+/-) 1/16" tolerance unless otherwise specified. We do not recommend drilling or cutting any holes before receiving a product or a product sample.

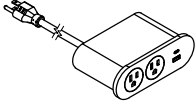
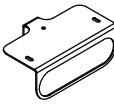



**⚠ WARNING ⚠**

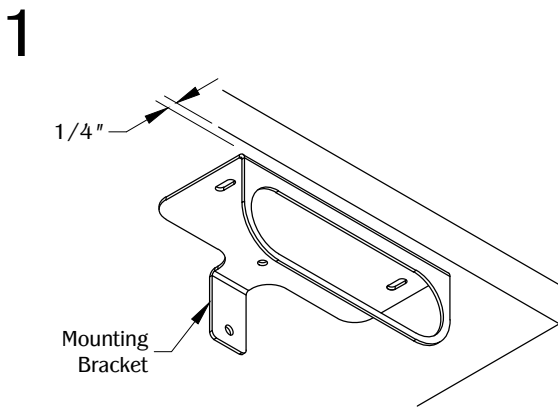
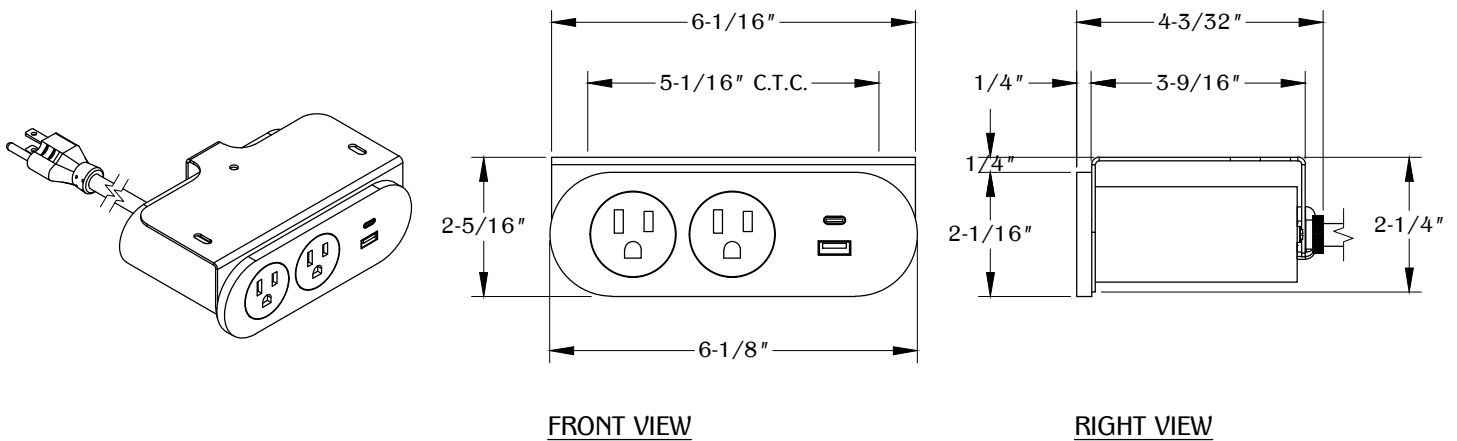
- For indoor use only.
- For use on a normally dry work surface.
- If any malfunction occurs, do not attempt to disassemble or repair.
- Allow enough clearance for part operation.
- Avoid liquid spills into outlet.
- Do not insert foreign objects into the socket.
- Avoid placing the charger in a high temperature environment or near fire.

**SPECIFICATIONS**

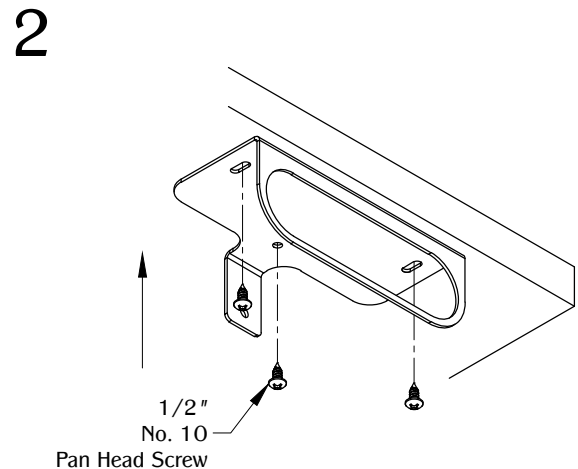
- 9 ft. cord length.
- USB-A and USB-C ports are for charging use only.
- Recommended table thickness is 1/2" MIN.

**TABLE OF CONTENTS**

	..... 1X PCS124C/UC/U
	..... 1X Mounting Bracket
	..... 3X 1/2" No. 10 Pan Head Screw
	..... 2X Wire Manager
	..... 1X 10-32 Thread Plastic Thumb Nut



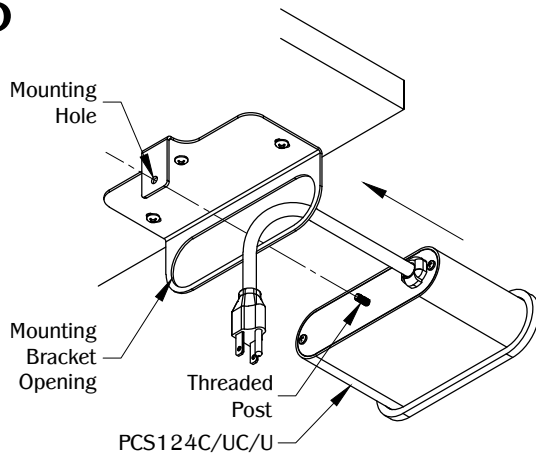
Determine the position and location of the mounting bracket underneath the edge of the work surface. DO NOT place unit where the cable is strained or trapped. Allow 1/4" clearance from the edge.



Use the (3) 1/2" No. 10 pan head screws to secure the mounting bracket under the work surface.

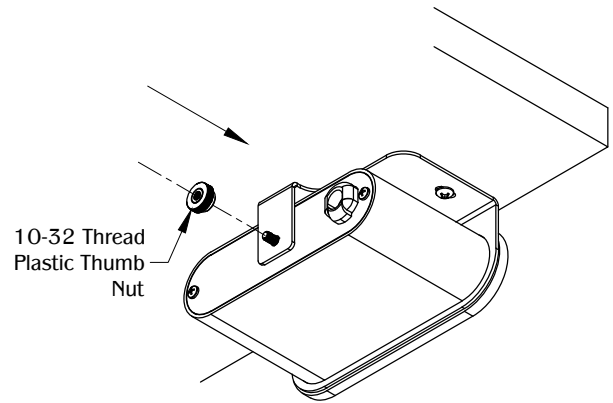
PROPRIETARY AND CONFIDENTIAL. All dimensions have a (+/-) 1/16" tolerance unless otherwise specified. We do not recommend drilling or cutting any holes before receiving a product or a product sample.

### 3



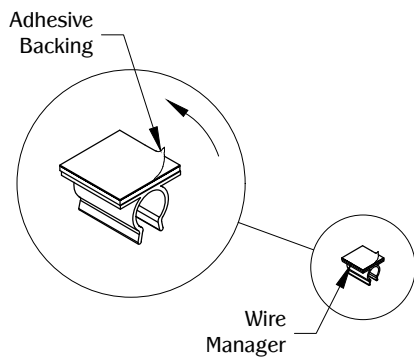
Guide the PCS124C/UC/U through the opening on the mounting bracket. Align the threaded post to the mounting hole at the back of the mounting bracket.

### 4



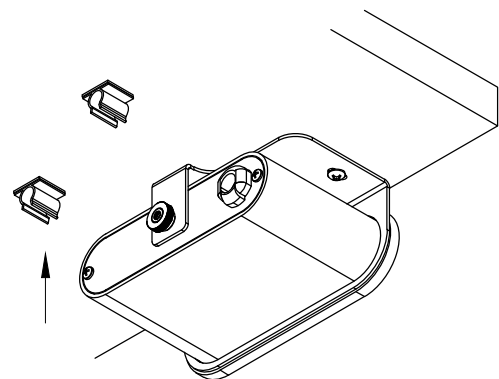
Use the 10-32 thread plastic thumb nut to secure the unit in the mounting bracket.

### 5



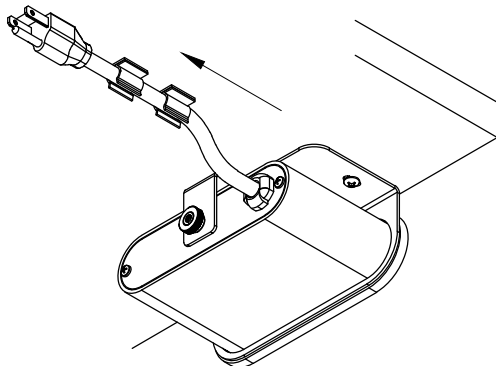
Peel adhesive backing from the wire managers.

### 6



Place wire managers under the work surface.

### 7



Place power cord into the wire managers. Plug the unit into a nearby outlet and the unit is ready for use.