

PCS124B/UC/U

PROPRIETARY AND CONFIDENTIAL.
ALL DIMENSIONS HAVE A +/- 1/16" TOLERANCE UNLESS OTHERWISE SPECIFIED. WE DO NOT RECOMMEND DRILLING OR CUTTING ANY HOLES BEFORE RECEIVING A PRODUCT OR A PRODUCT SAMPLE.

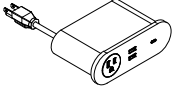
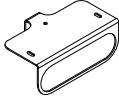



⚠ WARNING ⚠

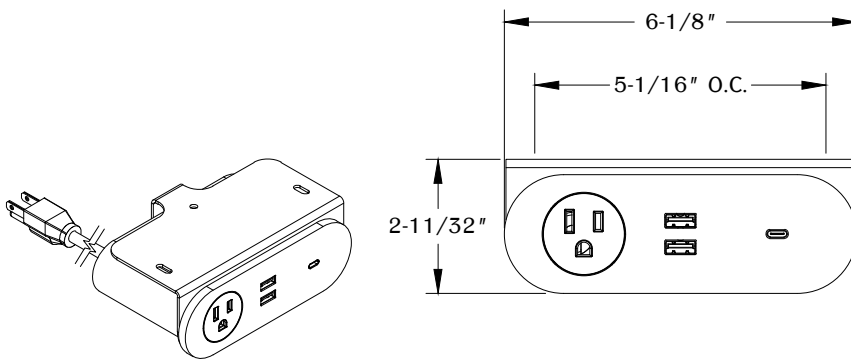
- For indoor use only.
- For use on a normally dry work surface.
- If any malfunction occurs, do not attempt to disassemble or repair.
- Avoid placing the charger in a high temperature environment or near fire.

SPECIFICATIONS

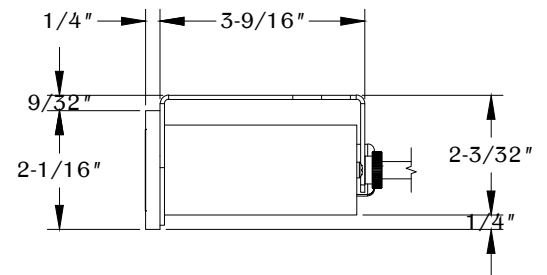
- 9 ft. cord length.
- USB-A and USB-C are for charging use only.

TABLE OF CONTENTS

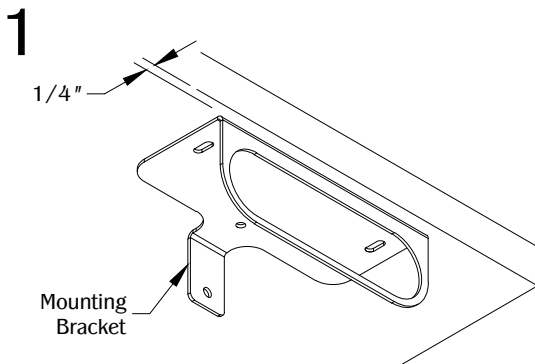
 1X PCS124B/UC/U
 1X Mounting Bracket
 3X 1/2" No. 10 Pan Head Screw
 2X Wire Manager
 1X Plastic Thumb Nut



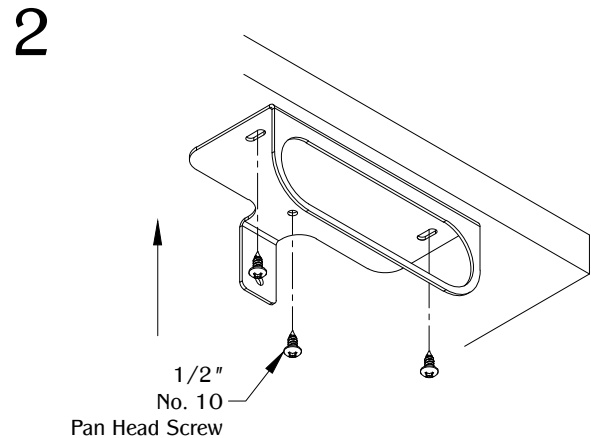
FRONT VIEW



SIDE VIEW



Determine the position and location of the mounting bracket underneath the edge of the work surface. DO NOT place unit where the cable is strained or trapped. Allow 1/4" clearance from the edge.

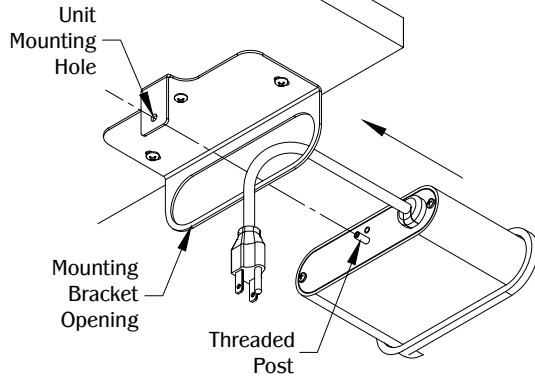


Use the (3) 1/2" No. 10 pan head screws to secure the mounting bracket under the work surface.

PCS124B/UC/U

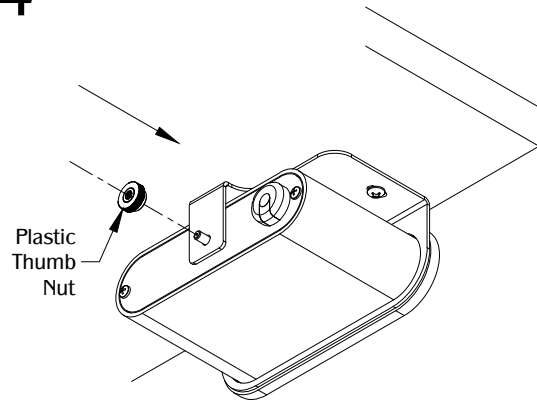
PROPRIETARY AND CONFIDENTIAL.
ALL DIMENSIONS HAVE A +/- 1/16" TOLERANCE UNLESS OTHERWISE SPECIFIED. WE DO NOT RECOMMEND DRILLING OR CUTTING ANY HOLES BEFORE RECEIVING A PRODUCT OR A PRODUCT SAMPLE.

3



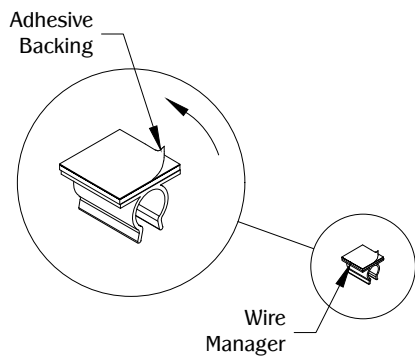
Guide the PCS124B/UC/U through the opening on the mounting bracket. Align the threaded post to the hole at the back of the mounting bracket.

4



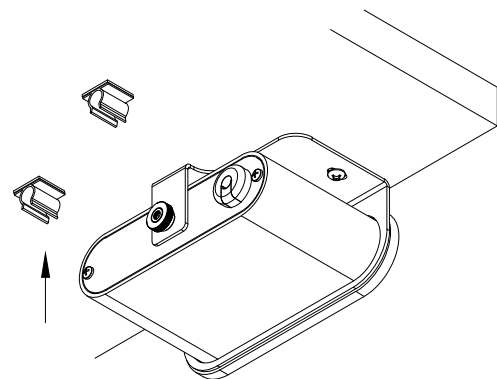
Use the plastic thumb nut to secure the unit in the mounting bracket. Plug the unit into nearby outlet and the unit is ready for use.

5



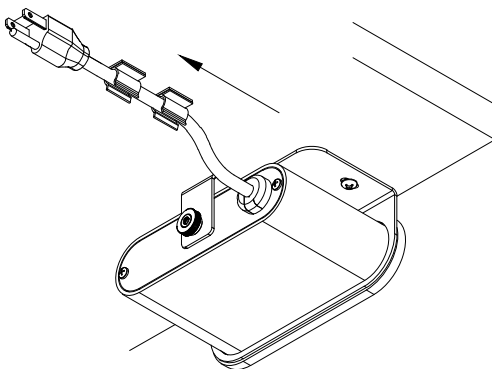
Peel adhesive backing from wire managers.

6



Place wire managers under work surface.

7



Place wires through wire managers. Plug the unit into a nearby outlet and the unit is ready for use.