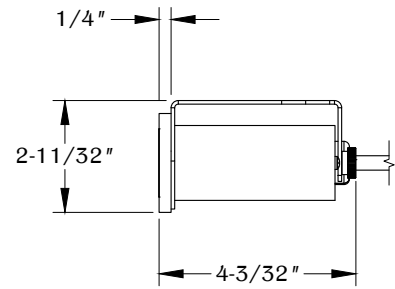
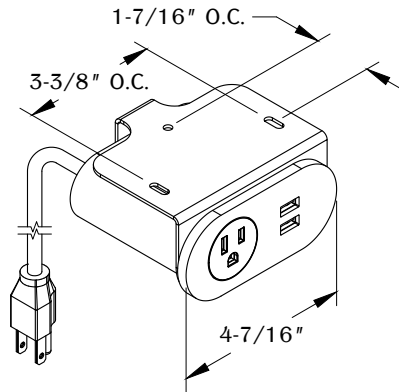
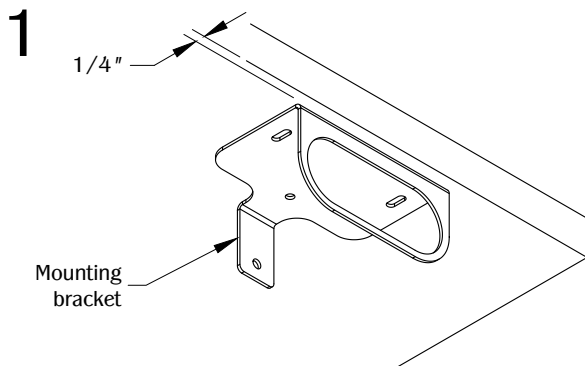


NOTE:

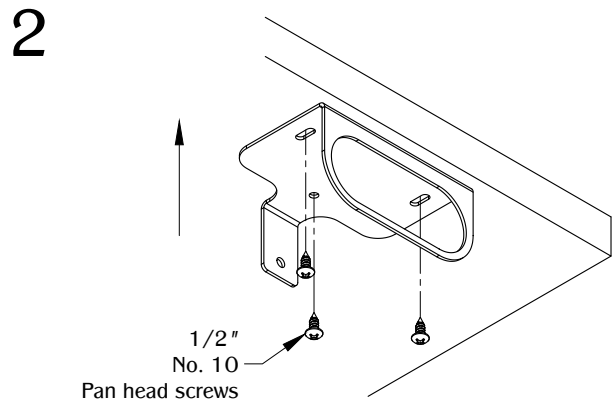
- 9 ft. cord length.
- USB-A ports are for charging use only.



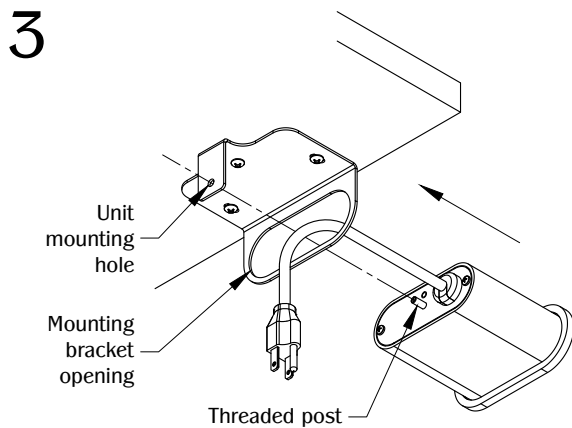
SIDE VIEW



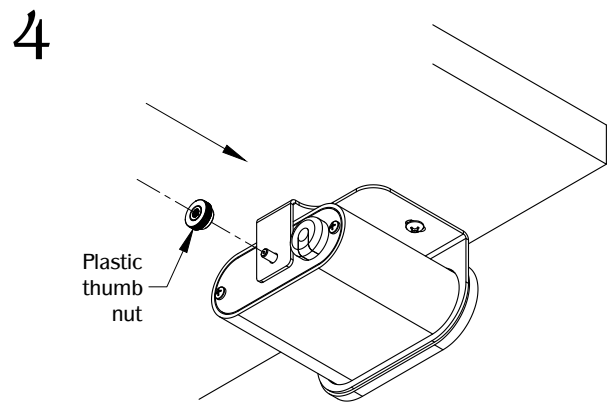
Determine the position and location of the mounting bracket underneath the edge of the work surface. **DO NOT** place unit where the cable is strained or trapped. Allow 1/4" clearance from the edge.



Use the (3) 1/2" No. 10 pan head screws to secure the mounting bracket under the work surface.

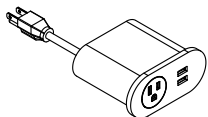


Guide the PCS124A/UNMT through the opening on the mounting bracket. Align the threaded post to the hole at the back of the mounting bracket.

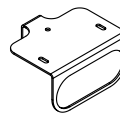


Use the plastic thumb nut to secure the unit in the mounting bracket. Plug the unit into a nearby outlet and the unit is ready for use.

TABLE OF CONTENTS:



.....1X PCS124A/UNMT



.....1X Mounting bracket



.....3X 1/2"
No. 10 Pan head screws



.....1X Plastic thumb nut